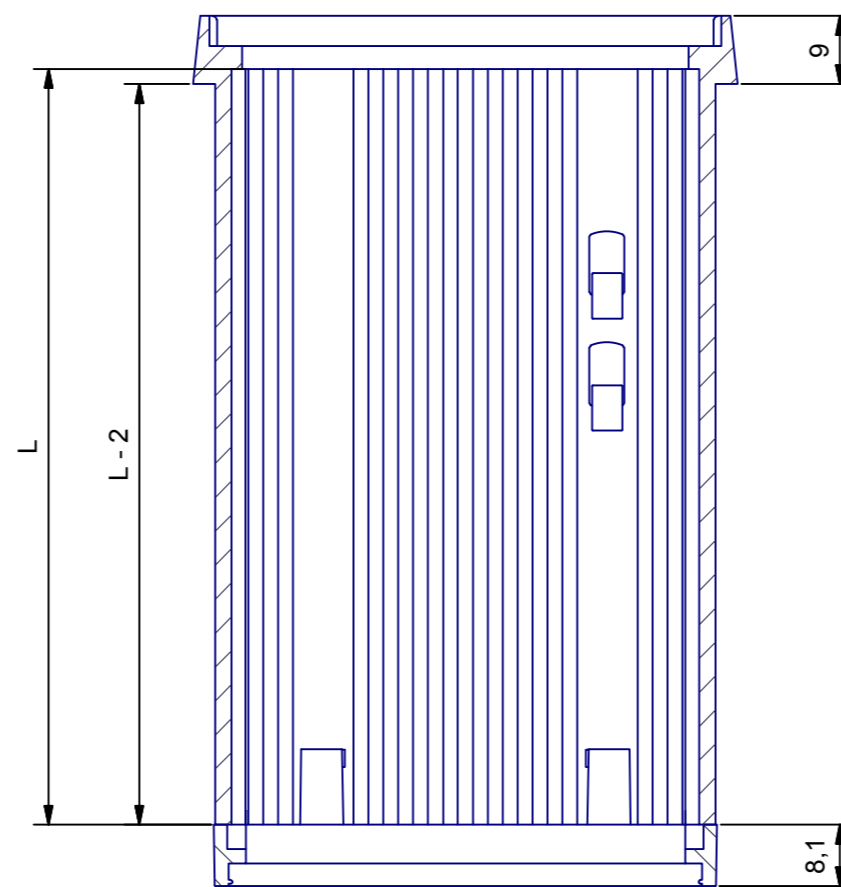


A-A (1:1)



VERSIONS	L
72X144 L57	57 mm
72X144 L75	75 mm
72X144 L100	100 mm
72X144 L124	124 mm Max
72X144 LXXX	180 mm Max
72X144 L114	114 mm
72X144 L139	139 mm
72X144 L200	200 mm

COMPONENTS LIST				
RIF.	Q.TY	DESCRIPTION	CODE	
1	1	Corpo cont. 72x144 BS2 - Body enclosure 72x144 BS2	I-00156	
2	1	Cornice post. 72x144 - Rear frame 72x144	I-00157	
3	2	Agganci in plastica INCABOX - Plastic fixing INCABOX	I-00769	
Da 0,5 a 3		Oltre 3 fino a 6	Oltre 6 fino a 30	Oltre 30 fino a 120
± 0,1		± 0,1	± 0,2	± 0,3
± 0,5				

RESERVED PROPERTY The present drawing cannot be reproduced or communicated to 3d parties, even partially, without the authorization of ITALTRONIC Srl. Italtronic reserves to protect its own rights according to the law.	Dimension in mm	SHEET NR. 1 / 1	DRAWING BY Manual modification are not allowed	GENERAL TOLERANCE UNI EN 22768/1 Media (m)	5 4 3 2 1 Revision description
Drawn: Rigato N.	Checked: Dalla Montà D.	Scale:			

UN PARTNER PER IL FUTURO

Denomination:

Contenitore completo INCABOX 72X144 BS2

Complete enclosure INCABOX 72x144 BS2

Drawing nr.

I-04574-00

ITALTRONIC S.R.L.
 VIA AUSTRIA 25/D 35127
 PADOVA - ITALY
www.italtronic.com

X-ON Electronics

Largest Supplier of Electrical and Electronic Components

Click to view similar products for [Italtronic](#) manufacturer:

Other Similar products are found below :

[25.0101000.BL](#) [07.6350020](#) [6MDH53/7.5](#) [33.0614000.UNO](#) [61.6061000](#) [P05030204T](#) [P05030201T](#) [01.112L075](#) [12.0000010](#) [P05040201P](#)
[61.6100002](#) [P05120821F](#) [16.209L075](#) [10.0000175](#) [9M/821P](#) [25.1201000.BL](#) [07.6411915](#) [4MH53/7.5](#) [P05090201F.BL](#) [9MDH53/5](#)
[08.1190000](#) [6MDH53/5](#) [P05020215T.BL](#) [P05020204T.BL](#) [P05020208T.BL](#) [16.4333000](#) [33.0414000.UNO](#) [25.0906000.BL](#) [16.211L124](#)
[6M/821P](#) [25.0410000.UNO](#) [25.1210000.BL](#) [05.0901680](#) [06.3150000](#) [25.0406000.BL](#) [P05020721F](#) [P05020207T.BL](#) [5M/821P](#)
[25.0610000.BGB](#) [61.6041000](#) [P05040207T.BL](#) [P05080821F](#) [10.0012225.RPI](#) [11.4340000](#) [07.6320000](#) [07.6330000](#) [10.0051350](#)
[P05020202T.BL](#) [07.6650000](#) [07.6670100](#)