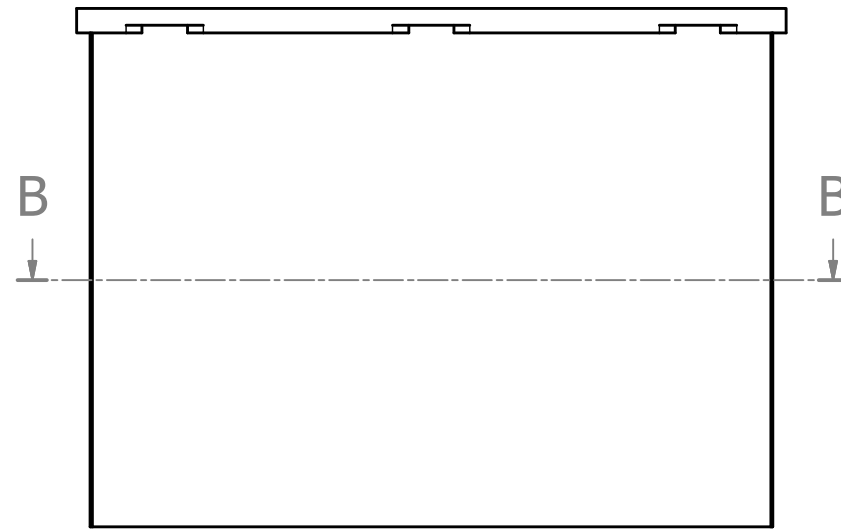
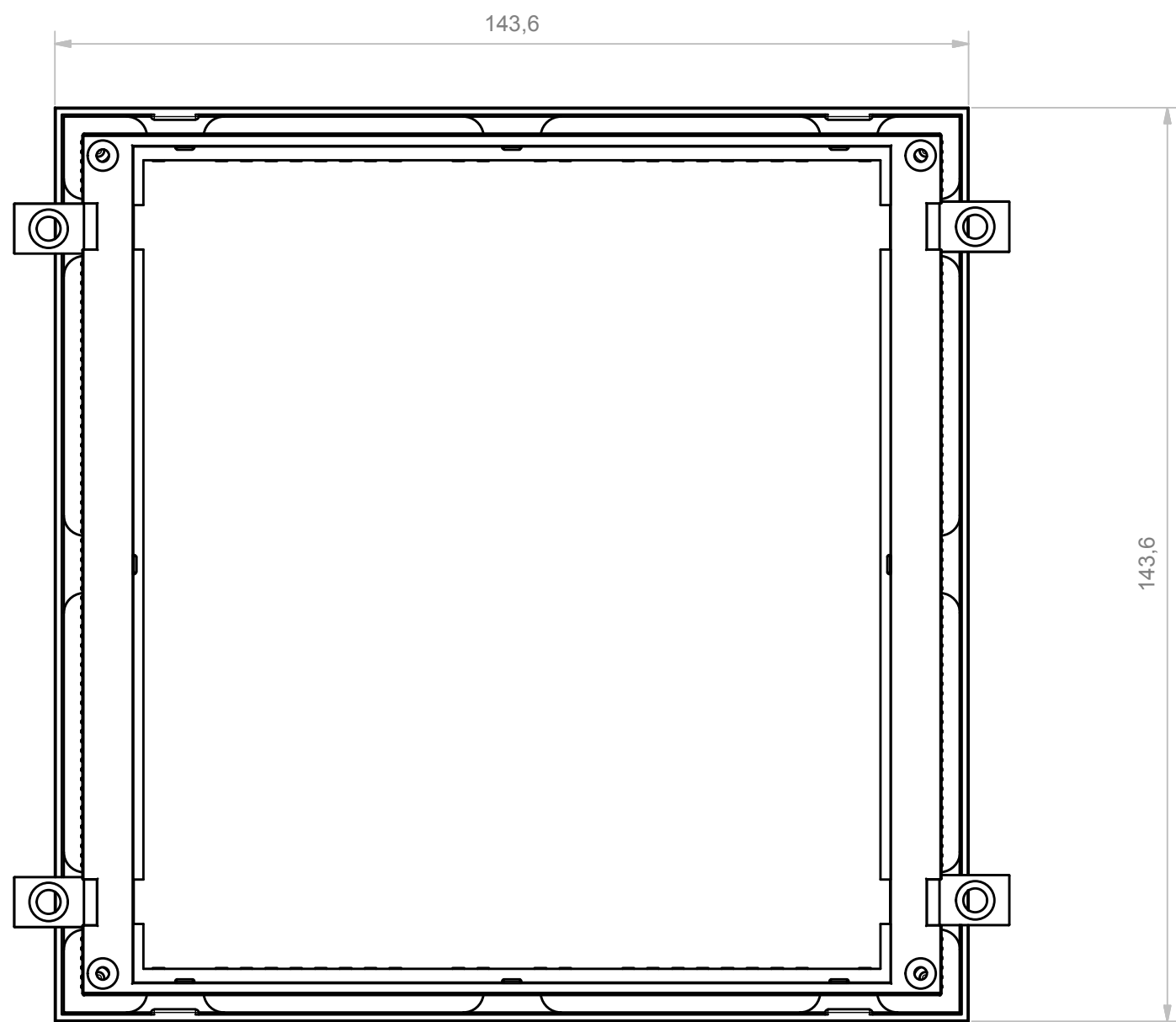
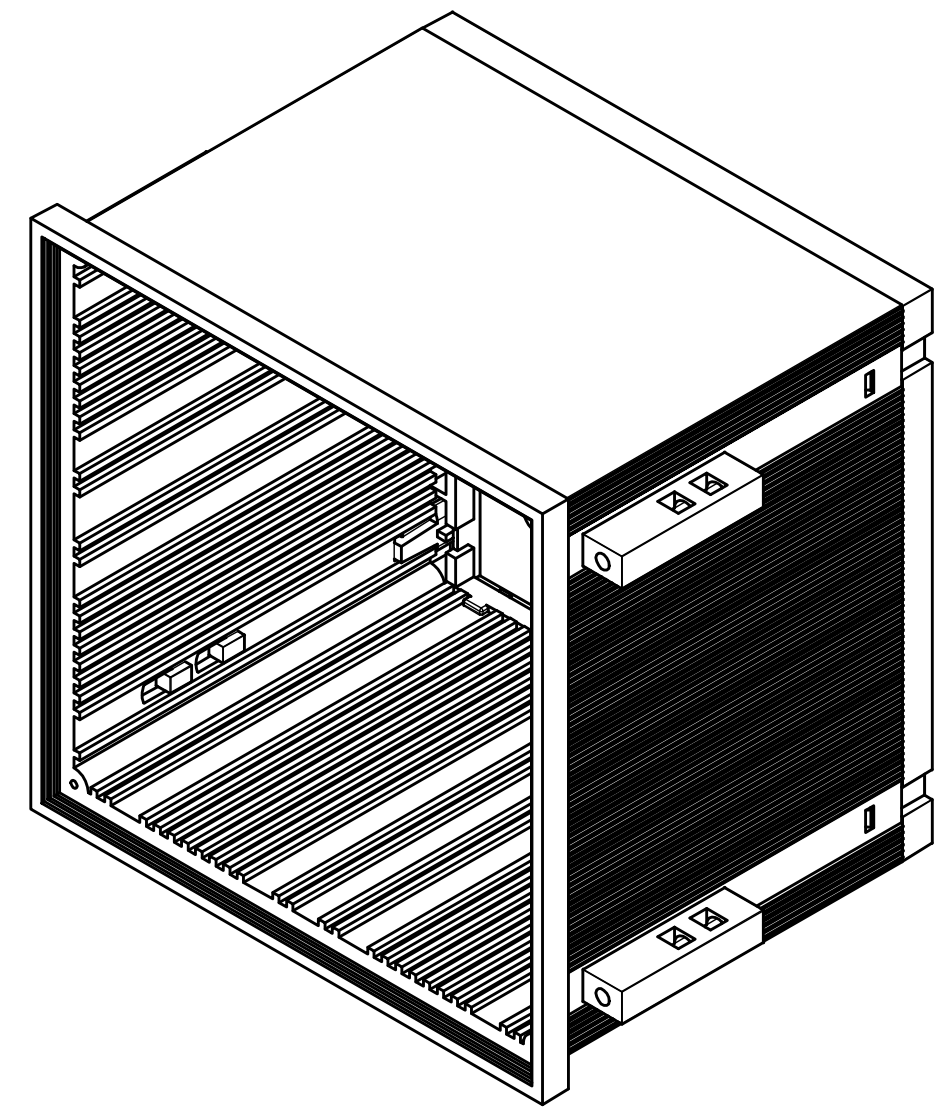
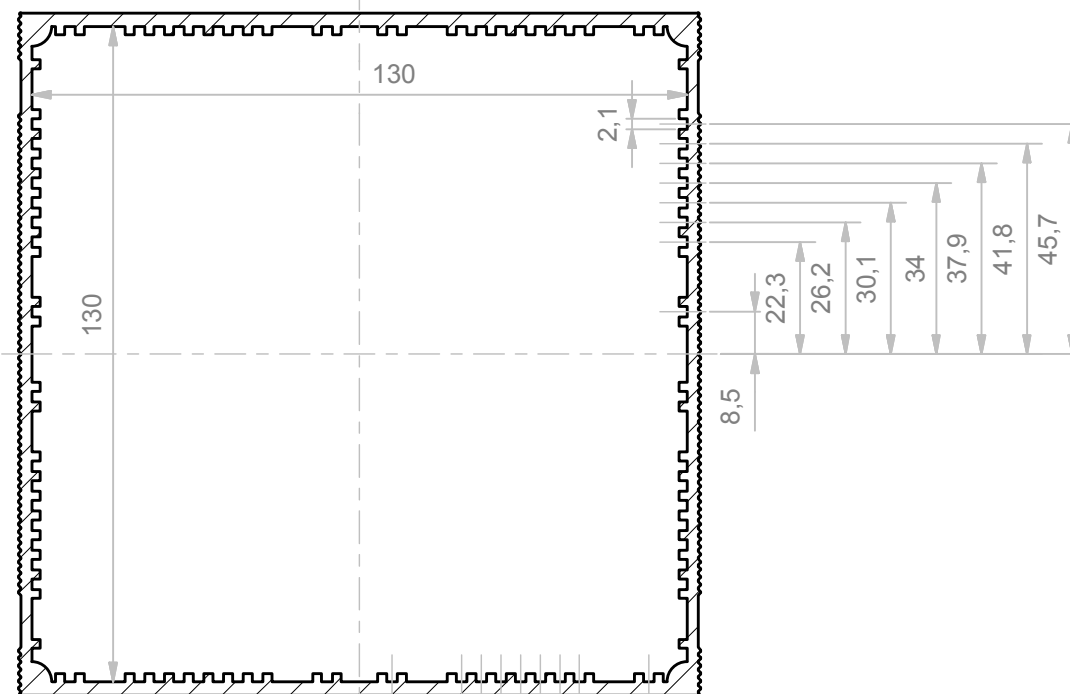


Position of PCB



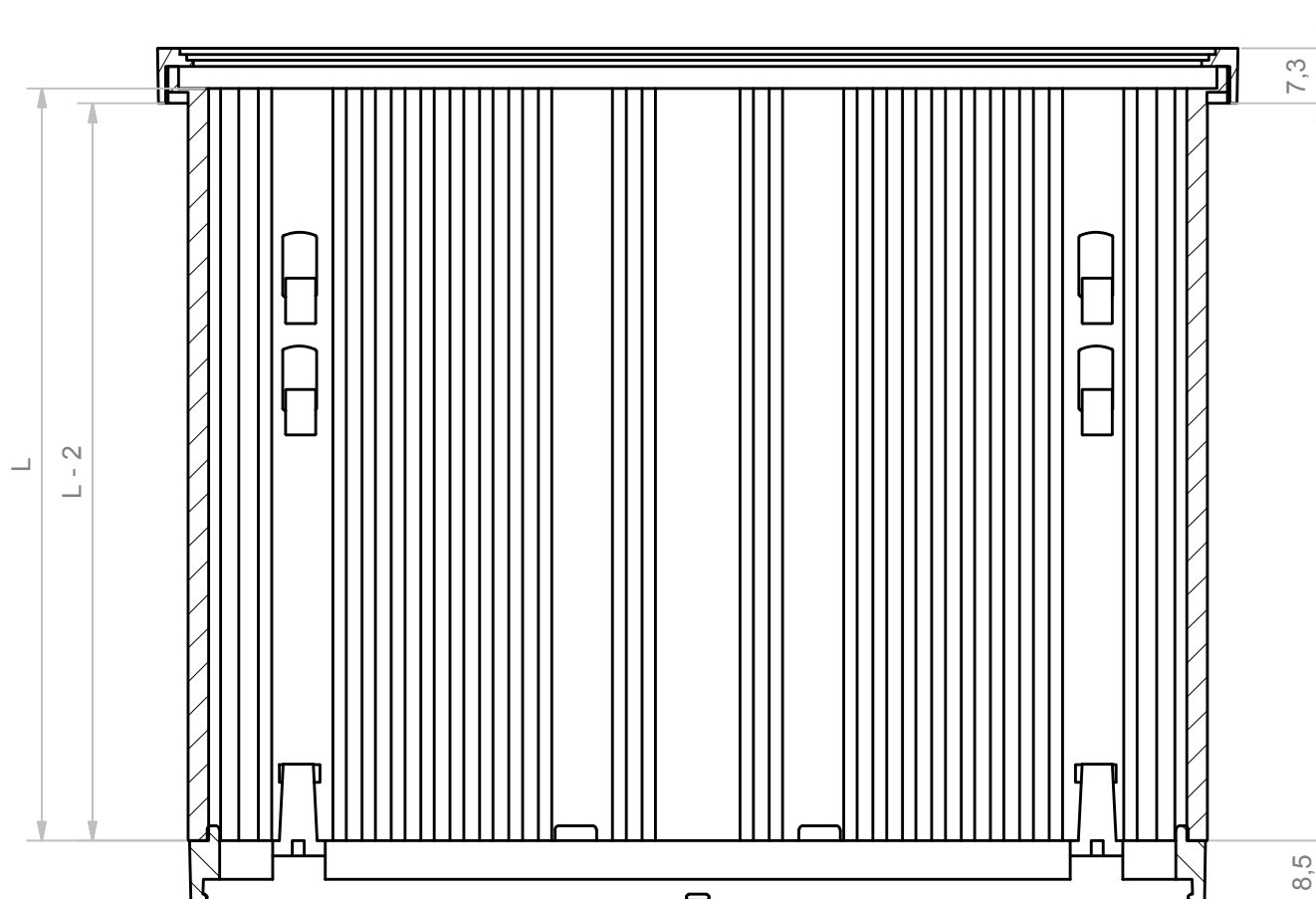
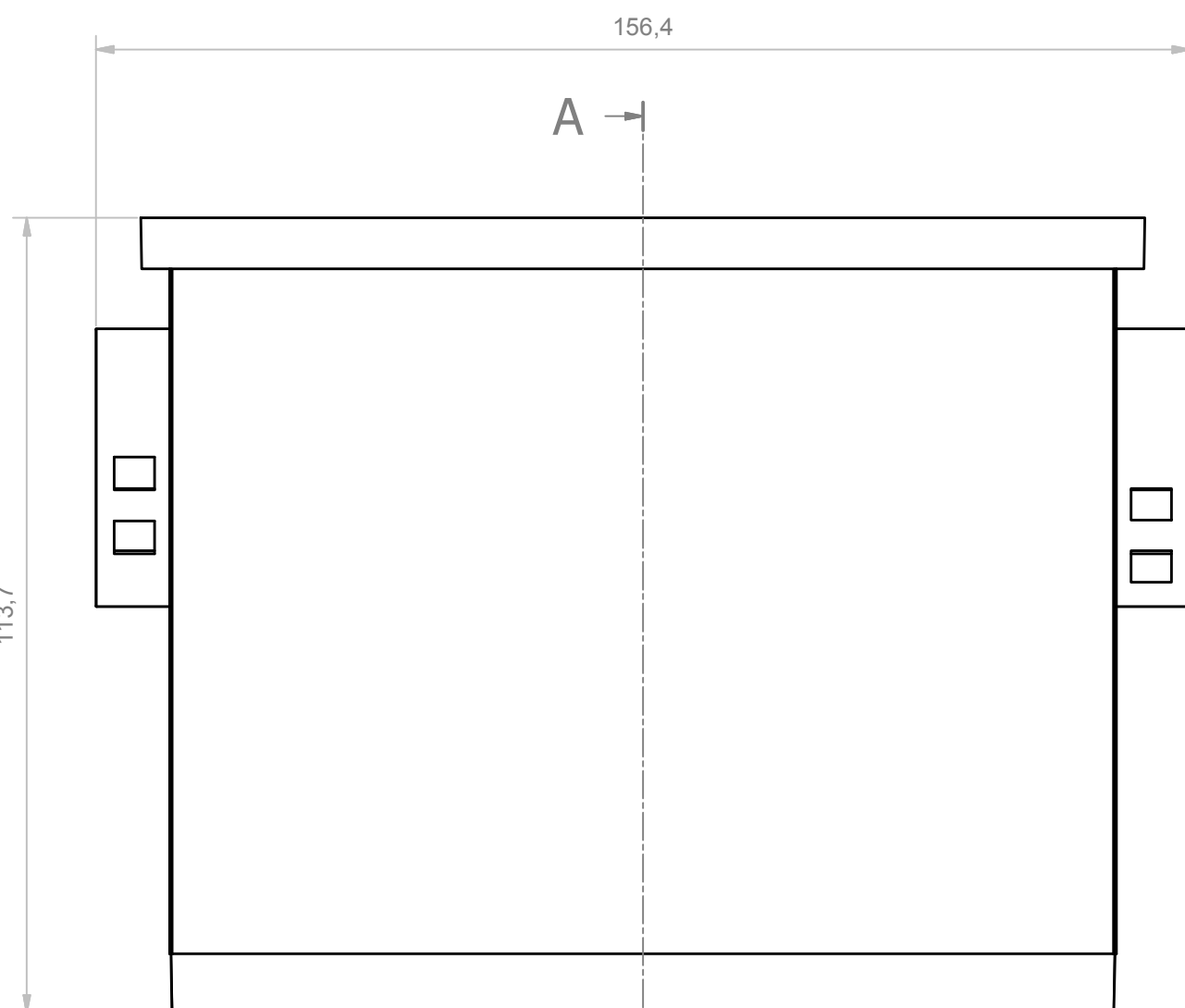
B-B

PCB: 129,5 x L



VERSIONS		L
144X144	L57	57 mm
144X144	L75	75 mm
144X144	L100	100 mm

A-A (1:1)



COMPONENT LIST				
RIF.	Q.TY	DESCRIPTION	CODE	
1	1	Corpo cont. 144x144 MS2 - Body enclosure 144x144 MS2	I-00153	
2	1	Cornice post. 144x144 - Rear frame 144x144	I-00762	
3	4	Agganci in plastica INCABOX - Plastic fixing INCABOX	I-00769	
4	1	Cornice front. 144x144 - Front frame 144x144	I-00377	
Da 0,5 a 3		Oltre 3 fino a 6	Oltre 6 fino a 30	Oltre 30 fino a 120
± 0,1		± 0,1	± 0,2	± 0,3
± 0,1		± 0,1	± 0,2	± 0,5

RESERVED PROPERTY The present drawing cannot be reproduced or communicated to 3d parties, even partially, without the authorization of ITALTRONIC Srl. Italtronic reserves to protect its own rights according to the law.	Dimension in mm	SHEET NR.	DRAWING BY	GENERAL TOLERANCE
		1 / 1		UNI EN 22768/1 Media (m)

Date:	07/06/2013	Replace nr.	
Drawn:	Rigato N.	Checked:	Dalla Montà D.
Scale:		Revision description:	

Denomination:
Contenitore completo INCABOX 144x144 MS2
 Complete enclosure INCABOX 144x144 MS2

UN PARTNER PER IL FUTURO

ITALTRONIC S.R.L.
 VIA AUSTRIA 25/D 35127
 PADOVA - ITALY
www.italtronic.com

Drawing nr.
I-04807-01

Aggiunto vista posizioni PCB. 26/03/15 Rigato N.

X-ON Electronics

Largest Supplier of Electrical and Electronic Components

Click to view similar products for [Italtronic](#) manufacturer:

Other Similar products are found below :

[01.107L057](#) [01.109L057](#) [01.109L114](#) [01.112L057](#) [01.112L075](#) [01.509L057](#) [01.509L100](#) [03.4340000](#) [03.4350000](#) [05.0102530](#) [05.0202530](#)
[05.0202680](#) [05.0302350](#) [05.0302530](#) [05.0402530](#) [05.0402680](#) [05.0404530](#) [05.0502530](#) [05.0601530](#) [05.0601680](#) [05.0602530](#) [05.0602680](#)
[05.0901530](#) [05.0901680](#) [05.0902350](#) [05.0902530](#) [05.0902680](#) [06.2000000](#) [06.2050000](#) [06.2080000](#) [06.2110000](#) [06.2710000](#) [06.2730000](#)
[06.3150000](#) [07.6000000](#) [07.6010000](#) [07.6020000](#) [07.6030000](#) [07.6040000](#) [07.6070000](#) [07.6080000](#) [07.6100000](#) [07.6110000](#) [07.6120000](#)
[07.6130000](#) [07.6140000](#) [07.6320000](#) [07.6330000](#) [07.6340000](#) [07.6350000](#)