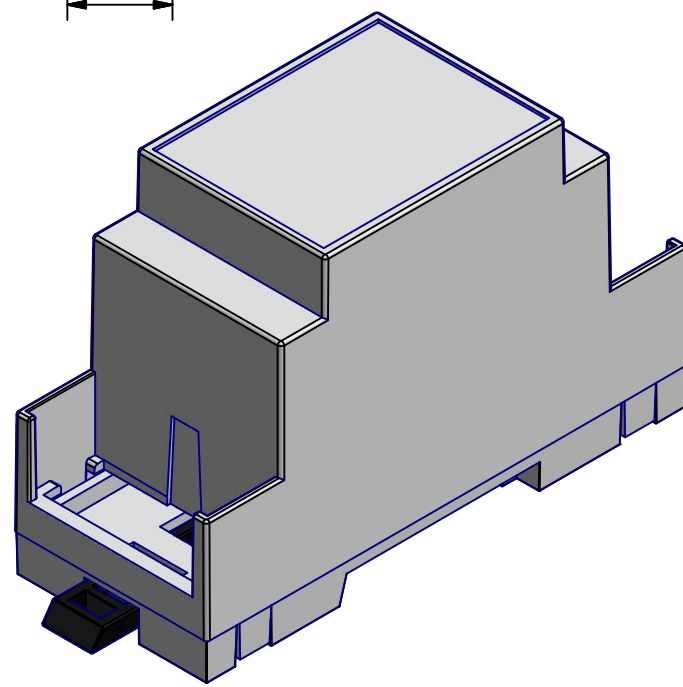
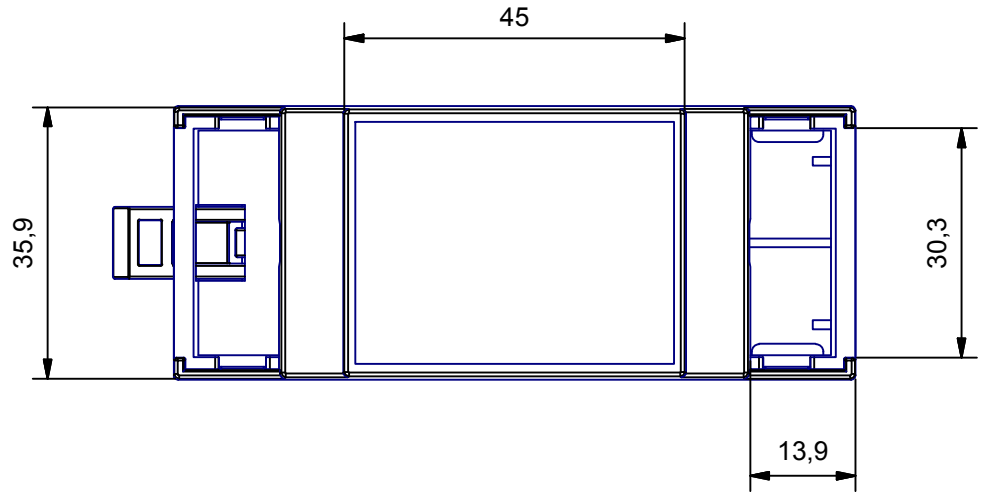
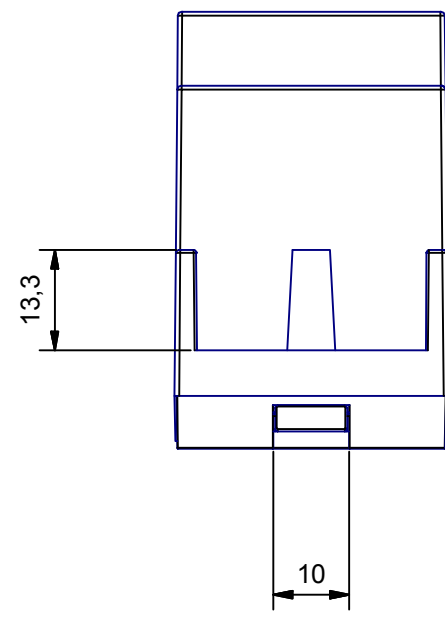
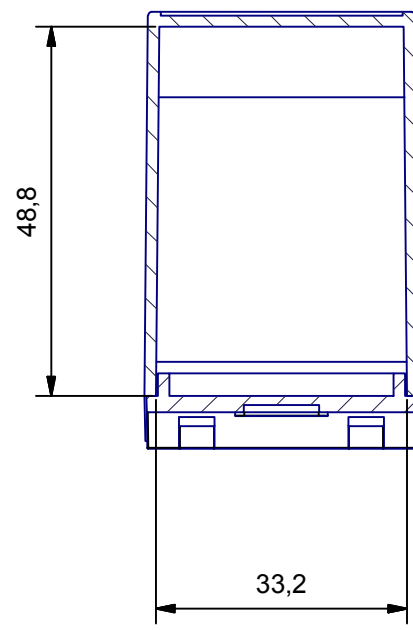
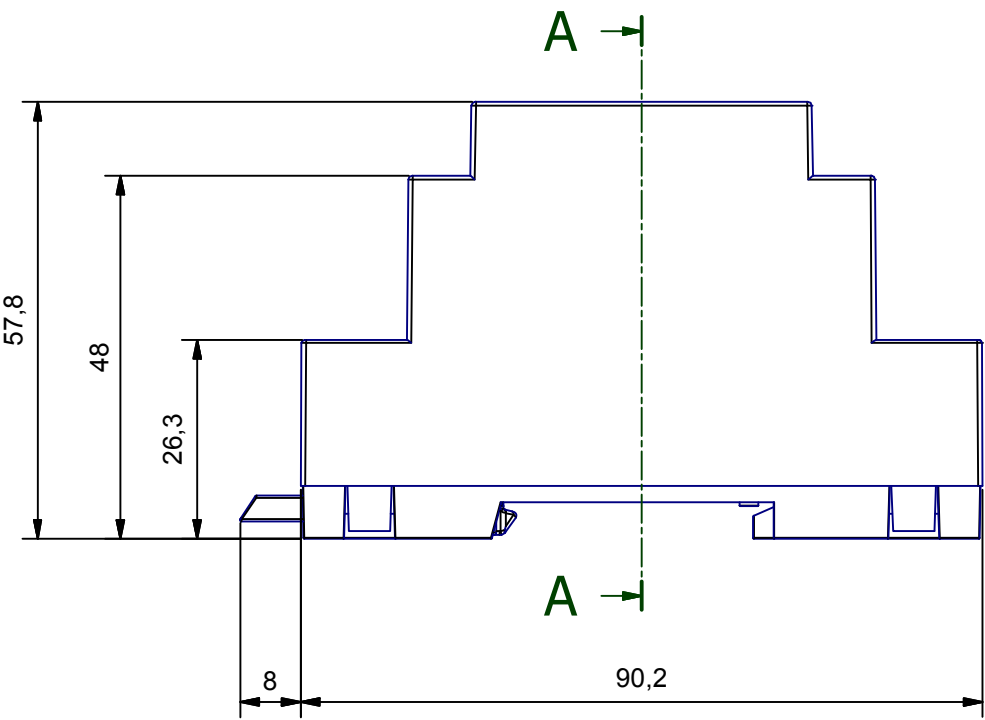


A-A (1:1)



COMPONENTS LIST					
RIF.	Q.TY	DESCRIPTION		CODE	
1	1	BASE 2M		M-00235	
2	1	AGGANCIAMENTO MODULBOX - HOOK MODULBOX		M-01624	
3	1	CORPO CONTENITORE 2MC53 - BODY ENCLOSURE 2MC53		M-02004	
Da 0,5 a 3		Oltre 3 fino a 6	Oltre 6 fino a 30	Oltre 30 fino a 120	Oltre 120
± 0,1		± 0,1	± 0,2	± 0,3	± 0,5

RESERVED PROPERTY The present drawing cannot be reproduced or communicated to 3d parties, even partially, without the authorization of ITALTRONIC Srl. Italtronic reserves to protect its own rights according to the law.	Dimension in mm	SHEET NR.	DRAWING BY	GENERAL TOLERANCE
		1 / 1	Manual modification are not allowed	UNI EN 22768/1 Media (m)
Date:	11/06/2013	Replace nr.		
Drawn:	Rigato N.	Checked:	Dalla Montà D.	Scale:

5	4	3	2	1
Revision description				

UN PARTNER PER IL FUTURO

Denomination:

Contenitore completo modulbox 2MC53

Complete enclosure modulbox 2MC53

ITALTRONIC S.R.L.
VIA AUSTRIA 25/D 35127
PADOVA - ITALY
www.italtronic.com

Drawing nr.

M-04822-00

X-ON Electronics

Largest Supplier of Electrical and Electronic Components

Click to view similar products for [Italtronic](#) manufacturer:

Other Similar products are found below :

[01.107L057](#) [01.109L057](#) [01.109L114](#) [01.112L057](#) [01.112L075](#) [01.509L057](#) [01.509L100](#) [03.4340000](#) [03.4350000](#) [05.0102530](#) [05.0202530](#)
[05.0202680](#) [05.0302350](#) [05.0302530](#) [05.0402530](#) [05.0402680](#) [05.0404530](#) [05.0502530](#) [05.0601530](#) [05.0601680](#) [05.0602530](#) [05.0602680](#)
[05.0901530](#) [05.0901680](#) [05.0902350](#) [05.0902530](#) [05.0902680](#) [06.2000000](#) [06.2050000](#) [06.2080000](#) [06.2110000](#) [06.2710000](#) [06.2730000](#)
[06.3150000](#) [07.6000000](#) [07.6010000](#) [07.6020000](#) [07.6030000](#) [07.6040000](#) [07.6070000](#) [07.6080000](#) [07.6100000](#) [07.6110000](#) [07.6120000](#)
[07.6130000](#) [07.6140000](#) [07.6320000](#) [07.6330000](#) [07.6340000](#) [07.6350000](#)