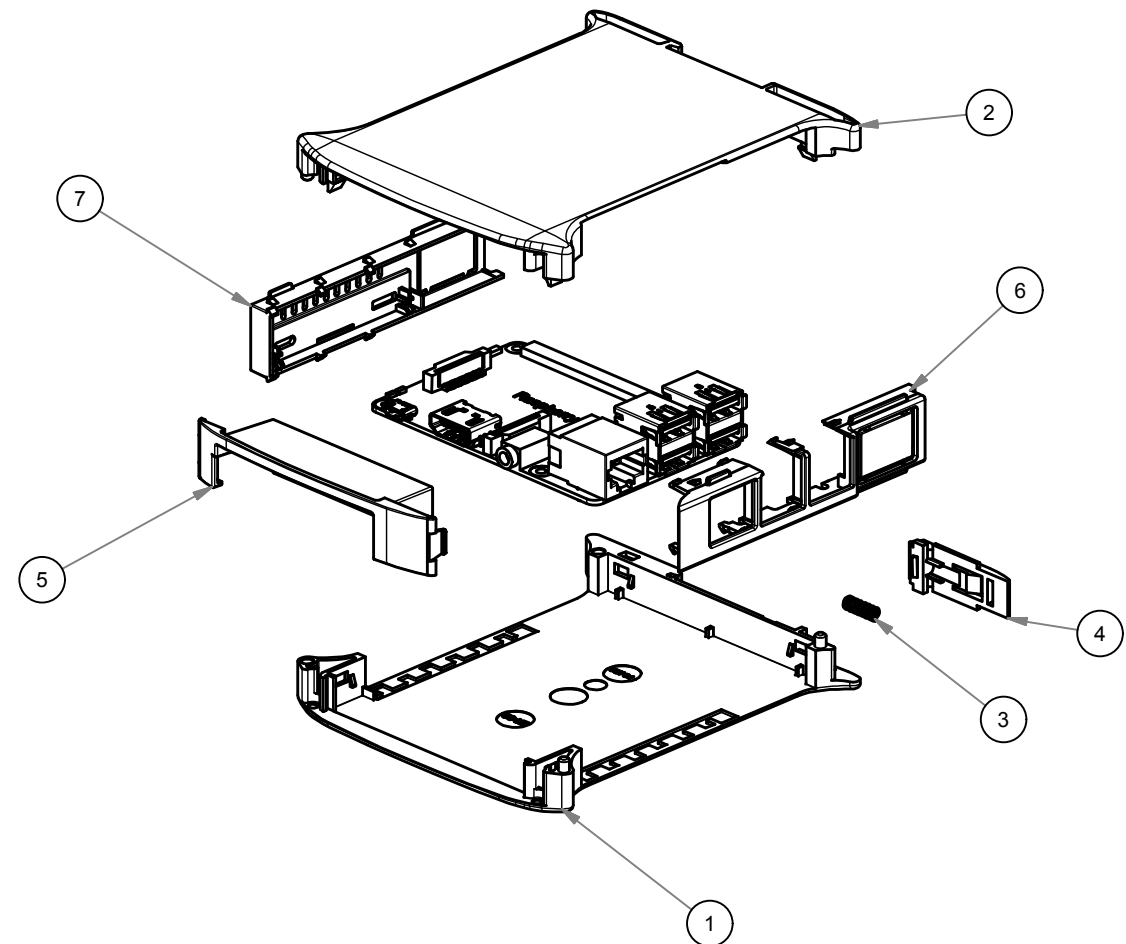
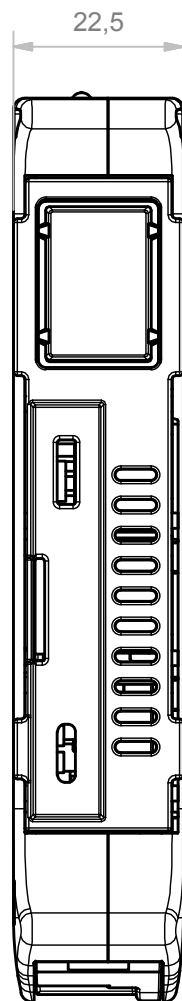
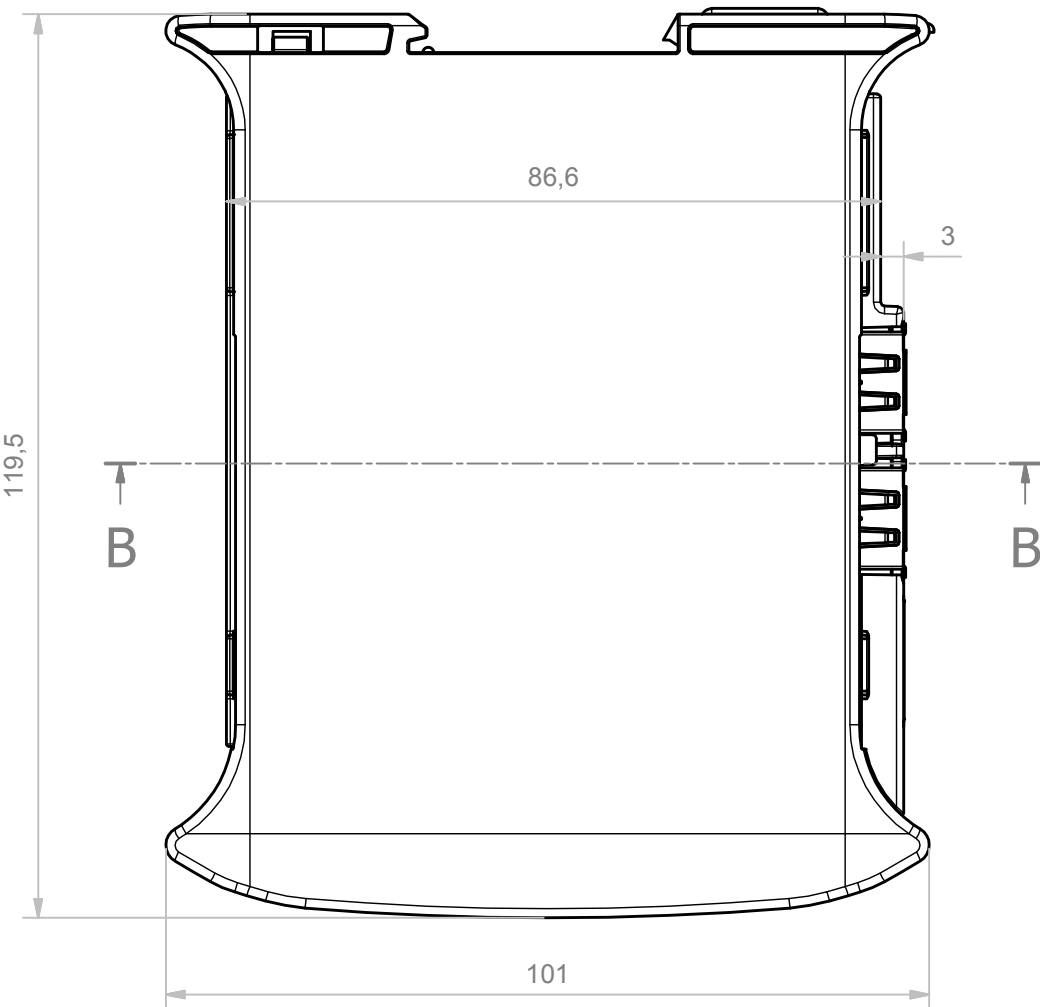
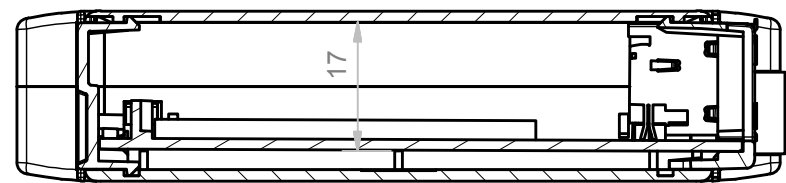
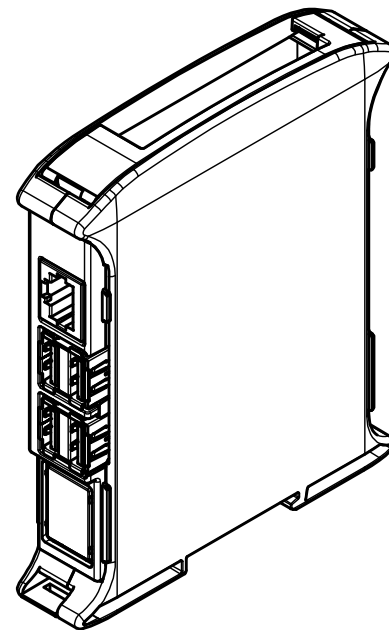


B-B (1:1)



RIF.	Q.TY	DESCRIPTION	DRAWING
1	1	BASE RAILBOX 12.5 MM 3L	1.001.03429
2	1	COVER RAILBOX 10 MM 3L	1.001.03497
3	1	SPRING FOR HOOK RAILBOX	1.001.07874
4	1	HOOK RAILBOX	1.001.00249
5	1	FRONT HINGED RAILBOX RASPBERRY PI B+/PI 3	1.001.07339
6	1	HOLE COVER BREAKABLE 22.5 RASPBERRY PI B+/PI 3 LEFT	1.001.07338
7	1	HOLE COVER BREAKABLE 22.5 RASPBERRY PI B+/PI 3 RIGHT	1.001.07831



General Tolerance UNI EN 22768/1 Media (m)										
from 0.5 to 3	from 3 to 6	from 6 to 30	from 30 to 120	from 120 to 400						
± 0.1	± 0.1	± 0.2	± 0.3	± 0.5						
Scale: 1 : 1	Sheet nr.: 1 / 1	Drawn: N.R.	Checked: F.F.	Date: 21/03/2018	5	4	3	2	1	Revision description
Dimension in mm		Material:	Weight:	Volume:						
		Description: KIT 22,5 RAILBOX RASPBERRY PI 3 KIT 22,5 RAILBOX RASPBERRY PI 3								
		Drawing nr. 3.050.00013			Rev. 00					
		www.italtronic.com techcare@italtronic.com								

RESERVED PROPERTY: The present drawing cannot be reproduced or communicated to 3rd parties, even partially, without the authorization of ITALTRONIC Srl. Italtronic reserves to protect its own rights according to the law.

X-ON Electronics

Largest Supplier of Electrical and Electronic Components

Click to view similar products for [Enclosures, Boxes & Cases](#) category:

Click to view products by [Italtronic](#) manufacturer:

Other Similar products are found below :

[M-10-PLATED](#) [60221-01](#) [M17-L-PLN](#) [M-21-PLATED](#) [63310-01-000](#) [6711GSKT](#) [90026-501-000](#) [PS36-200](#) [120-407](#) [138-PLAIN](#) [144011](#)
[EAS-500 \(BLACK ANO\)](#) [2062750000](#) [KAB3421](#) [A0645271](#) [1928952](#) [2106-IR](#) [2792057](#) [2906241](#) [2906254](#) [H5031](#) [M-10-LID-PLATED](#)
[CU-284](#) [402-BLACK](#) [MDC-532-PLAIN-ALUM](#) [B137](#) [5400TN](#) [UNC 2-4-6 PLAIN](#) [462-0020E](#) [0542100012](#) [043853](#) [103031](#) [11416P](#) [KR8-](#)
[315](#) [UM-SE-A73-R BK](#) [2202158](#) [TUF 55 25 100 ME](#) [332-907](#) [4122](#) [EKJB](#) [24560-245](#) [736-409](#) [144012](#) [61-9480.6](#) [134573](#) [M18-L-PLTD](#)
[73095-510-000](#) [CNM-0303 Black](#) [S3A-453213-S](#) [ALUG702RD040-IR](#) [07.6370000](#)