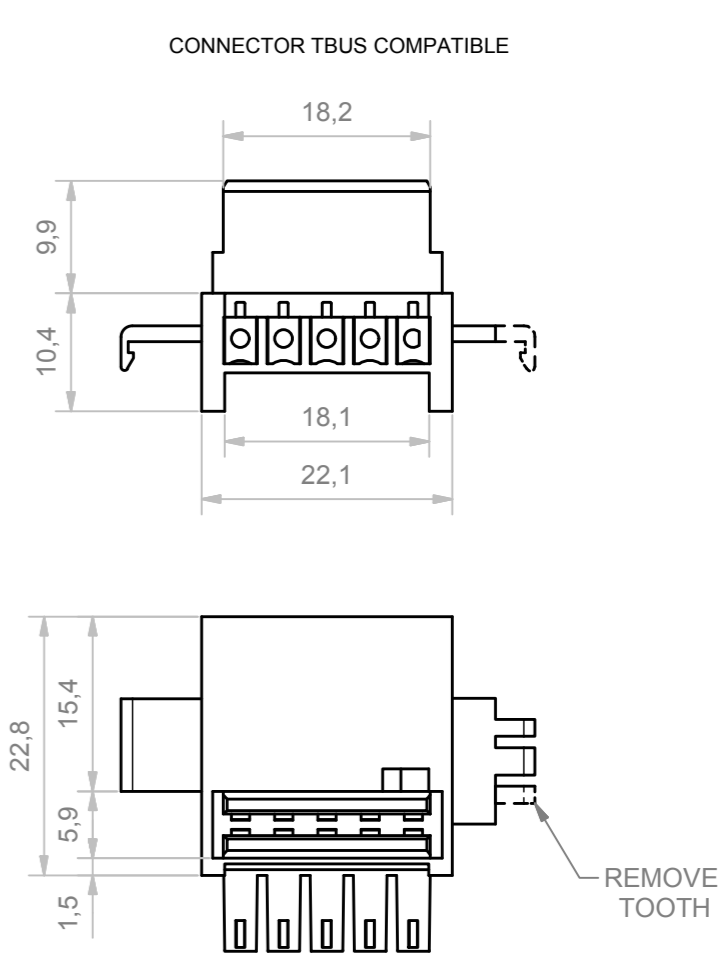
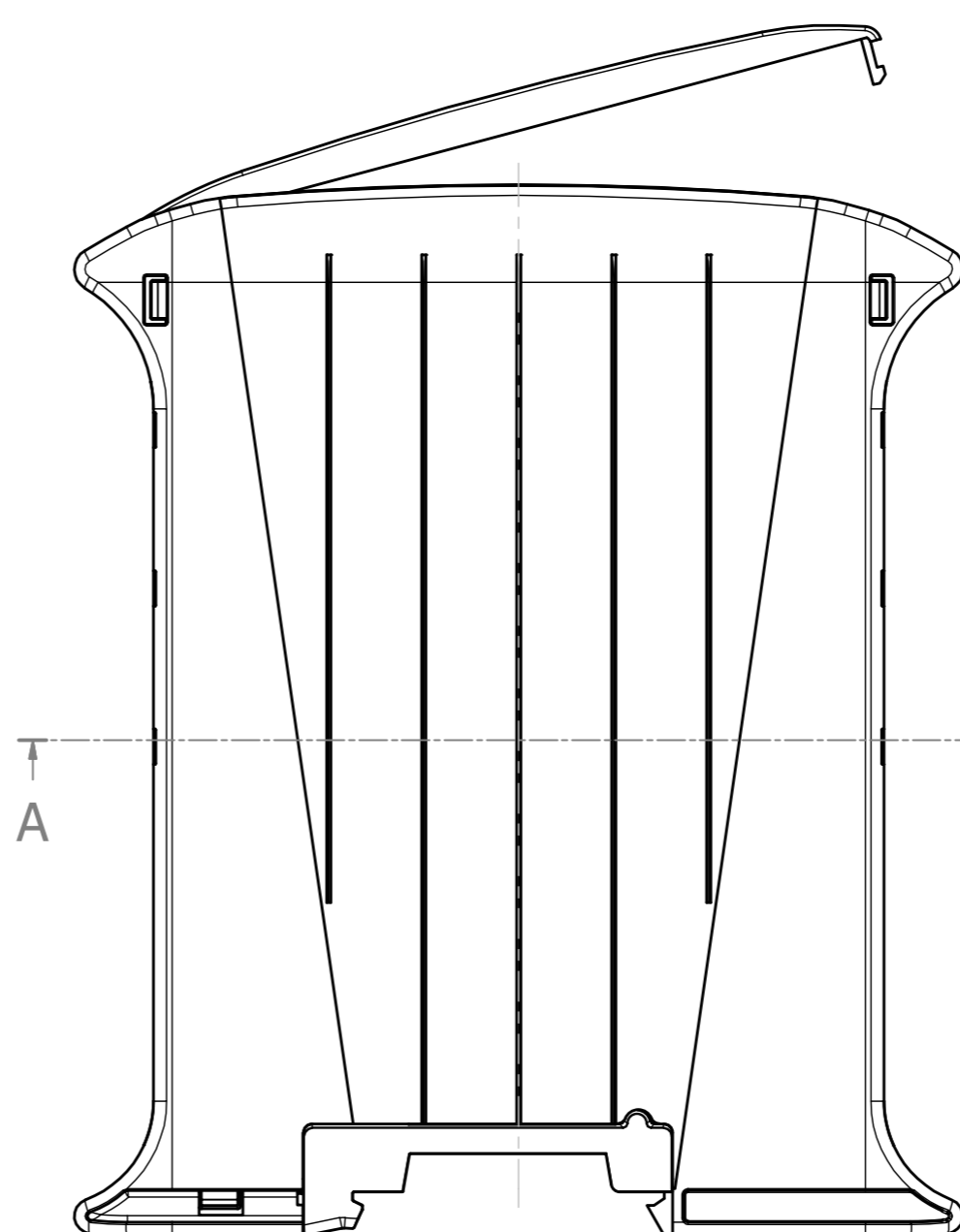
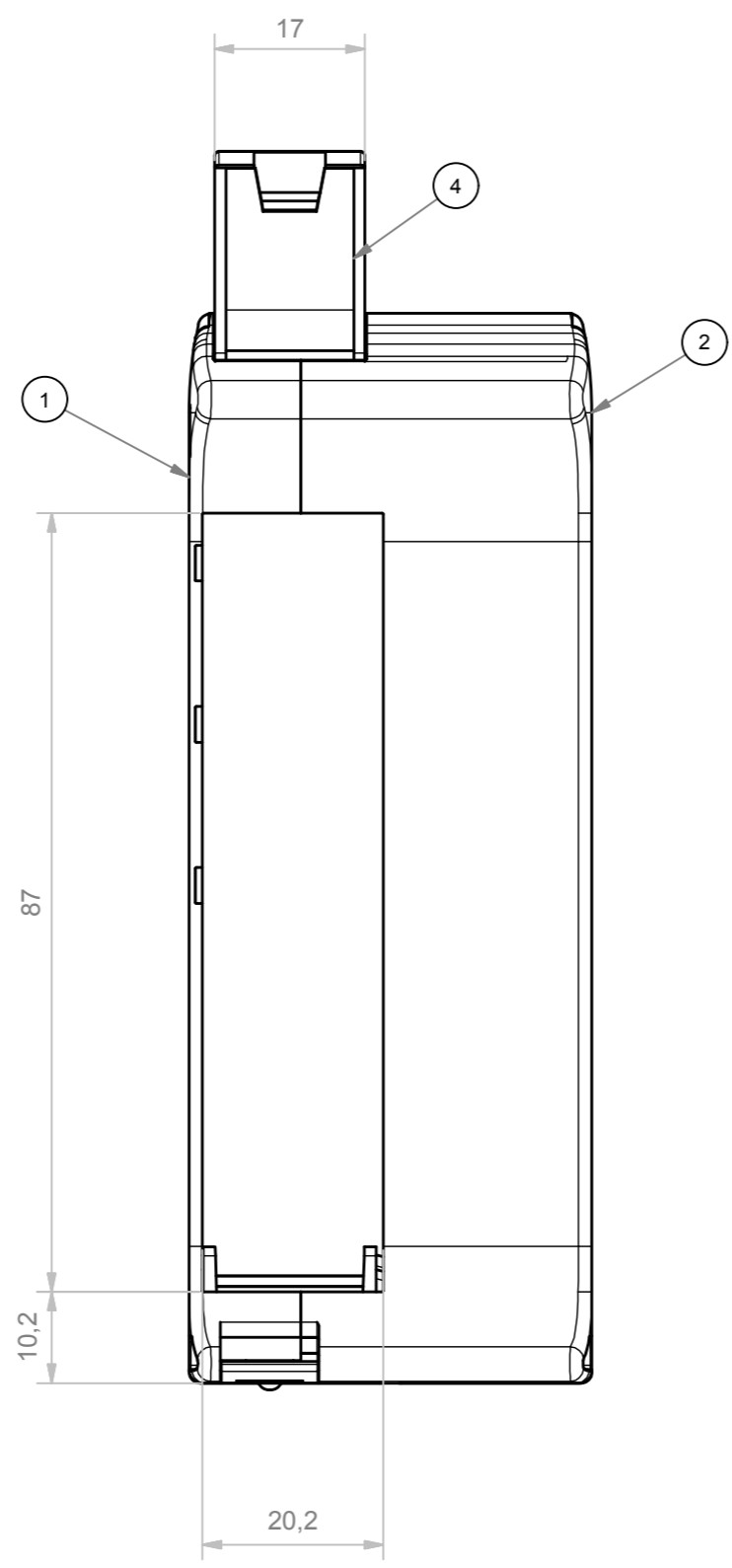
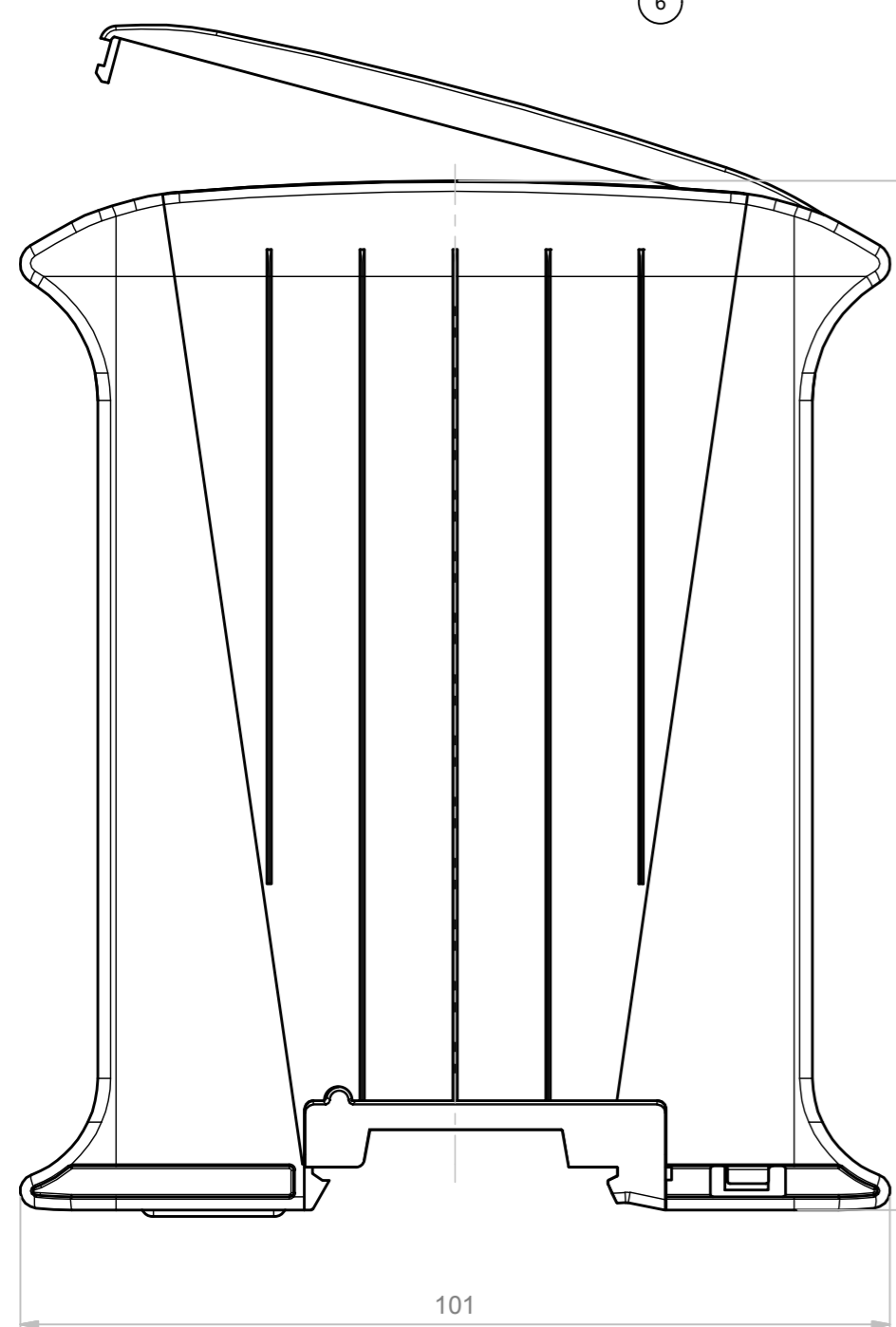
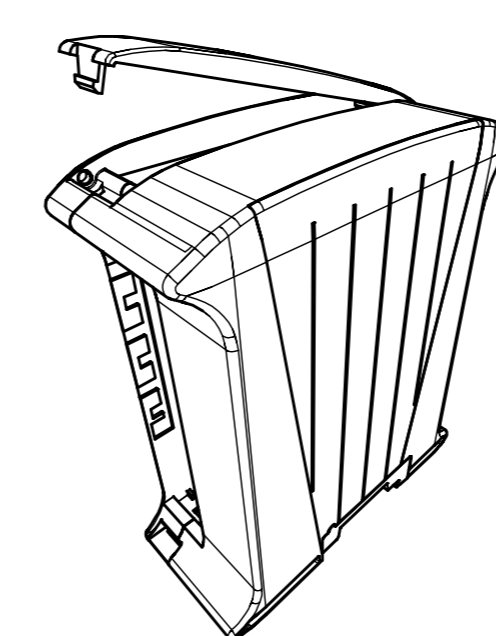
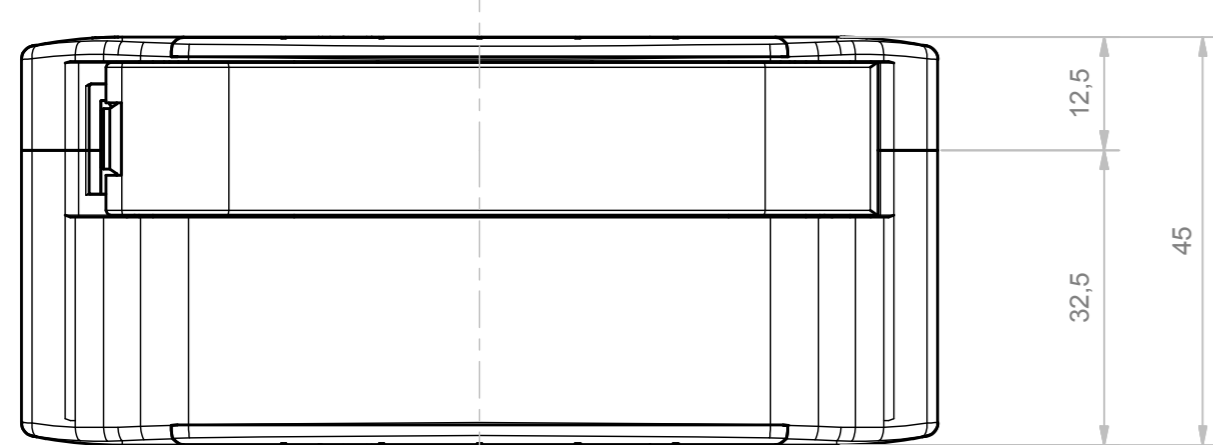


A-A



*Italtronic s.r.l. non fornisce il connettore TBUS ma solo la predisposizione del contenitore.
Italtronic s.r.l. does not provide the TBUS connector but only the predisposition of the enclosure.*



RIF.	Q.TY	DESCRIPTION	DRAWING
1	1	BASE RAILBOX MULTILEVEL PLUG-IN AND FIX 12.5 MM BUS	2.110.00012
2	1	COVER RAILBOX PLUG-IN AND FIX 32.5 MM BUS	2.110.00023
3	1	HOOK RAILBOX FOR CONNECTION BUS	2.110.00010
4	1	FRONT HINGED TRANSPARENT PANEL 17 MM	2.110.00016
5	1	SPRING FOR HOOK RAILBOX	2.110.00011
6	2	ACCESSORY BUS 22,5 MM	2.110.00015

General Tolerance UNI EN 22768/1 Media (m)				
from 0.5 to 3	from 3 to 6	from 6 to 30	from 30 to 120	from 120 to 400
±0.1	±0.1	±0.2	±0.3	±0.5
Scale: 0.5	Sheet nr.: 1 / 1	Drawn: N.R.	Checked:	Date: 12/09/2018
Dimension in mm		Material:	Weight:	Cod. Mold:
 www.italtronic.com techcare@italtronic.com		Description: RAILBOX MULTILEVEL PLUG-IN E FIX 45 MM BUS RAILBOX MULTILEVEL PLUG-IN AND FIX 45 MM BUS Drawing nr. 3.110.00010		Rev. 01

26/09/2018 N.R. Updated cartouche with new code (code passed R-03455-00)
 RESERVED PROPERTY: The present drawing cannot be reproduced or communicated to 3rd parties, even partially, without the authorization of ITALTRONIC S.p.A. Italiane. Note: see to protect file weights according to the law.

X-ON Electronics

Largest Supplier of Electrical and Electronic Components

Click to view similar products for [Italtronic](#) manufacturer:

Other Similar products are found below :

[25.0101000.BL](#) [07.6350020](#) [6MDH53/7.5](#) [33.0614000.UNO](#) [61.6061000](#) [P05030204T](#) [P05030201T](#) [01.112L075](#) [12.0000010](#) [P05040201P](#)
[61.6100002](#) [P05120821F](#) [16.209L075](#) [10.0000175](#) [9M/821P](#) [25.1201000.BL](#) [07.6411915](#) [4MH53/7.5](#) [P05090201F.BL](#) [9MDH53/5](#)
[08.1190000](#) [6MDH53/5](#) [P05020215T.BL](#) [P05020204T.BL](#) [P05020208T.BL](#) [16.4333000](#) [33.0414000.UNO](#) [25.0906000.BL](#) [16.211L124](#)
[6M/821P](#) [25.0410000.UNO](#) [25.1210000.BL](#) [05.0901680](#) [06.3150000](#) [25.0406000.BL](#) [P05020721F](#) [P05020207T.BL](#) [5M/821P](#)
[25.0610000.BGB](#) [61.6041000](#) [P05040207T.BL](#) [P05080821F](#) [10.0012225.RPI](#) [11.4340000](#) [07.6320000](#) [07.6330000](#) [10.0051350](#)
[P05020202T.BL](#) [07.6650000](#) [07.6670100](#)