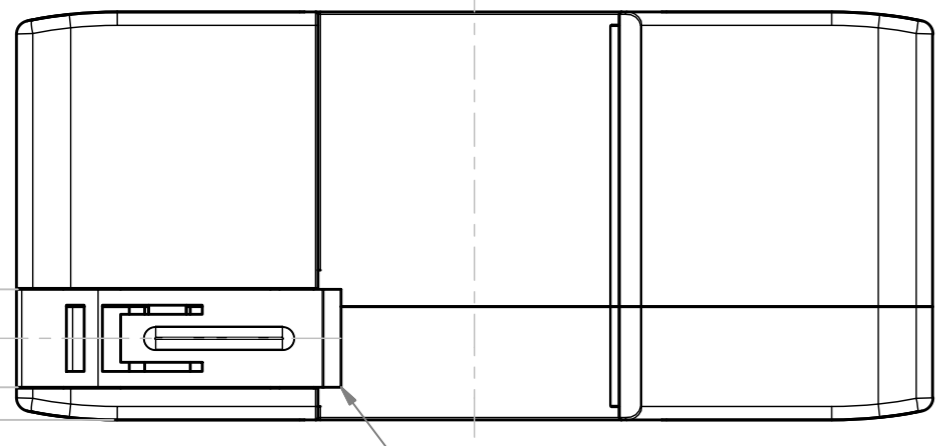
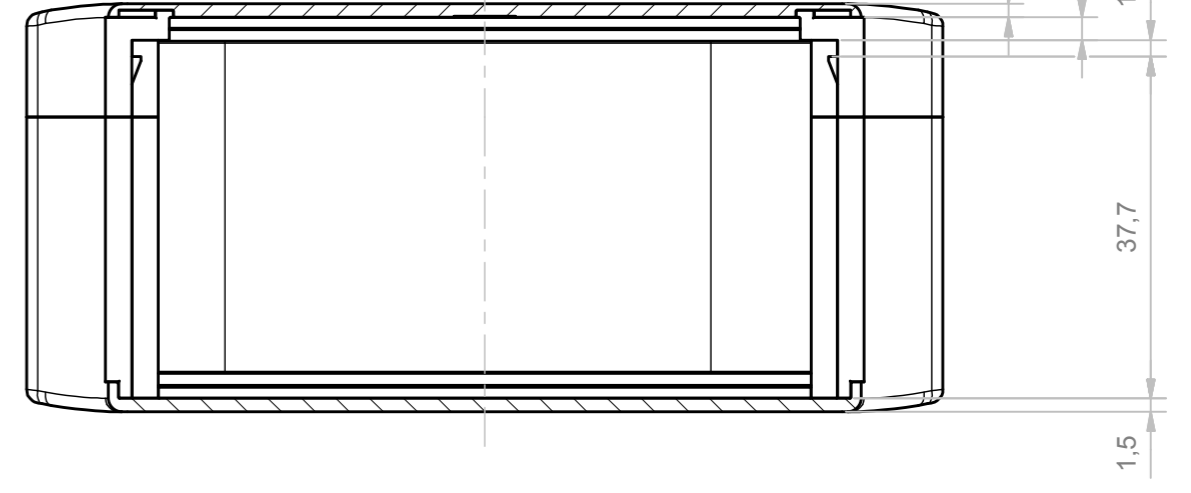


10,8
9

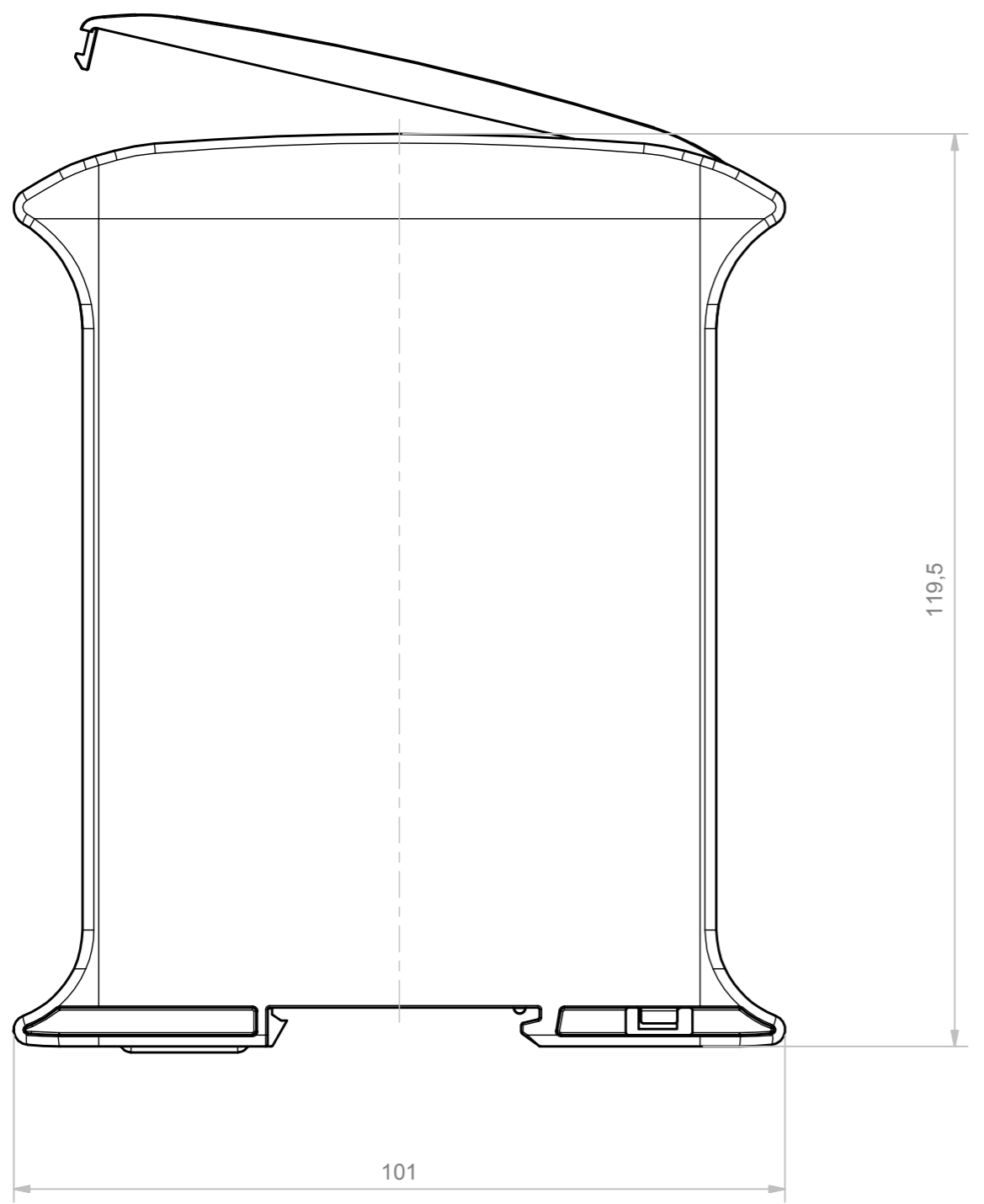


2

A-A

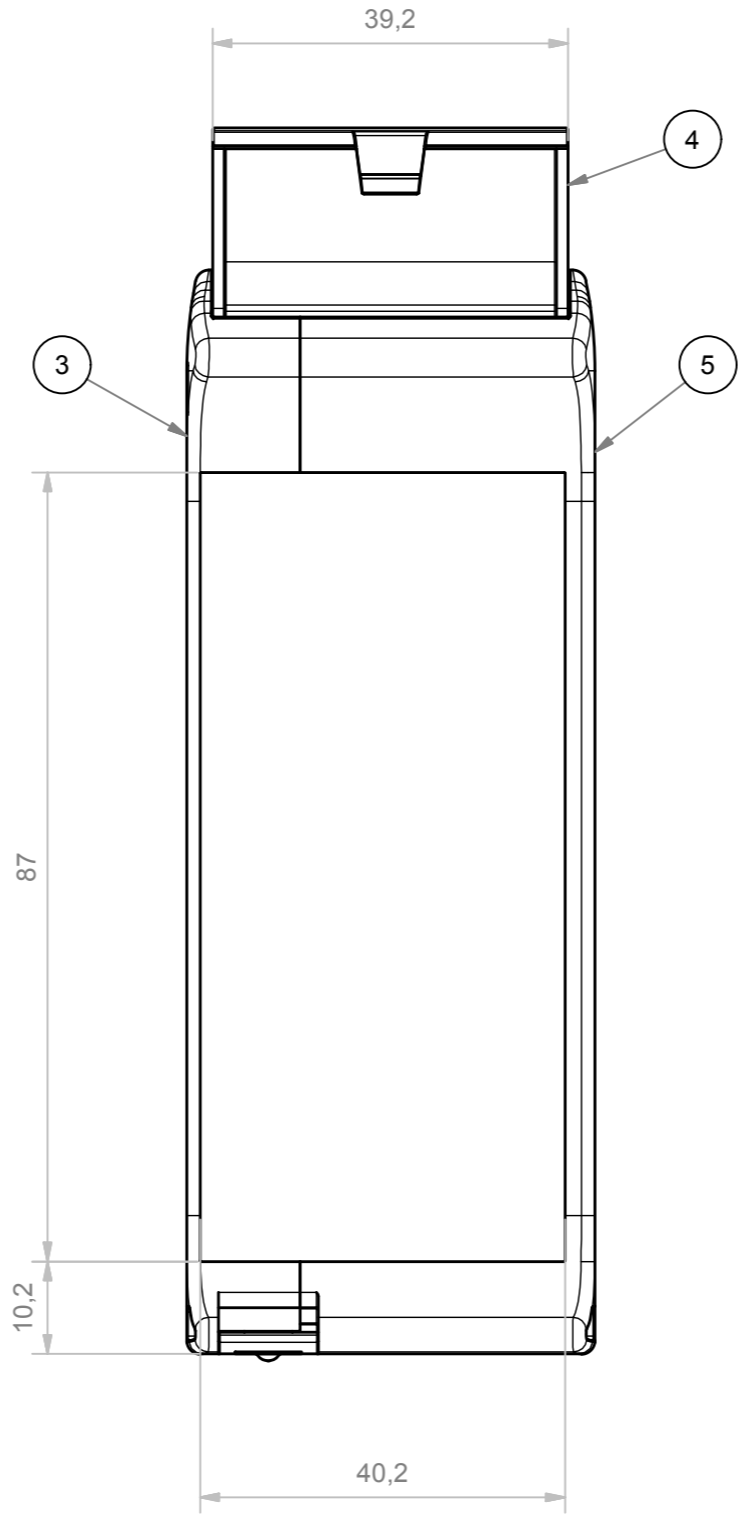


1,5
2,5
1,8±0,1
37,7
1,5



101

119,5



39,2

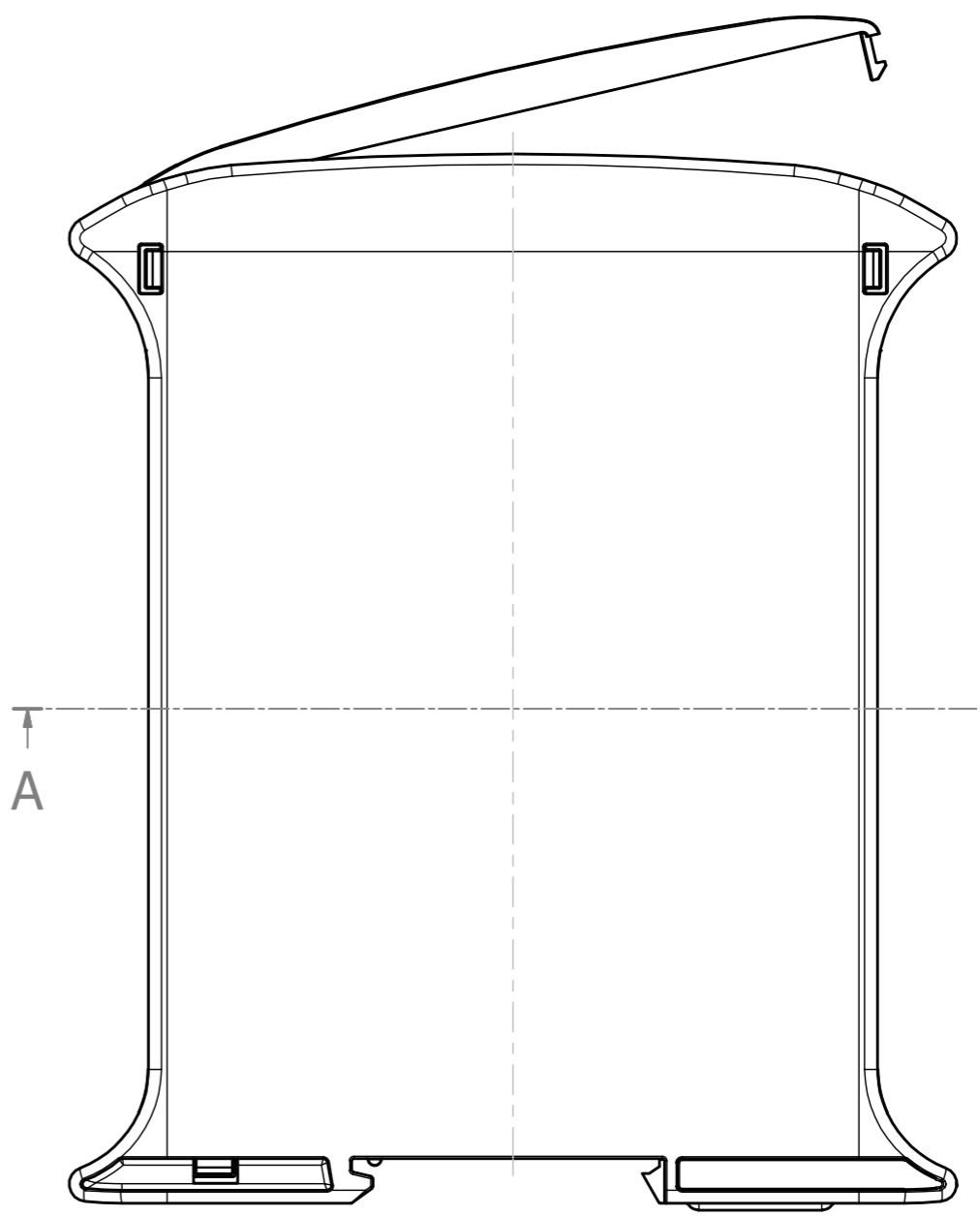
87

40,2

3

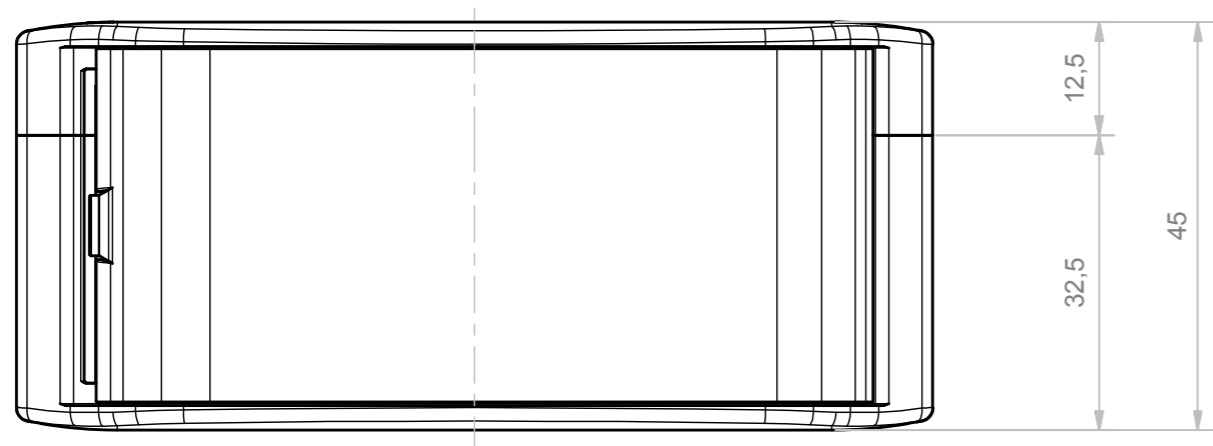
4

5



A

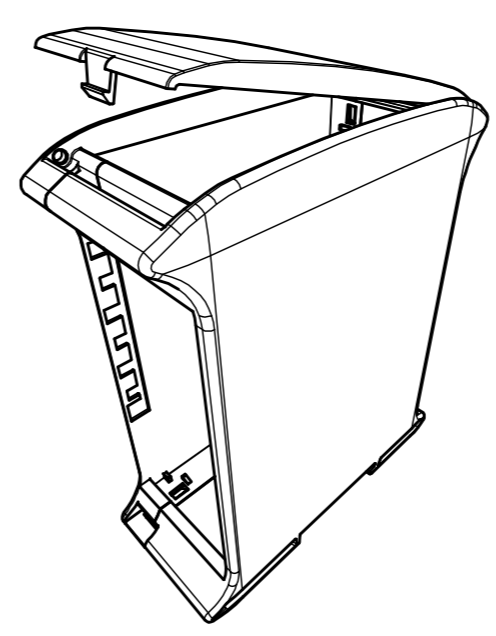
A



12,5

32,5

45



RIF.	Q.TY	DESCRIPTION	CODE
1	1	SPRING FOR HOOK RAILBOX	P1000000M
2	1	RED HOOK RAILBOX	R-00249
3	1	BASE RAILBOX 12.5 MM 3L	R-03429
4	1	FRONT HINGED 39 mm	R-02890
5	1	COVER RAILBOX 32.5 MM 3L LARGE PANEL	R-03502

Da 0,5 a 3	Oltre 3 fino a 6	Oltre 6 fino a 30	Oltre 30 fino a 120	Oltre 120
± 0,1	± 0,1	± 0,2	± 0,3	± 0,5

RESERVED PROPERTY The present drawing cannot be reproduced or communicated to 3d parties, even partially, without the authorization of ITALTRONIC Srl. Italtronic reserves to protect its own rights according to the law.	Dimension in mm	SHEET NR. 1 / 1	DRAWING BY Manual modification are not allowed	GENERAL TOLERANCE UNI EN 22768/1 Media (m)	5 4 3 2 1 Revision description
Drawn: Mazzucato F.	Checked: Mazzucato F.	Scale:			

UN PARTNER PER IL FUTURO

Denomination:

Railbox Plug&Fix 45 mm 2 PCB large Panel

Drawing nr.

R-03436-00

ITALTRONIC S.R.L.
 VIA AUSTRIA 25/D 35127
 PADOVA - ITALY
www.italtronic.com

X-ON Electronics

Largest Supplier of Electrical and Electronic Components

Click to view similar products for [Italtronic](#) manufacturer:

Other Similar products are found below :

[01.107L057](#) [01.109L057](#) [01.109L114](#) [01.112L057](#) [01.112L075](#) [01.509L057](#) [01.509L100](#) [03.4340000](#) [03.4350000](#) [05.0102530](#) [05.0202530](#)
[05.0202680](#) [05.0302350](#) [05.0302530](#) [05.0402530](#) [05.0402680](#) [05.0404530](#) [05.0502530](#) [05.0601530](#) [05.0601680](#) [05.0602530](#) [05.0602680](#)
[05.0901530](#) [05.0901680](#) [05.0902350](#) [05.0902530](#) [05.0902680](#) [06.2000000](#) [06.2050000](#) [06.2080000](#) [06.2110000](#) [06.2710000](#) [06.2730000](#)
[06.3150000](#) [07.6000000](#) [07.6010000](#) [07.6020000](#) [07.6030000](#) [07.6040000](#) [07.6070000](#) [07.6080000](#) [07.6100000](#) [07.6110000](#) [07.6120000](#)
[07.6130000](#) [07.6140000](#) [07.6320000](#) [07.6330000](#) [07.6340000](#) [07.6350000](#)