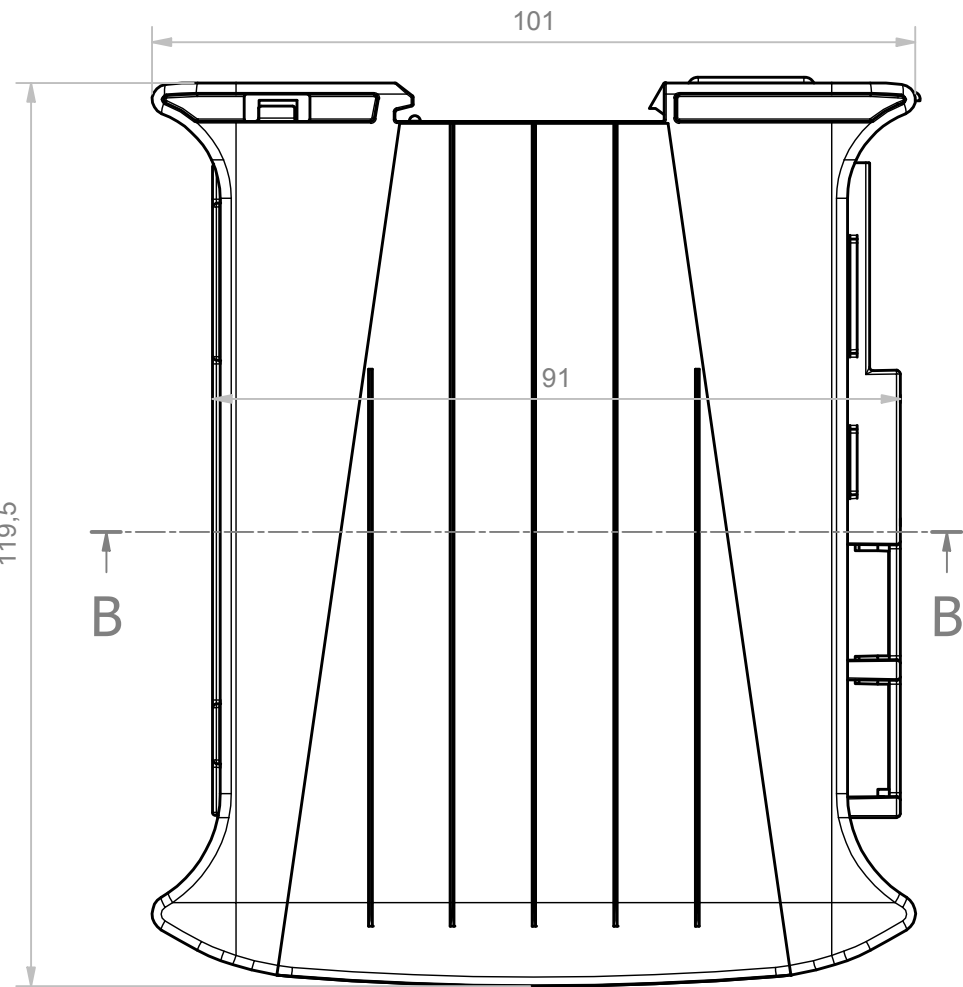
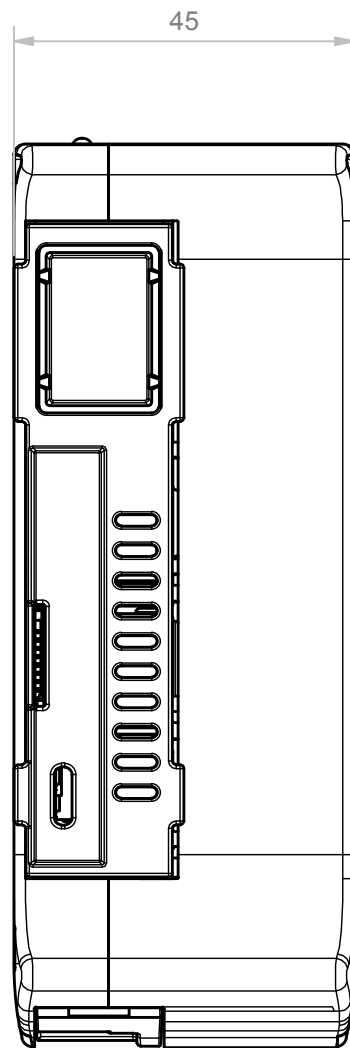
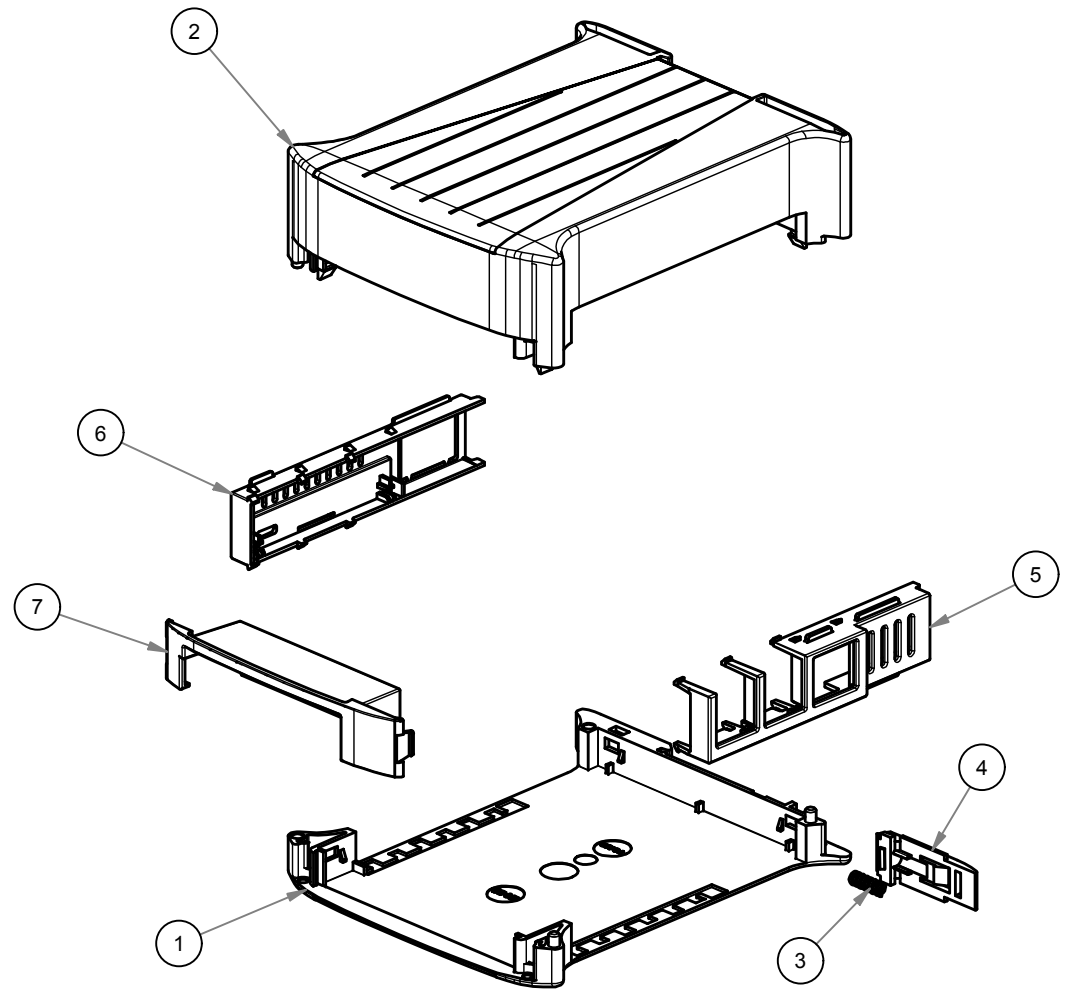
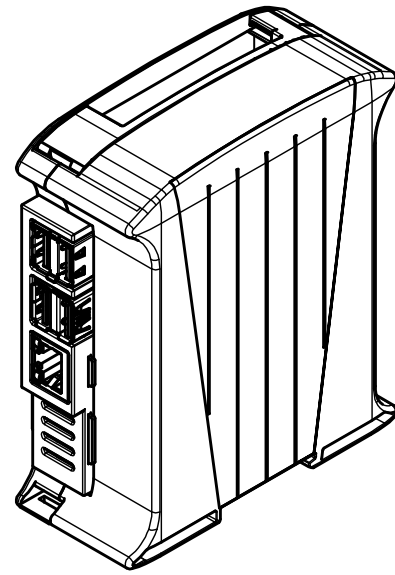
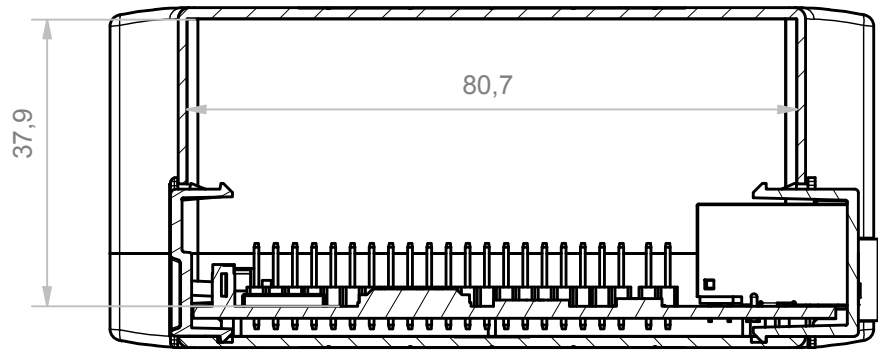


B-B (1:1)



RIF.	Q.TY	DESCRIPTION	DRAWING
1	1	BASE RAILBOX 12.5 MM 3L	2_110_00033
2	1	COVER RAILBOX PLUG&FIX 32.5 MM	2_110_00038
3	1	SPRING FOR HOOK RAILBOX	2_110_00011
4	1	HOOK RAILBOX	2_110_00032
5	1	ACCESSORY LEFT FOR RAILBOX RASPBERRY PI 4	2_110_00035
6	1	ACCESSORY RIGHT FOR RAILBOX RASPBERRY PI 4	2_110_00036
7	1	FRONT PANEL FOR RAILBOX RASPBERRY PI 4	2_110_00037

General Tolerance UNI EN 22768/1 Media (m)				
from 0.5 to 3	from 3 to 6	from 6 to 30	from 30 to 120	from 120 to 400
± 0.1	± 0.1	± 0.2	± 0.3	± 0.5
Scale: 1 : 1	Sheet nr.: 1 / 1	Drawn: R.N.	Checked: R.N.	Date: 03/02/2020
Dimension in mm		Material:	Weight:	Cod. Mold:
 enclosures for electronics italtronic.com		Description: KIT 45 RAILBOX RASPBERRY PI 4 KIT 45 RAILBOX RASPBERRY PI 4		Rev.
Drawing nr.			3_050_00037	

RESERVED PROPERTY: The present drawing cannot be reproduced or communicated to 3rd parties, even partially, without the authorization of ITALTRONIC Srl. Italtronic reserves to protect its own rights according to the law.

## X-ON Electronics

Largest Supplier of Electrical and Electronic Components

*Click to view similar products for* [Enclosures, Boxes & Cases](#) *category:*

*Click to view products by* [Italtronic](#) *manufacturer:*

Other Similar products are found below :

[M-10-PLATED](#) [60221-01](#) [M17-L-PLN](#) [M-21-PLATED](#) [63310-01-000](#) [6711GSKT](#) [90026-501-000](#) [PS36-200](#) [120-407](#) [138-PLAIN](#) [144011](#)  
[EAS-500 \(BLACK ANO\)](#) [2062750000](#) [KAB3421](#) [A0645271](#) [1928952](#) [2106-IR](#) [2792057](#) [2906241](#) [2906254](#) [H5031](#) [M-10-LID-PLATED](#)  
[CU-284](#) [402-BLACK](#) [MDC-532-PLAIN-ALUM](#) [B137](#) [5400TN](#) [UNC 2-4-6 PLAIN](#) [462-0020E](#) [0542100012](#) [043853](#) [103031](#) [11416P](#) [KR8-](#)  
[315](#) [UM-SE-A73-R BK](#) [2202158](#) [TUF 55 25 100 ME](#) [332-907](#) [4122](#) [EKJB](#) [24560-245](#) [736-409](#) [144012](#) [61-9480.6](#) [134573](#) [M18-L-PLTD](#)  
[73095-510-000](#) [CNM-0303 Black](#) [S3A-453213-S](#) [ALUG702RD040-IR](#) [07.6370000](#)