

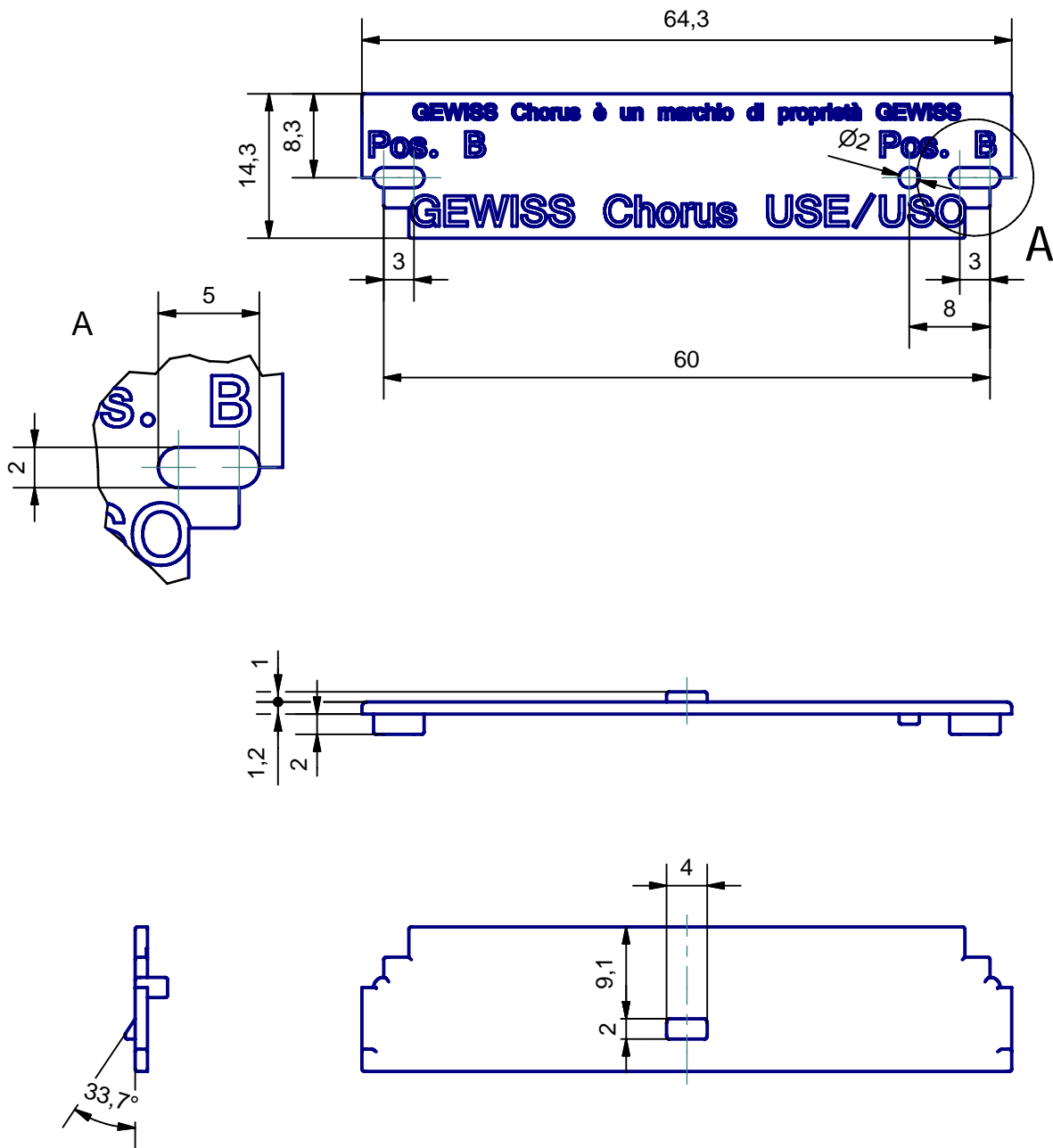
| | | | | | | | | | | |
|--|------------------|-----------------------|---------------------|---|--|---|---|---|---|---|
| Da 0,5 a 3 | Oltre 3 fino a 6 | Oltre 6 fino a 30 | Oltre 30 fino a 120 | Oltre 120 fino a 400 | | | | | | |
| ± 0,1 | ± 0,1 | ± 0,2 | ± 0,3 | ± 0,5 | | | | | | |
| RESERVED PROPERTY The present drawing cannot be reproduced or communicated to 3d parties, even partially, without the authorization of ITALTRONIC Srl. Italtronic reserves to protect its own rights according to the law. | | Dimension in mm | SHEET NR. 1 / 1 | DRAWING BY Manual modification are not allowed | GENERAL TOLERANCE UNI EN 22768/1 Media (m) | 5 | 4 | 3 | 2 | 1 |
| Date: 26/01/2010 | | Replace nr. | | Revision description | | | | | | |
| Drawed: Zorzato E. | | Checked: Mazzucato F. | | Scale: | | | | | | |



Denomination: **Accessorio ABB Chiara**

ITALTRONIC S.R.L.
 VIA AUSTRIA 25/D 35127
 PADOVA - ITALY
www.italtronic.com

Drawing nr.
C-02750-00

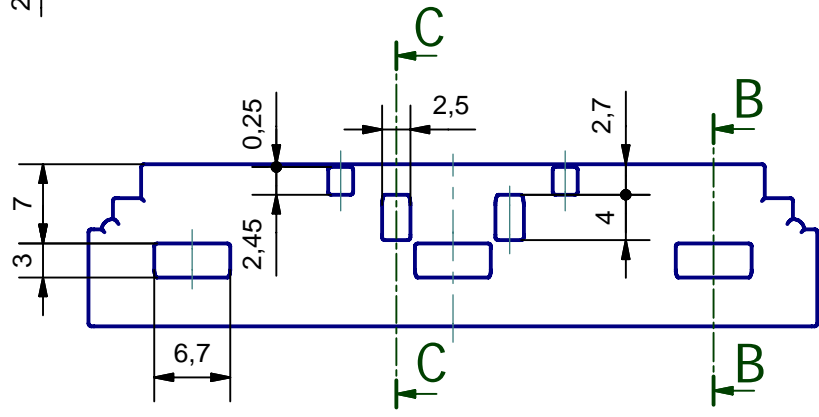
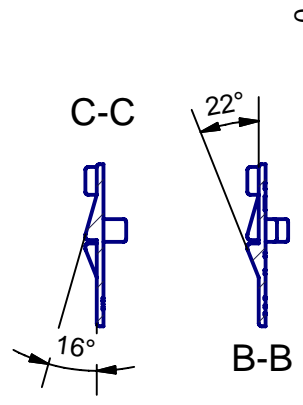
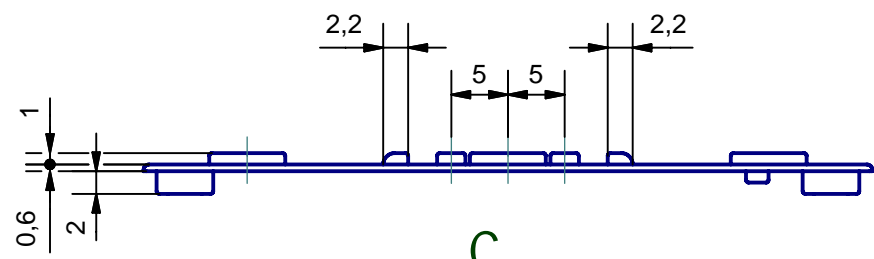
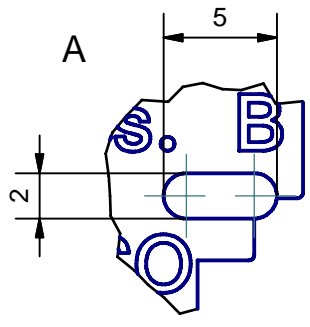
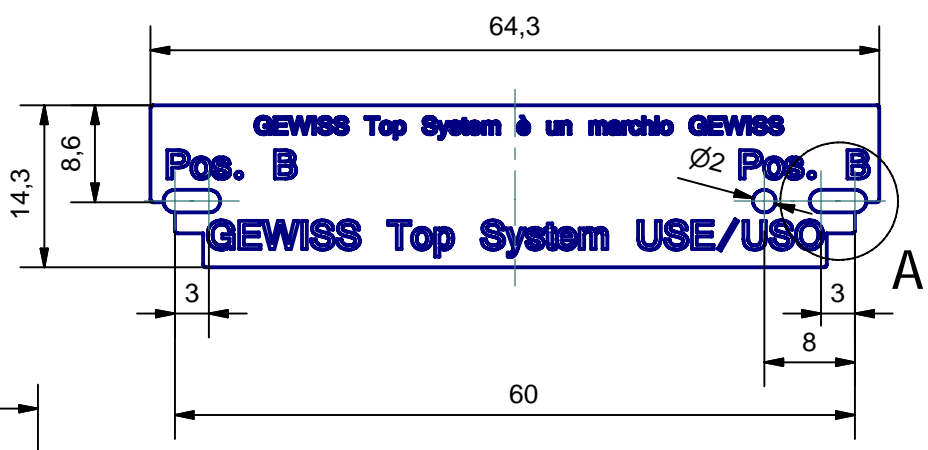


| | | | | | | | | | |
|--|--|--|--|--|--|--|--|--|--|
| | | | | | | | | | |
| | | | | | | | | | |
| | | | | | | | | | |
| | | | | | | | | | |
| | | | | | | | | | |
| | | | | | | | | | |
| | | | | | | | | | |
| | | | | | | | | | |
| | | | | | | | | | |
| | | | | | | | | | |

| | | | | | | | | | | |
|--|------------------|-----------------------|---------------------|---|--|---|---|---|---|---|
| Da 0,5 a 3 | Oltre 3 fino a 6 | Oltre 6 fino a 30 | Oltre 30 fino a 120 | Oltre 120 fino a 400 | | | | | | |
| ± 0,1 | ± 0,1 | ± 0,2 | ± 0,3 | ± 0,5 | | | | | | |
| RESERVED PROPERTY The present drawing cannot be reproduced or communicated to 3d parties, even partially, without the authorization of ITALTRONIC Srl. Italtronic reserves to protect its own rights according to the law. | | Dimension in mm | SHEET NR. 1 / 1 | DRAWING BY Manual modification are not allowed | GENERAL TOLERANCE UNI EN 22768/1 Media (m) | 5 | 4 | 3 | 2 | 1 |
| Date: 26/01/2010 | | Replace nr. | | Revision description | | | | | | |
| Drawed: Zorzato E. | | Checked: Mazzucato F. | | Scale: | | | | | | |

| | |
|--|--|
| UN PARTNER PER IL FUTURO | Denomination: Accessorio GEWISS Chorus |
| | Drawing nr. C-02753-00 |





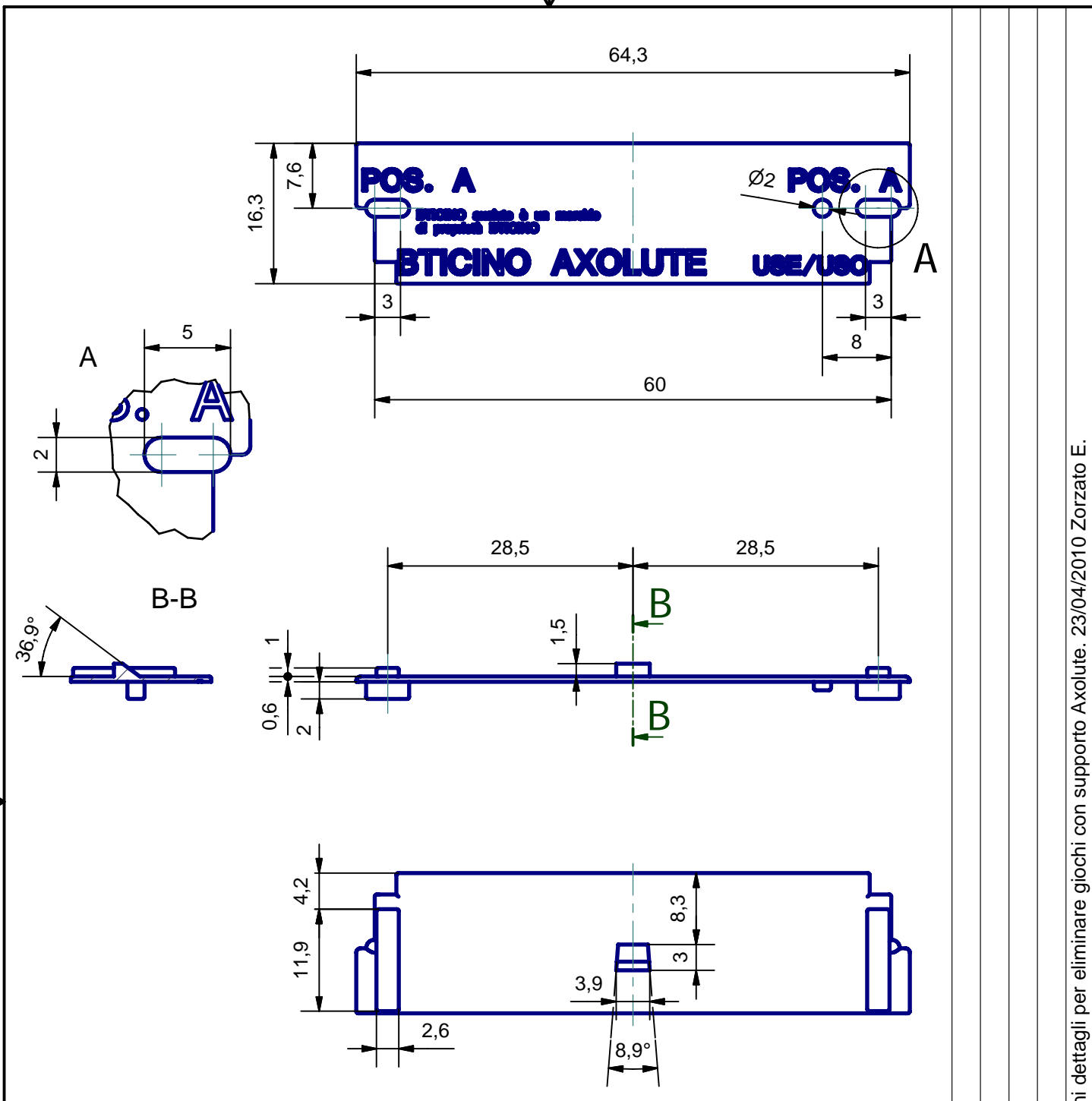
| | | | | | | | | | | |
|--|------------------|-----------------------|---------------------|---|--|---|---|---|---|---|
| Da 0,5 a 3 | Oltre 3 fino a 6 | Oltre 6 fino a 30 | Oltre 30 fino a 120 | Oltre 120 fino a 400 | | | | | | |
| $\pm 0,1$ | $\pm 0,1$ | $\pm 0,2$ | $\pm 0,3$ | $\pm 0,5$ | | | | | | |
| RESERVED PROPERTY The present drawing cannot be reproduced or communicated to 3d parties, even partially, without the authorization of ITALTRONIC Srl. Italtronic reserves to protect its own rights according to the law. | | Dimension in mm | SHEET NR. 1 / 1 | DRAWING BY Manual modification are not allowed | GENERAL TOLERANCE UNI EN 22768/1 Media (m) | 5 | 4 | 3 | 2 | 1 |
| Date: 26/01/2010 | | Replace nr. | | Revision description | | | | | | |
| Drawed: Zorzato E. | | Checked: Mazzucato F. | | Scale: | | | | | | |

Denomination: **Accessorio GEWISS Top System**

ITALTRONIC S.R.L.
 VIA AUSTRIA 25/D 35127 PADOVA - ITALY
www.italtronic.com

Drawing nr. **C-02754-00**

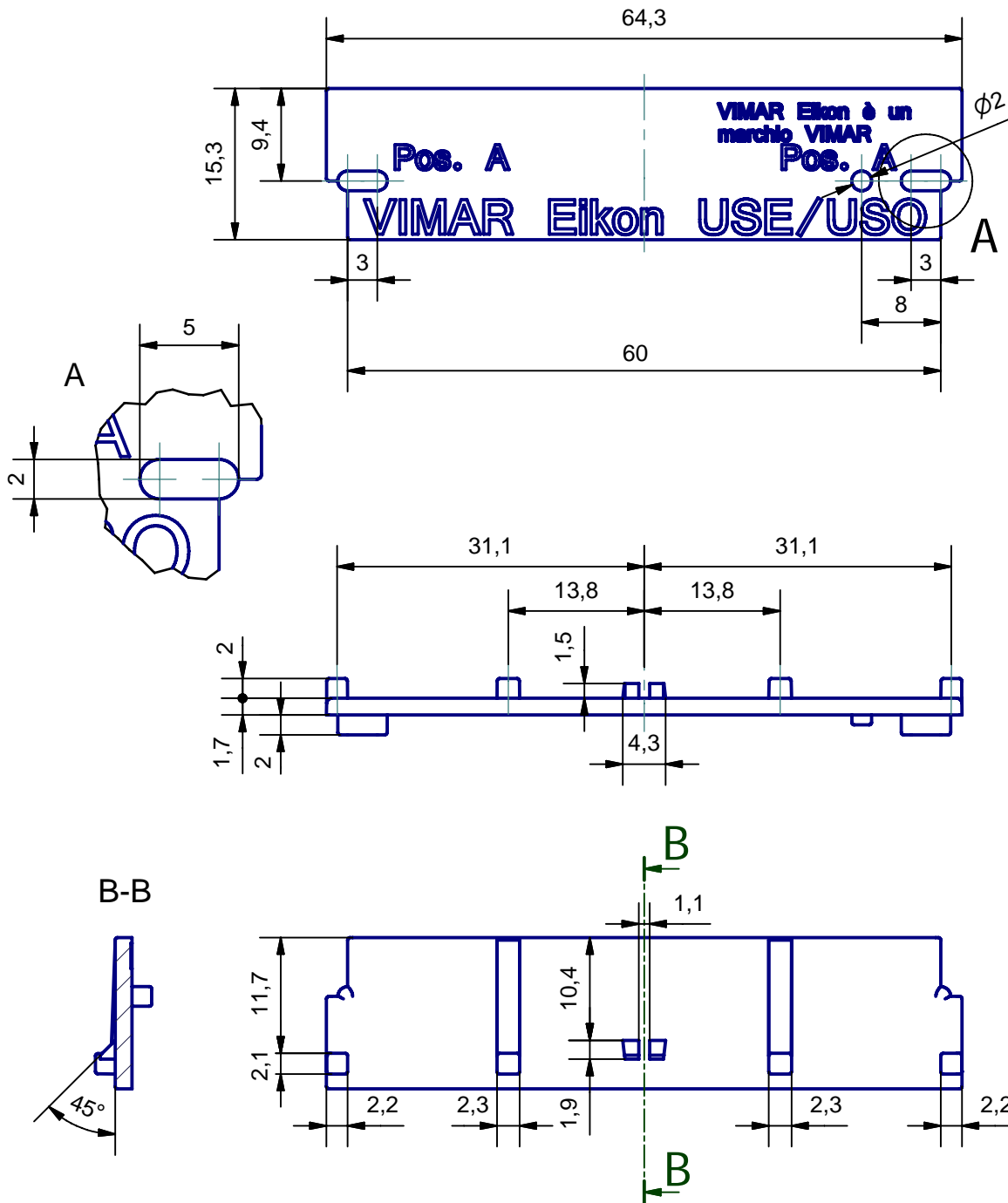




| | | | | | |
|--|------------------|-----------------------|---------------------|---|--|
| Da 0,5 a 3 | Oltre 3 fino a 6 | Oltre 6 fino a 30 | Oltre 30 fino a 120 | Oltre 120 fino a 400 | |
| ± 0,1 | ± 0,1 | ± 0,2 | ± 0,3 | ± 0,5 | |
| RESERVED PROPERTY The present drawing cannot be reproduced or communicated to 3d parties, even partially, without the authorization of ITALTRONIC Srl. Italtronic reserves to protect its own rights according to the law. | | Dimension in mm | SHEET NR. 1 / 1 | DRAWING BY Manual modification are not allowed | GENERAL TOLERANCE UNI EN 22768/1 Media (m) |
| Date: 26/01/2010 | | Replace nr. | | Revision description | |
| Drawed: Zorzato E. | | Checked: Mazzucato F. | | | |
| Scale: | | | | | |

| | |
|--|--|
| UN PARTNER PER IL FUTURO eternovica | Denomination: Accessorio BTICINO Axolute |
| | Drawing nr. C-02751-01 |

Modificati alcuni dettagli per eliminare giochi con supporto Axolute. 23/04/2010 Zorzato E.



| | | | | |
|------------|------------------|-------------------|---------------------|----------------------|
| Da 0,5 a 3 | Oltre 3 fino a 6 | Oltre 6 fino a 30 | Oltre 30 fino a 120 | Oltre 120 fino a 400 |
| $\pm 0,1$ | $\pm 0,1$ | $\pm 0,2$ | $\pm 0,3$ | $\pm 0,5$ |

RESERVED PROPERTY

The present drawing cannot be reproduced or communicated to 3d parties, even partially, without the authorization of ITALTRONIC Srl. Italtronic reserves to protect its own rights according to the law.



Dimension in mm

SHEET NR.

1 / 1

DRAWING BY



Manual modification are not allowed

GENERAL TOLERANCE
UNI EN 22768/1
Media (m)

5 4 3 2 1

Date: 27/01/2010

Replace nr.

Drawn: Zorzato E.

Checked: Mazzucato F.

Scale:

Revision description

Denomination:

Accessorio VIMAR Eikon

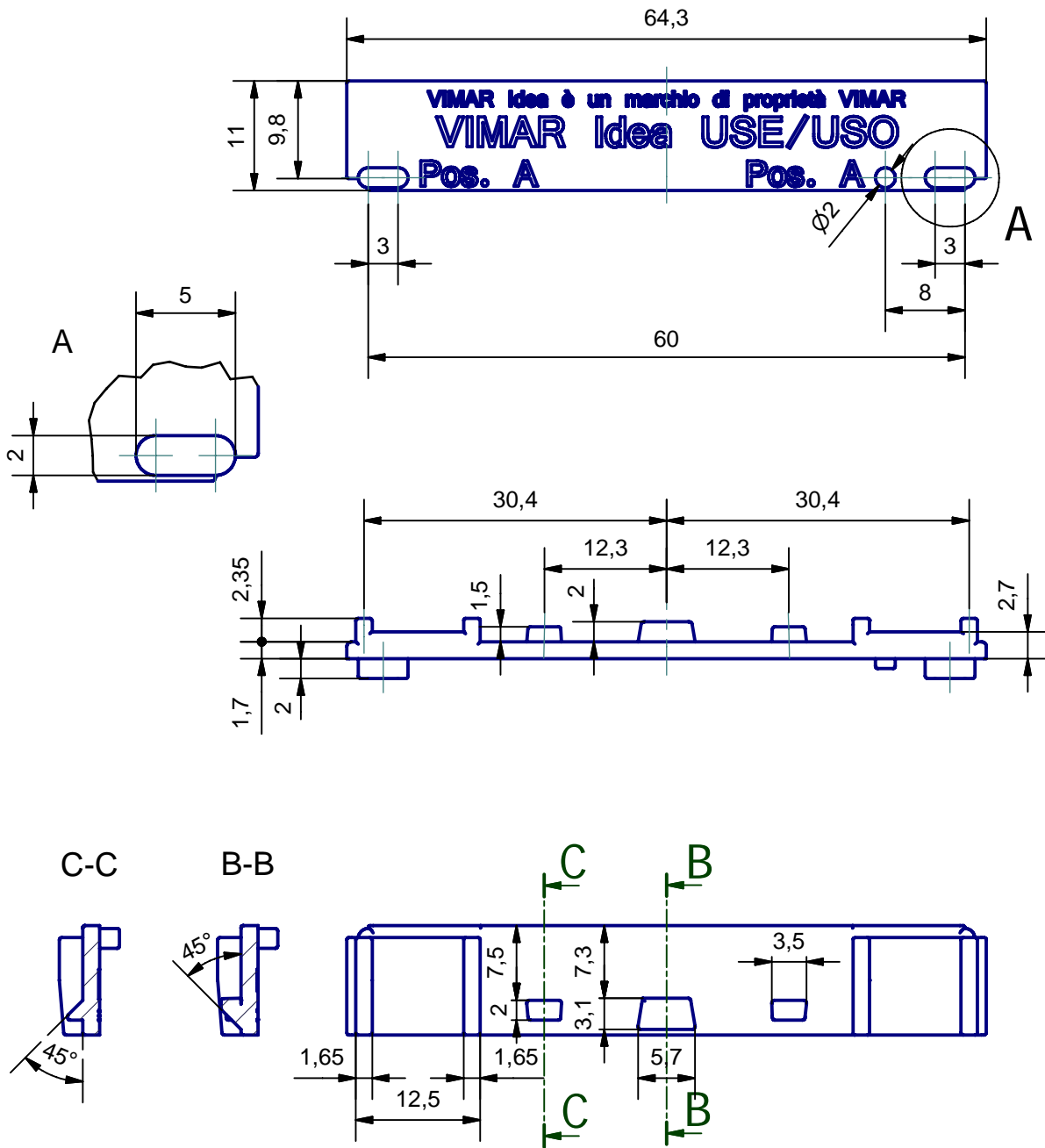


ITALTRONIC S.R.L.
VIA AUSTRIA 25/D 35127
PADOVA - ITALY
www.italtronic.com

Drawing nr.

C-02757-01

Modificati alcuni dettagli per eliminare giochi con supporto EIKON. 23/04/2010 Zorzato E.

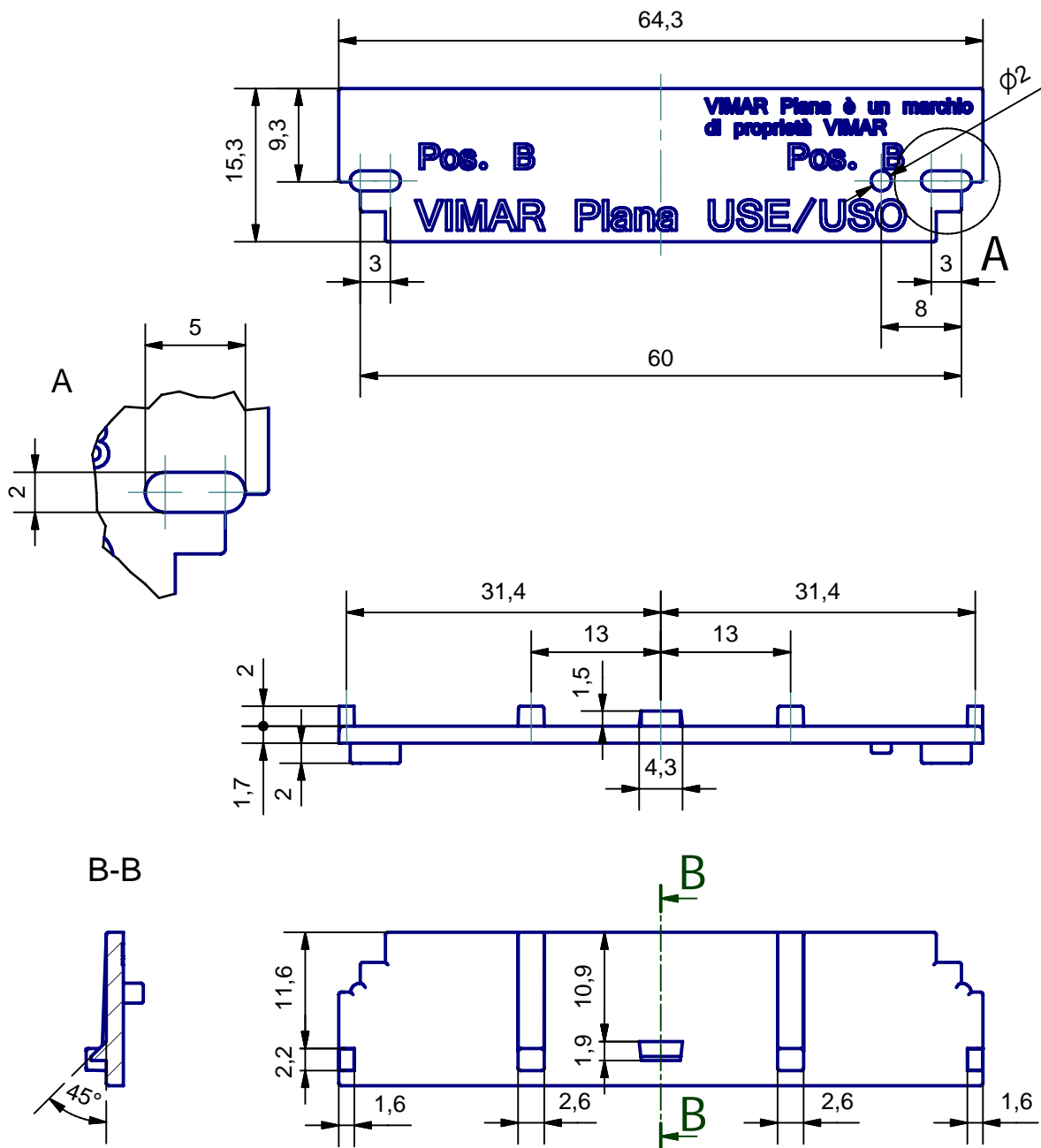


| | | | | |
|------------|------------------|-------------------|---------------------|----------------------|
| Da 0,5 a 3 | Oltre 3 fino a 6 | Oltre 6 fino a 30 | Oltre 30 fino a 120 | Oltre 120 fino a 400 |
| ± 0,1 | ± 0,1 | ± 0,2 | ± 0,3 | ± 0,5 |

| | | | | | | | | | |
|--|-----------------------|--------------------|---|---|---|---|---|---|---|
| RESERVED PROPERTY The present drawing cannot be reproduced or communicated to 3d parties, even partially, without the authorization of ITALTRONIC Srl. Italtronic reserves to protect its own rights according to the law. | Dimension in mm | SHEET NR. 1 / 1 | DRAWING BY Manual modification are not allowed | GENERAL TOLERANCE UNI EN 22768/1 Media (m) | 5 | 4 | 3 | 2 | 1 |
| | Date: 27/01/2010 | Replace nr. | Scale: | Revision description | | | | | |
| Drawed: Zorzato E. | Checked: Mazzucato F. | | | | | | | | |

| | |
|----------------------------------|--|
| UN PARTNER PER IL FUTURO | Denomination: Accessorio VIMAR Idea |
| | VIA AUSTRIA 25/D 35127 PADOVA - ITALY www.italtronic.com |
| Drawing nr. C-02758-01 | |

Modificati alcuni dettagli per eliminare giochi con supporto Idea. 23/04/2010 Zorzato E.



Modificati alcuni dettagli per eliminare giochi con supporto Plana. 23/04/2010 Zorzato E.

| | | | | | |
|--|------------------|-----------------------|---------------------|---|--|
| Da 0,5 a 3 | Oltre 3 fino a 6 | Oltre 6 fino a 30 | Oltre 30 fino a 120 | Oltre 120 fino a 400 | |
| ± 0,1 | ± 0,1 | ± 0,2 | ± 0,3 | ± 0,5 | |
| RESERVED PROPERTY The present drawing cannot be reproduced or communicated to 3d parties, even partially, without the authorization of ITALTRONIC Srl. Italtronic reserves to protect its own rights according to the law. | | Dimension in mm | SHEET NR. 1 / 1 | DRAWING BY Manual modification are not allowed | GENERAL TOLERANCE UNI EN 22768/1 Media (m) |
| Date: 28/01/2010 | | Replace nr. | | Revision description | |
| Drawn: Zorzato E. | | Checked: Mazzucato F. | | | |

5 4 3 2 1

| | |
|---|--|
| <p>UN PARTNER PER IL FUTURO</p> <p>eternovica</p> | Denomination: Accessorio VIMAR Plana |
| | Drawing nr. C-02759-01 |



X-ON Electronics

Largest Supplier of Electrical and Electronic Components

Click to view similar products for [Enclosures, Boxes & Cases](#) category:

Click to view products by [Italtronic](#) manufacturer:

Other Similar products are found below :

[585-R-WH-PK](#) [M-10-PLATED](#) [60221-01](#) [60566-01-000](#) [HPL-9VB BATT DOOR](#) [M18-PLTD](#) [M-21-PLATED](#) [63310-01-000](#) [6711GSKT](#)
[71884-29-028](#) [LH45-100 Black](#) [72868-510-000](#) [CNS-0000 Black](#) [72883-510-000](#) [CNS-0101 Black](#) [72906-510-000](#) [CNS-0407 Black](#) [73092-](#)
[510-000](#) [CNM-0101 Black](#) [73105-510-000](#) [CNL-0101 Black](#) [73108-510-000](#) [CNL-0303 Black](#) [73395-510-039](#) [CNS-0006 Bone](#) [74016-510-000](#)
[CNL-0006 Black](#) [74257-510-000](#) [CNL-0004](#) [MDC-1183-PLAIN-ALUM](#) [MDC-1183-PTD](#) [MDC-13104-PTD](#) [MDC-321-PTD](#) [MDC-973-PTD](#)
[76](#) [77153-01-028](#) [FLX6030](#) [83535-01-508](#) [90026-501-000](#) [PS36-200](#) [116-508](#) [120-407](#) [120-910](#) [127-908](#) [130-008](#) [1301170079](#)
[1322GSKTEP](#) [1325GSKT3](#) [138-PLAIN](#) [1434-1210](#) [EAS-500 \(BLACK ANO\)](#) [1804RP-RB-PK](#) [190-005](#) [2202307](#) [KAB3321 BLACK](#)
[KAB3421](#) [2697466](#) [S52213](#) [2901123](#) [2901699](#) [A0645271](#) [A20P20](#)