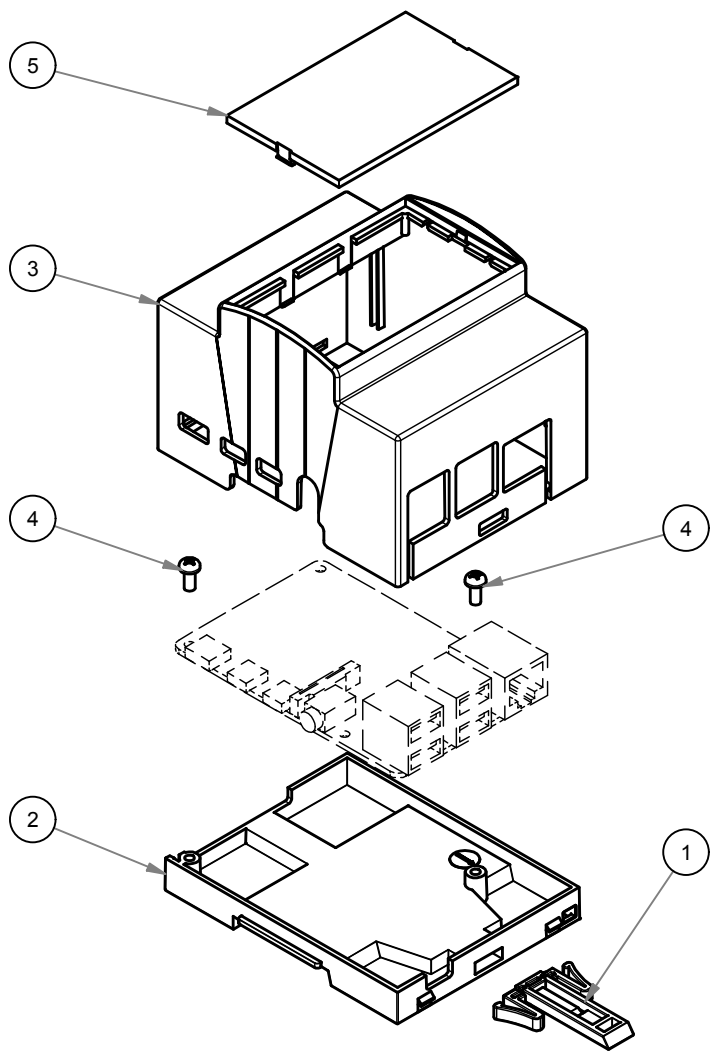
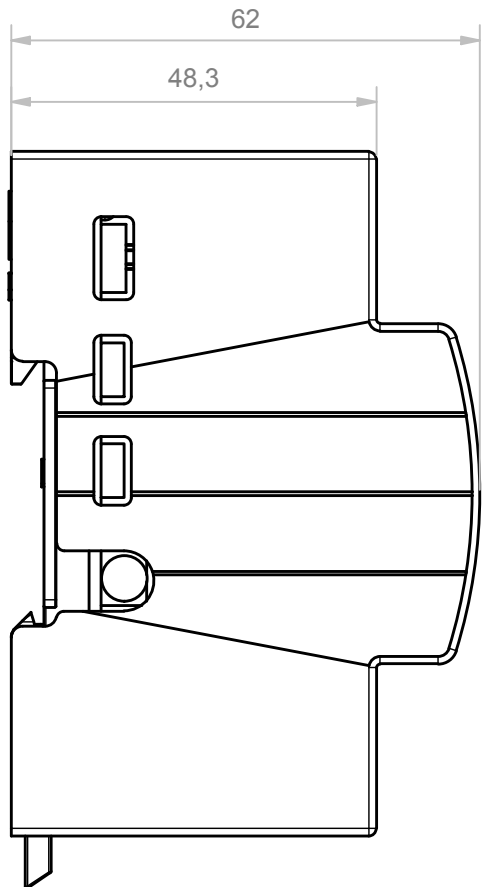
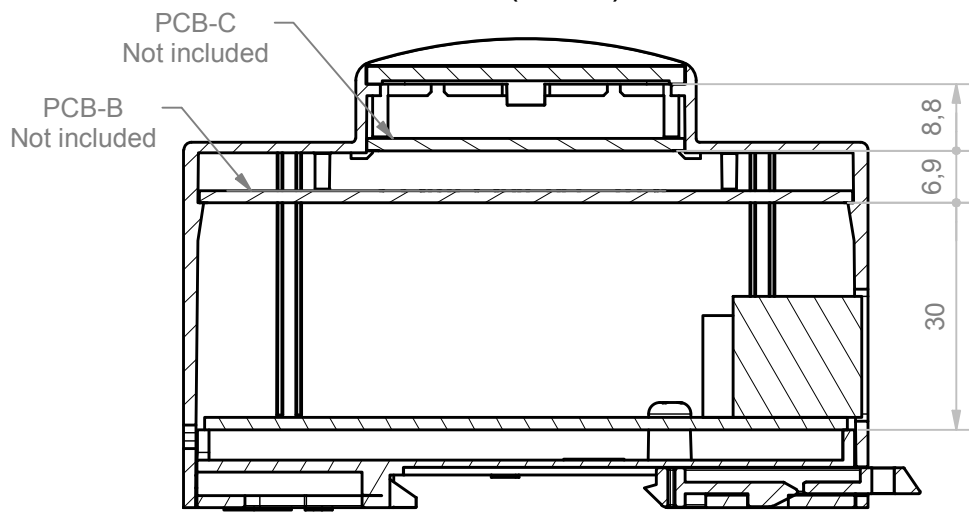


B-B (1:1)



RIF.	Q.TY	DESCRIPTION	DRAWING
1	1	MODULAR HOOK LONG	2_250_00072
2	1	BASE 4M XT WITH SPACERS FOR RASPBERRY PI B+/3/4 AND ODROID C1/C1+	2_050_00025
3	1	BODY ENCLOSURE 4M53-C XTS RASPBERRY PI4	2_050_00026
4	2	SCREW 2.9 X 6.5 TRUNC	8_100_00003
5	1	PANEL 4M WITHOUT FRAME	2_250_00088

General Tolerance UNI EN 22768/1 Media (m)				
from 0.5 to 3	from 3 to 6	from 6 to 30	from 30 to 120	from 120 to 400
± 0.1	± 0.1	± 0.2	± 0.3	± 0.5

Scale: 1:1	Sheet nr.: 1/1	Drawn: F.E.	Checked: R.N.	Date: 01/07/2019	Revision description
------------	----------------	-------------	---------------	------------------	----------------------

Material:	Weight:	Cod. Mold:
-----------	---------	------------

PCB TYPE	PCB DIMENSION	TOLERANCE
B	67.6X86.4X1.6	+/- 0.1 mm
C	67.4X42.0X1.6	+/- 0.1 mm

 www.italtronic.com techcare@italtronic.com	Description:	KIT 4M XTS RASPBERRY PI4 KIT 4M XTS RASPBERRY PI4
	Drawing nr.	3_050_00029

01	Revision description
01	Rev.

13/09/2019 R.N. Aggiornato vista con modifica del corpo.
 RESERVED PROPERTY: The present drawing cannot be reproduced or communicated to 3rd parties, even partially, without the authorization of ITALTRONIC Srl. Italtronic reserves to protect its own rights according to the law.

X-ON Electronics

Largest Supplier of Electrical and Electronic Components

Click to view similar products for [Enclosures, Boxes & Cases](#) category:

Click to view products by [Italtronic](#) manufacturer:

Other Similar products are found below :

[M-10-PLATED](#) [60221-01](#) [M17-L-PLN](#) [M-21-PLATED](#) [63310-01-000](#) [6711GSKT](#) [90026-501-000](#) [PS36-200](#) [120-407](#) [138-PLAIN](#) [144011](#)
[EAS-500 \(BLACK ANO\)](#) [2062750000](#) [KAB3421](#) [A0645271](#) [1928952](#) [2106-IR](#) [2792057](#) [2906241](#) [2906254](#) [H5031](#) [M-10-LID-PLATED](#)
[CU-284](#) [402-BLACK](#) [MDC-532-PLAIN-ALUM](#) [B137](#) [5400TN](#) [UNC 2-4-6 PLAIN](#) [462-0020E](#) [0542100012](#) [043853](#) [103031](#) [11416P](#) [KR8-](#)
[315](#) [UM-SE-A73-R BK](#) [2202158](#) [TUF 55 25 100 ME](#) [332-907](#) [4122](#) [EKJB](#) [24560-245](#) [736-409](#) [144012](#) [61-9480.6](#) [134573](#) [M18-L-PLTD](#)
[73095-510-000](#) [CNM-0303 Black](#) [S3A-453213-S](#) [ALUG702RD040-IR](#) [07.6370000](#)