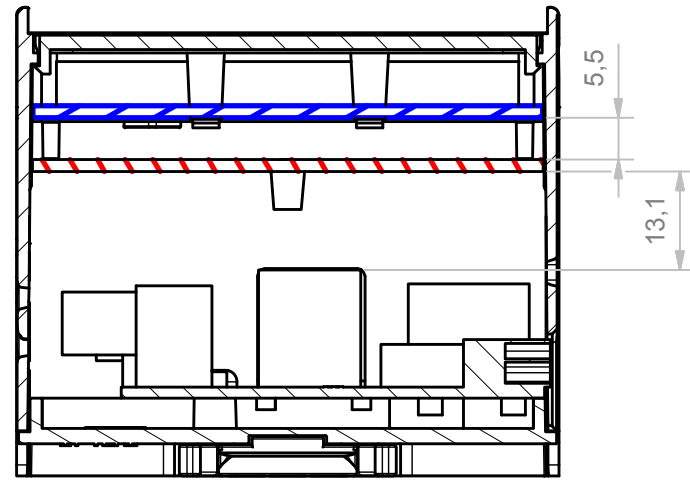
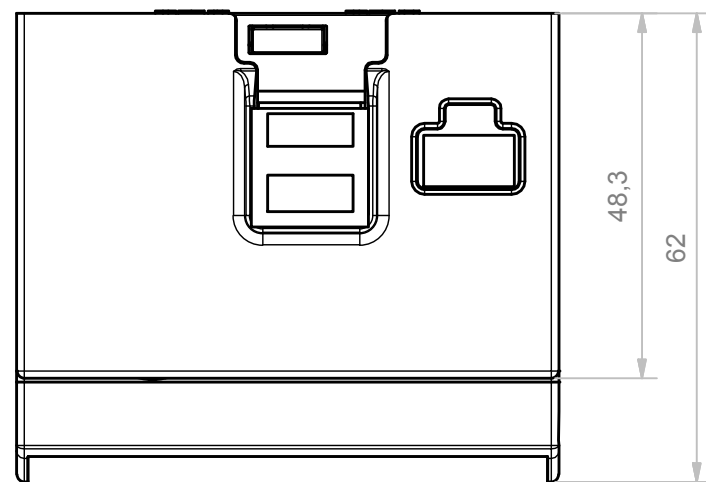
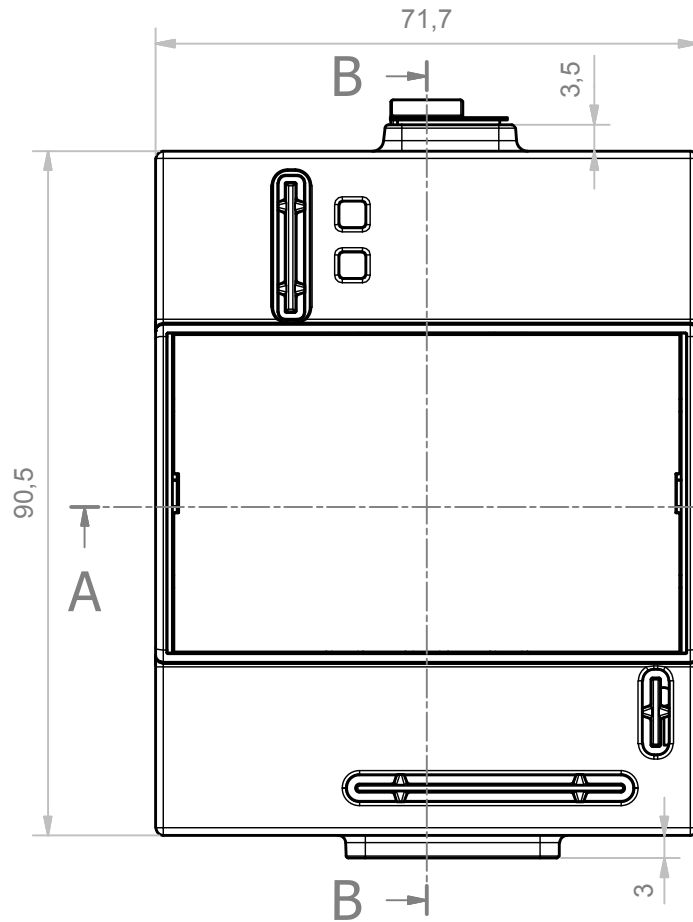
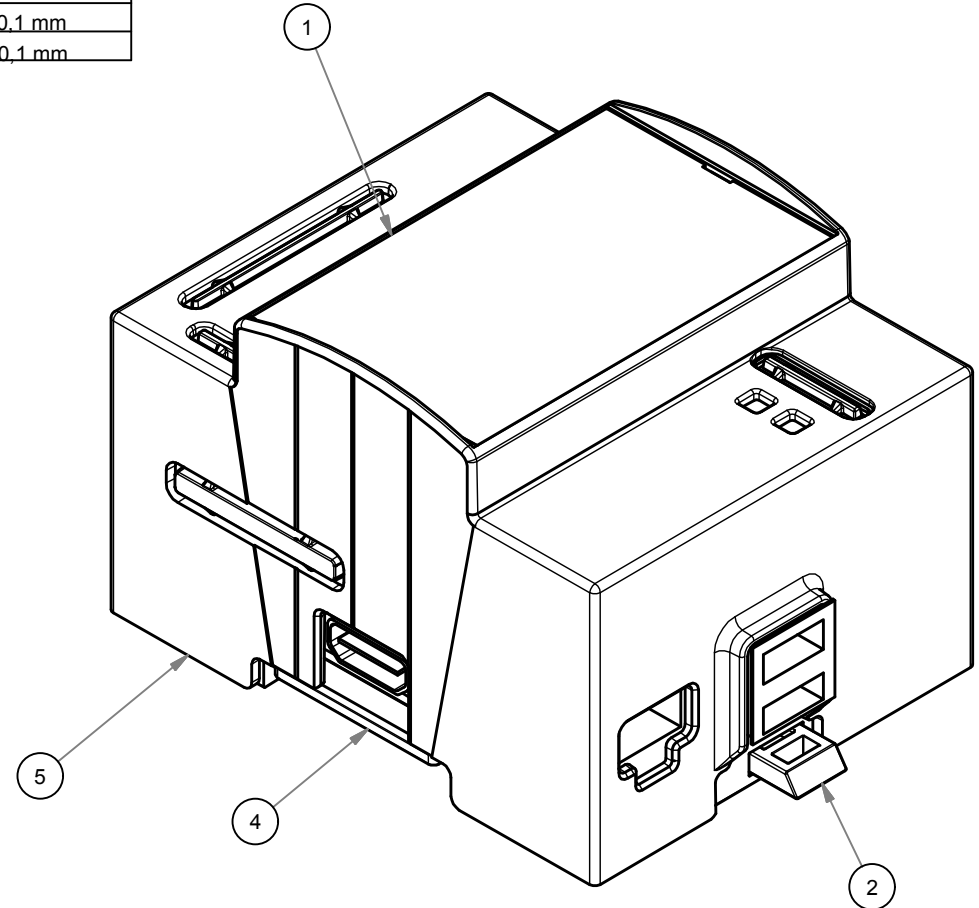
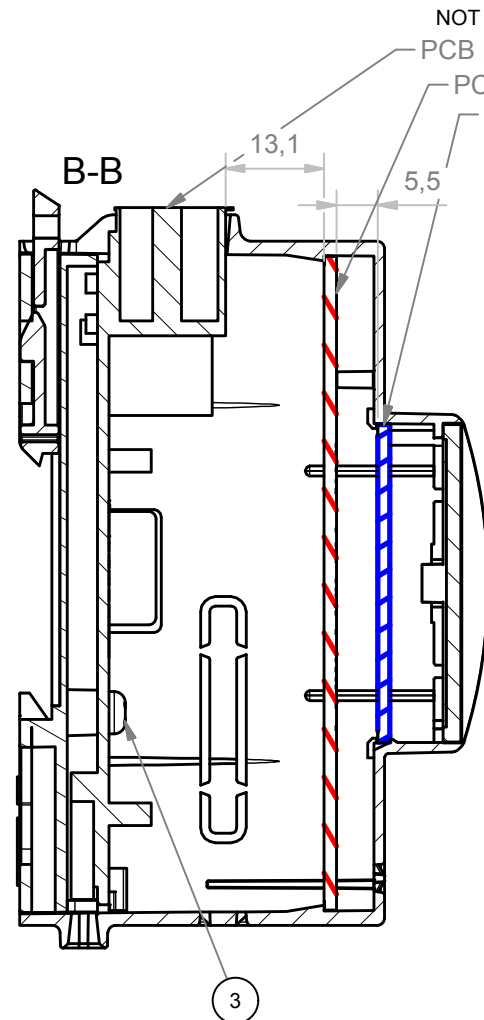


A-A



COMPONENTS LIST		
PCB TYPE	PCB DIMENSION	TOLERANCE
B	67.6X86.4	±0.1 mm
C	67.4X42.0	±0.1 mm

NOT INCLUDED
PCB RASPBERRY PI
PCB-B
PCB-C



RIF.	Q.TY	DESCRIPTION	DRAWING
1	1	PANEL 4M WITHOUT FRAME	1.001.00346
2	1	MODULAR HOOK LONG	1.001.01900
3	2	SCREW 2.9 X 6.5 TRUNC	8.100.00003
4	1	BASE 4M-XT RASPBERRY PI	1.001.05332
5	1	BODY XTS 4M53-C RASPBERRY PI B	2.250.00065

General Tolerance UNI EN 22768/1 Media (m)				
from 0.5 to 3	from 3 to 6	from 6 to 30	from 30 to 120	from 120 to 400
± 0.1	± 0.1	± 0.2	± 0.3	± 0.5

Scale: 1 : 1	Sheet nr.: 1 / 1	Drawn: F.F.	Checked:	Date: 24/08/2018
--------------	------------------	-------------	----------	------------------

Material:	Weight:	Cod. Mold:

	Description:	KIT 4M RASPBERRY KIT 4M RASPBERRY KIT 4M RASPBERRY KIT 4M RASPBERRY
	Drawing nr.	3.250.00047

www.italtronic.com techcare@italtronic.com	Rev. 01
---	---------

24/08/2018 F.F. Updated cartouche with new code (code passed M-05105-03)

RESERVED PROPERTY: The present drawing cannot be reproduced or communicated to 3rd parties, even partially, without the authorization of ITALTRONIC Srl. Italtronic reserves to protect its own rights according to the law.

X-ON Electronics

Largest Supplier of Electrical and Electronic Components

Click to view similar products for [Enclosures, Boxes & Cases](#) *category:*

Click to view products by [Italtronic](#) *manufacturer:*

Other Similar products are found below :

[M-10-PLATED](#) [60221-01](#) [M17-L-PLN](#) [M-21-PLATED](#) [63310-01-000](#) [6711GSKT](#) [90026-501-000](#) [PS36-200](#) [120-407](#) [138-PLAIN](#) [144011](#)
[EAS-500 \(BLACK ANO\)](#) [2062750000](#) [KAB3421](#) [A0645271](#) [1928952](#) [2106-IR](#) [2792057](#) [2906241](#) [2906254](#) [H5031](#) [M-10-LID-PLATED](#)
[CU-284](#) [402-BLACK](#) [MDC-532-PLAIN-ALUM](#) [B137](#) [5400TN](#) [UNC 2-4-6 PLAIN](#) [462-0020E](#) [0542100012](#) [043853](#) [103031](#) [11416P](#) [KR8-](#)
[315](#) [UM-SE-A73-R BK](#) [2202158](#) [TUF 55 25 100 ME](#) [332-907](#) [4122](#) [52213](#) [EKJB](#) [24560-245](#) [736-409](#) [144012](#) [61-9480.6](#) [134573](#) [M18-L-](#)
[PLTD](#) [73095-510-000](#) [CNM-0303](#) [Black](#) [S3A-453213-S](#) [ALUG702RD040-IR](#)