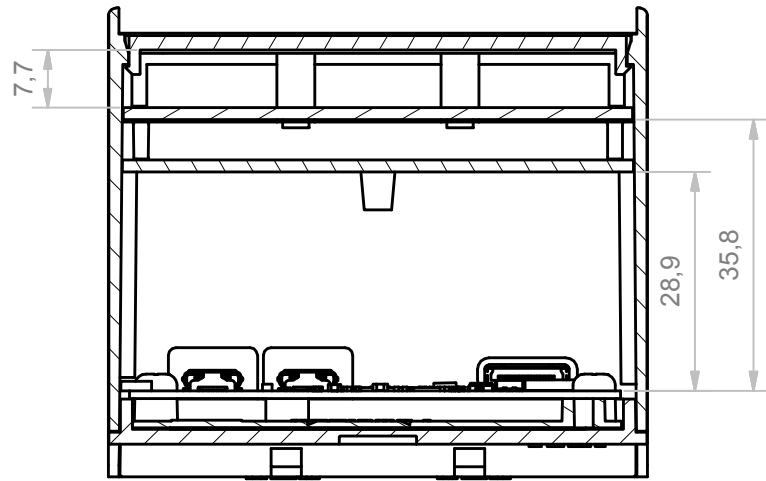
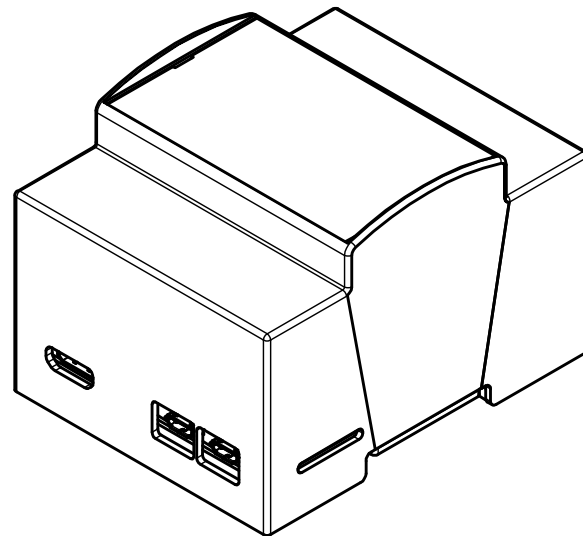
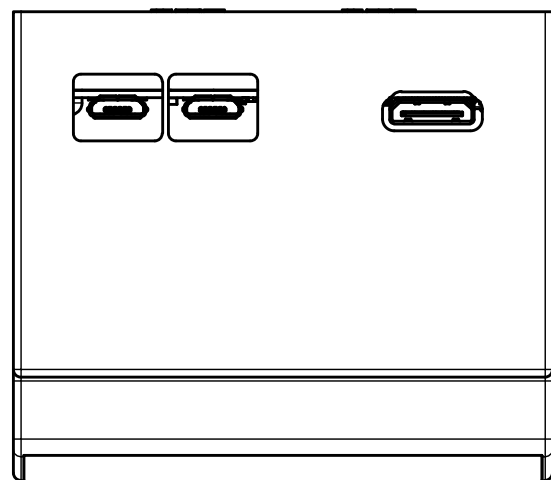
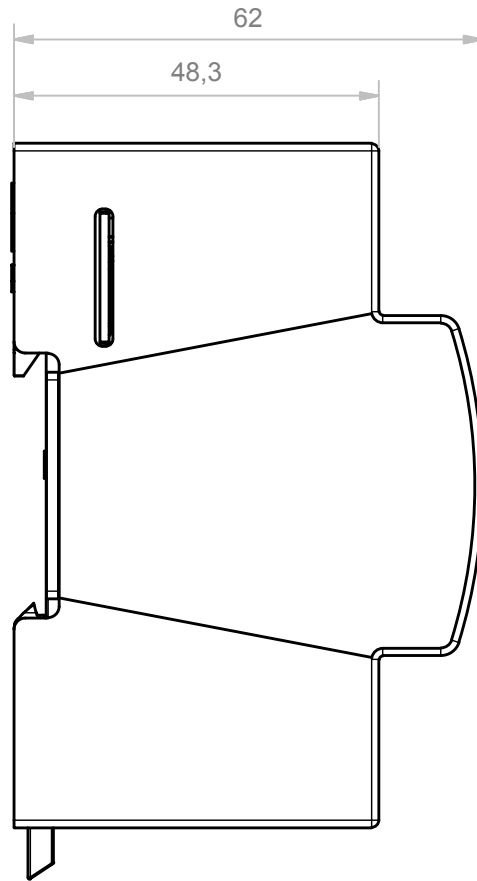
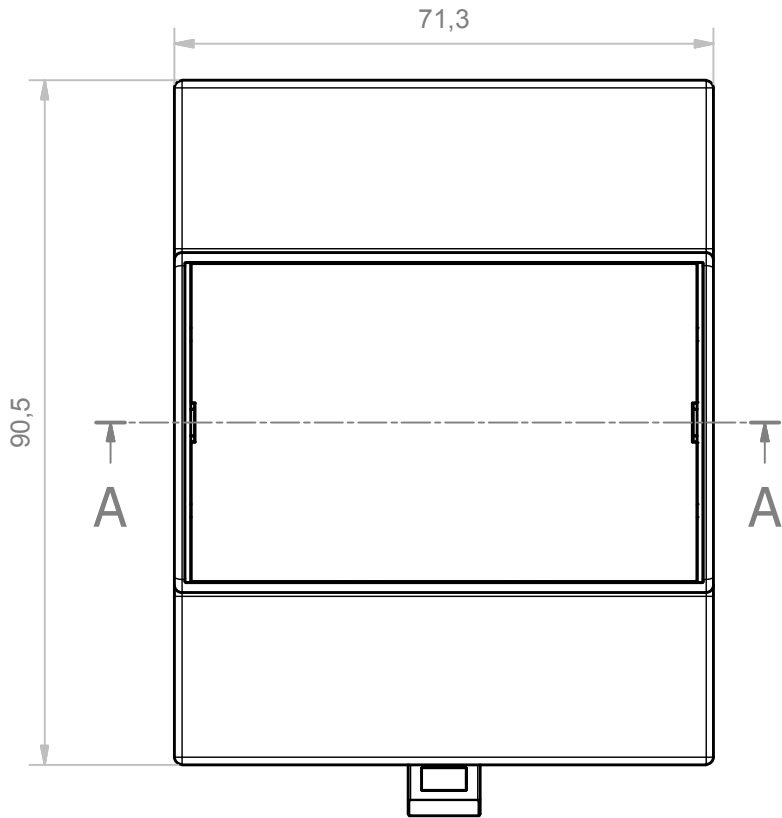
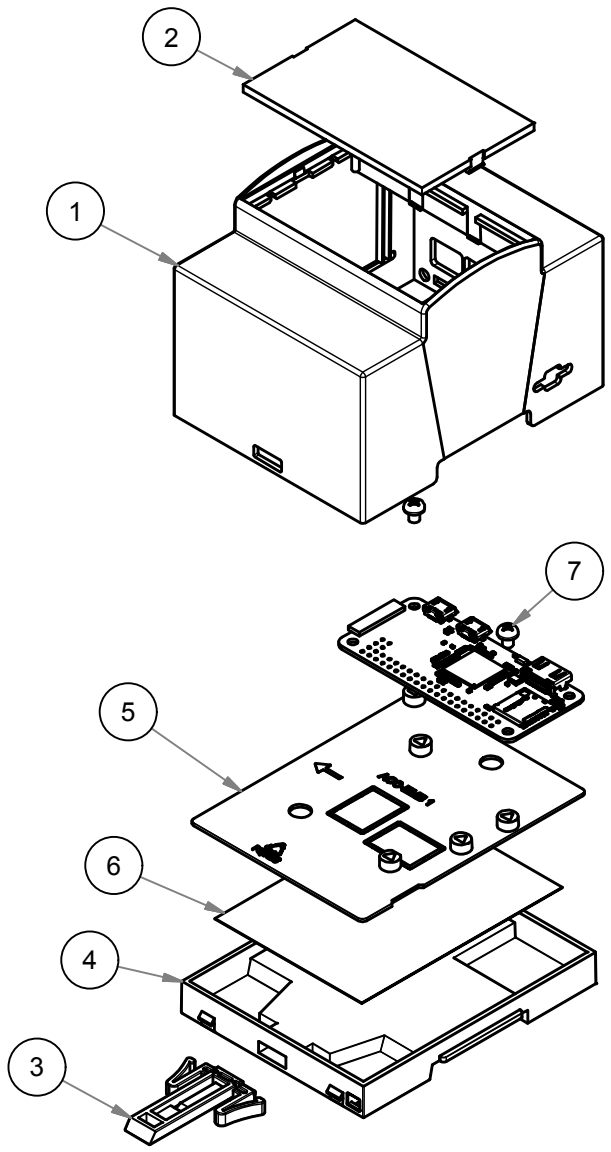


A-A (1:1)



| PCB TYPE | PCB DIMENSION | TOLERANCE |
|----------|---------------|-----------|
| B | 67.6X86.4X1.6 | +/- 0.1 |
| C | 67.4X42.0X1.6 | +/- 0.1 |



| RIF. | Q.TY | DESCRIPTION | DRAWING |
|------|------|---|-------------|
| 1 | 1 | BODY ENCLOSURE 4M XTS RASPBERRY PI ZERO | 2.050.00008 |
| 2 | 1 | PANEL 4M WITHOUT FRAME | 1.001.00346 |
| 3 | 1 | MODULAR HOOK LONG | 1.001.01900 |
| 4 | 1 | BASE MODULBOX XT/XTS - 4M | 1.001.01990 |
| 5 | 1 | ACCESSORY FOR BASE EMBEDDED EMB1 | 2.050.00001 |
| 6 | 1 | ADHESIVE FOR ACCESSORY BASE EMBEDDED | 2.050.00005 |
| 7 | 2 | SCREW 2.9 X 4.5 TC | 8.100.00013 |

| General Tolerance UNI EN 22768/1 Media (m) | | | | |
|---|---------------------|--|----------------------|---------------------|
| from 0.5 to 3 | from 3 to 6 | from 6 to 30 | from 30 to 120 | from 120 to 400 |
| ± 0.1 | ± 0.1 | ± 0.2 | ± 0.3 | ± 0.5 |
| Scale: 1 : 1 | Sheet nr.: 1 / 1 | Drawn: N.R. | Checked: Fanin F. | Date: 20/03/2018 |
| Dimension in mm | | Material: | Weight: | Volume: |
| | | Description: CONTENITORE COMPLETO 4M XTS RASPBERRY PI ZERO COMPLETE ENCLOSURE 4M XTS RASPBERRY PI ZERO | | |
| www.italtronic.com techcare@italtronic.com | | Drawing nr. 3.050.00003 | | Rev. 01 |

Updated cartouche with new code (code passed M-07446-00) - 20/03/18 N.R.

RESERVED PROPERTY: The present drawing cannot be reproduced or communicated to 3rd parties, even partially, without the authorization of ITALTRONIC Srl. Italtronic reserves to protect its own rights according to the law.

X-ON Electronics

Largest Supplier of Electrical and Electronic Components

Click to view similar products for [Enclosures, Boxes & Cases](#) category:

Click to view products by [Italtronic](#) manufacturer:

Other Similar products are found below :

[M-10-PLATED](#) [60221-01](#) [M17-L-PLN](#) [M-21-PLATED](#) [63310-01-000](#) [6711GSKT](#) [90026-501-000](#) [PS36-200](#) [120-407](#) [138-PLAIN](#) [144011](#)
[EAS-500 \(BLACK ANO\)](#) [2062750000](#) [KAB3421](#) [A0645271](#) [1928952](#) [2106-IR](#) [2792057](#) [2906241](#) [2906254](#) [H5031](#) [M-10-LID-PLATED](#)
[CU-284](#) [402-BLACK](#) [MDC-532-PLAIN-ALUM](#) [B137](#) [5400TN](#) [UNC 2-4-6 PLAIN](#) [462-0020E](#) [0542100012](#) [043853](#) [103031](#) [11416P](#) [KR8-](#)
[315](#) [UM-SE-A73-R BK](#) [2202158](#) [TUF 55 25 100 ME](#) [332-907](#) [4122](#) [EKJB](#) [24560-245](#) [736-409](#) [144012](#) [61-9480.6](#) [134573](#) [M18-L-PLTD](#)
[73095-510-000](#) [CNM-0303 Black](#) [S3A-453213-S](#) [ALUG702RD040-IR](#) [07.6370000](#)