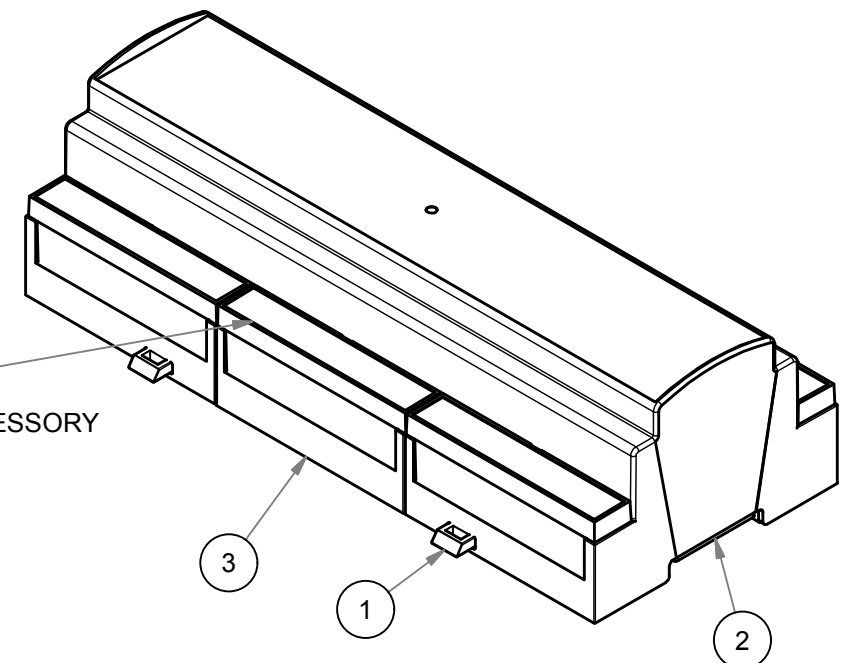
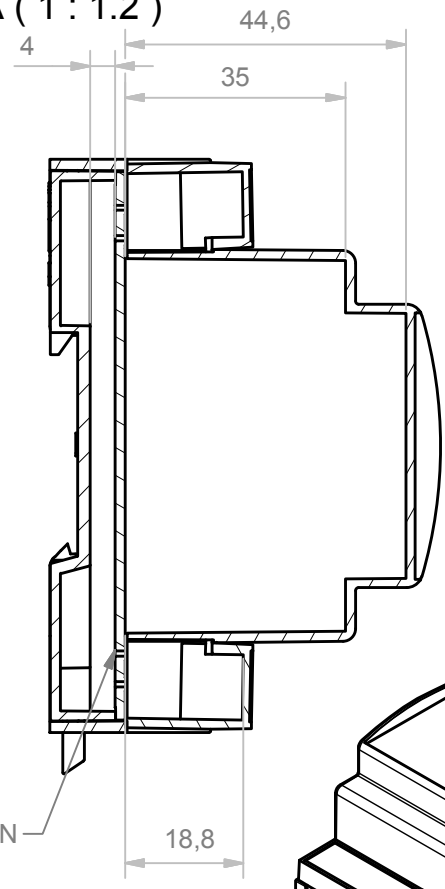
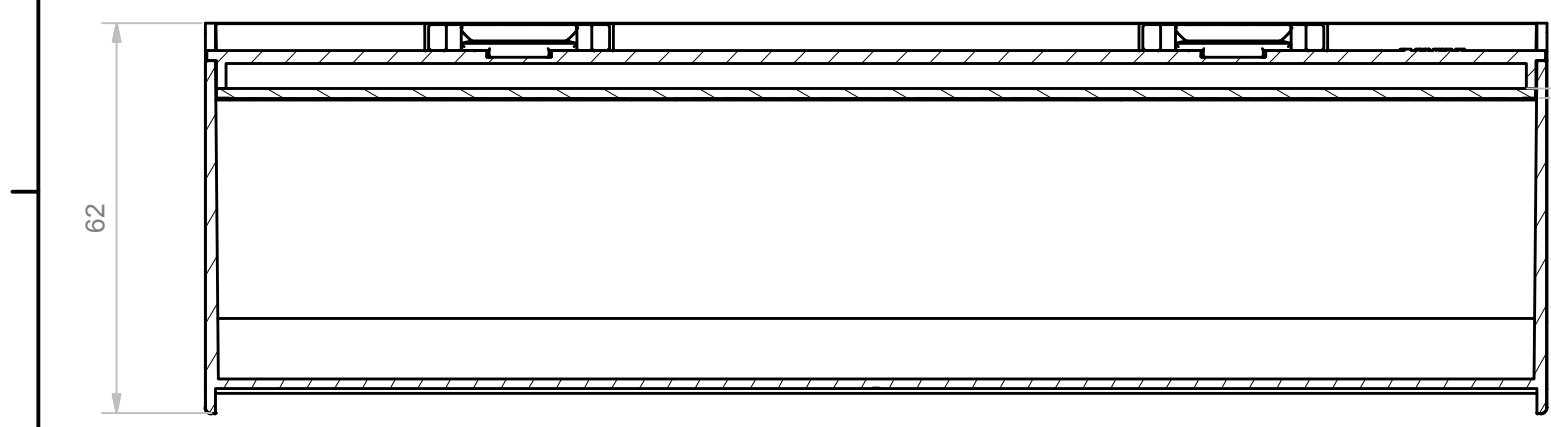


A-A (1 : 1.2)



B-B (1 : 1.2)

BOARD THICKNESS TYP



RIF.	Q.TY	DESCRIPTION	CODE
1	2	HOOK MODULBOX LONG	M-01900-02
2	1	BASE MODULBOX XT/XTS 12M	M-01951-04
3	1	CORPO CONTENITORE MODULBOX XTS 12MC53-A	M-02630-00
4	6	TERMINAL COVER 4MPN	M-00219

RESERVED PROPERTY: The present drawing cannot be reproduced or communicated to 3d parties, even partially, without the authorization of ITALTRONIC Srl. Italtronic reserves to protect its own rights according to the law.

GENERAL TOLERANCE	UNI EN 22768/1 Media (m)	Drawn:	Checked:	Revision description
SHEET NR.	Dimension in mm	DRAWING BY	Fanin F.	Dalla Montà D.
1 / 1			Date:	Scale: 1 : 1.2
		Manual modification are not allowed	09/06/2016	Replace nr.
		Denomination:		Part number:
		CONTENITORE COMPLETO MODULBOX XTS 12MC53-A		
		COMPLETE ENCLOSURE MODULBOX XTS 12MC53-A		
		ITALTRONIC S.R.L.		Drawing nr.
UN PARTNER PER IL FUTURO		VIA AUSTRIA 25/D 35127 PADOVA - ITALY		M-04140-01
		www.italtronic.com		

5 4 3 2 1

X-ON Electronics

Largest Supplier of Electrical and Electronic Components

Click to view similar products for [Italtronic](#) manufacturer:

Other Similar products are found below :

[25.0101000.BL](#) [07.6350020](#) [6MDH53/7.5](#) [33.0614000.UNO](#) [61.6061000](#) [P05030204T](#) [P05030201T](#) [01.112L075](#) [12.0000010](#) [P05040201P](#)
[61.6100002](#) [P05120821F](#) [16.209L075](#) [10.0000175](#) [9M/821P](#) [25.1201000.BL](#) [07.6411915](#) [4MH53/7.5](#) [P05090201F.BL](#) [9MDH53/5](#)
[08.1190000](#) [6MDH53/5](#) [P05020215T.BL](#) [P05020204T.BL](#) [P05020208T.BL](#) [16.4333000](#) [33.0414000.UNO](#) [25.0906000.BL](#) [16.211L124](#)
[6M/821P](#) [25.0410000.UNO](#) [25.1210000.BL](#) [05.0901680](#) [06.3150000](#) [25.0406000.BL](#) [P05020721F](#) [P05020207T.BL](#) [5M/821P](#)
[25.0610000.BGB](#) [61.6041000](#) [P05040207T.BL](#) [P05080821F](#) [10.0012225.RPI](#) [11.4340000](#) [07.6320000](#) [07.6330000](#) [10.0051350](#)
[P05020202T.BL](#) [07.6650000](#) [07.6670100](#)