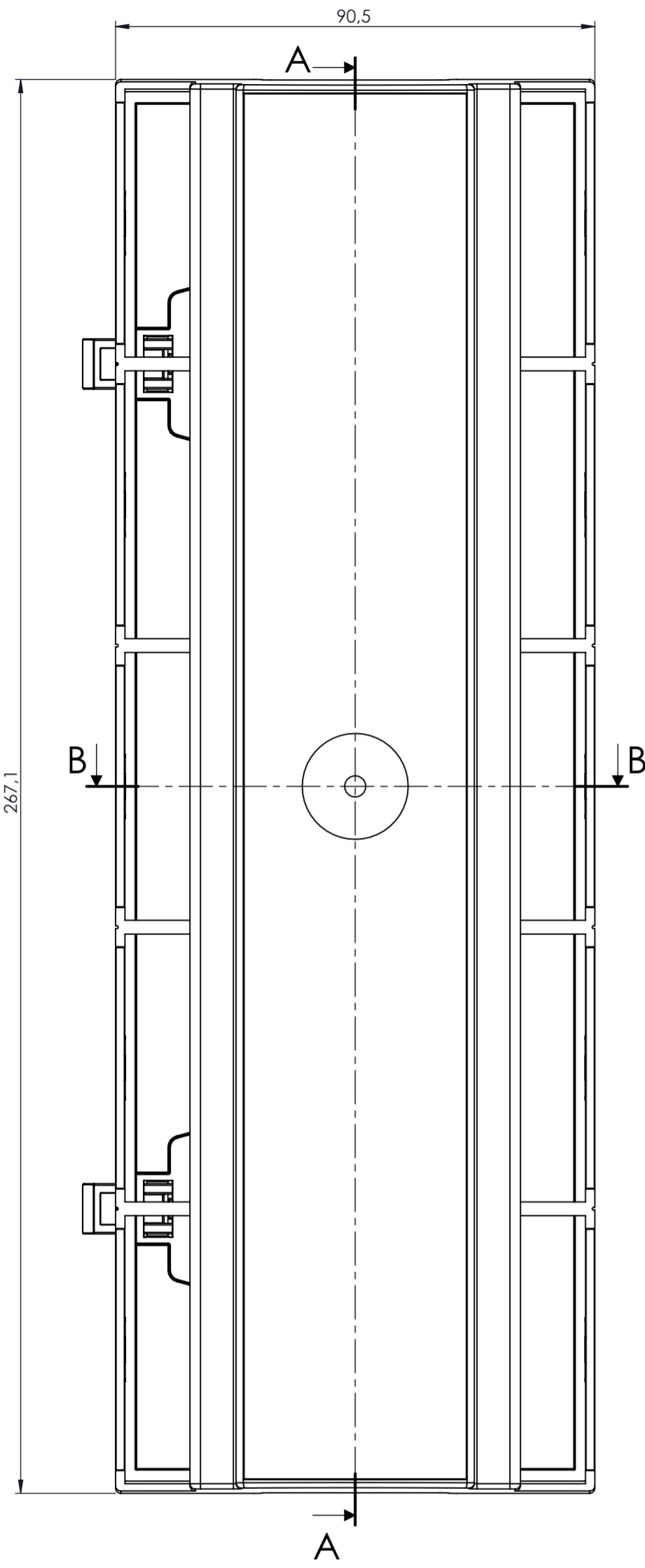
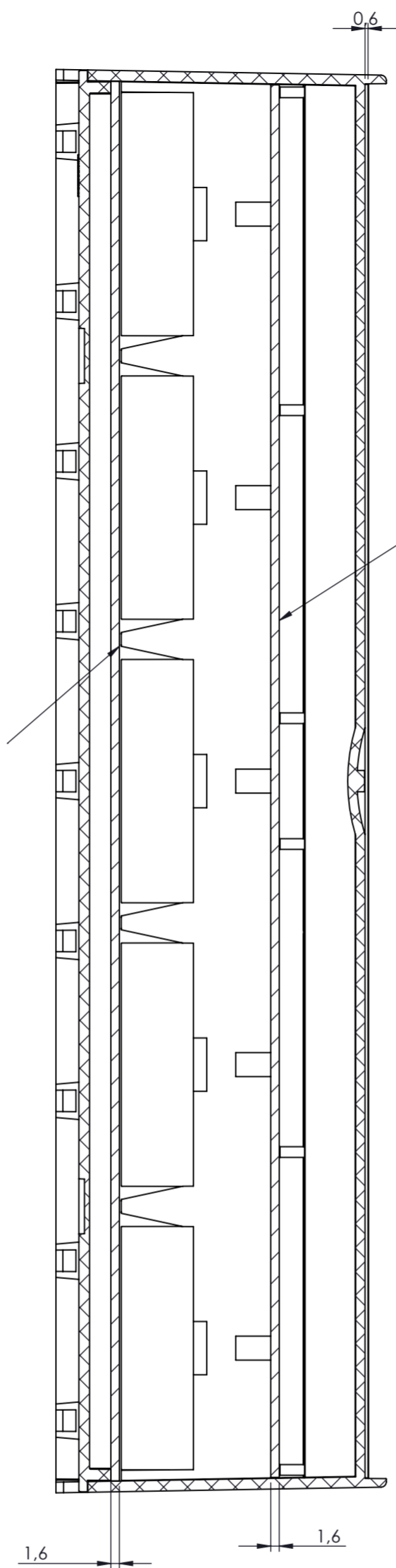


RIF.	Q.TY	DRAWING	DESCRIPTION
1	1	3_250_00058	BASE MODULBOX 15M
2	2	2_250_00072	MODULAR HOOK LONG
3	1	2_250_00090	BODY ENCLOSURE MODULBOX XTS CLOSED 15MHC53-A

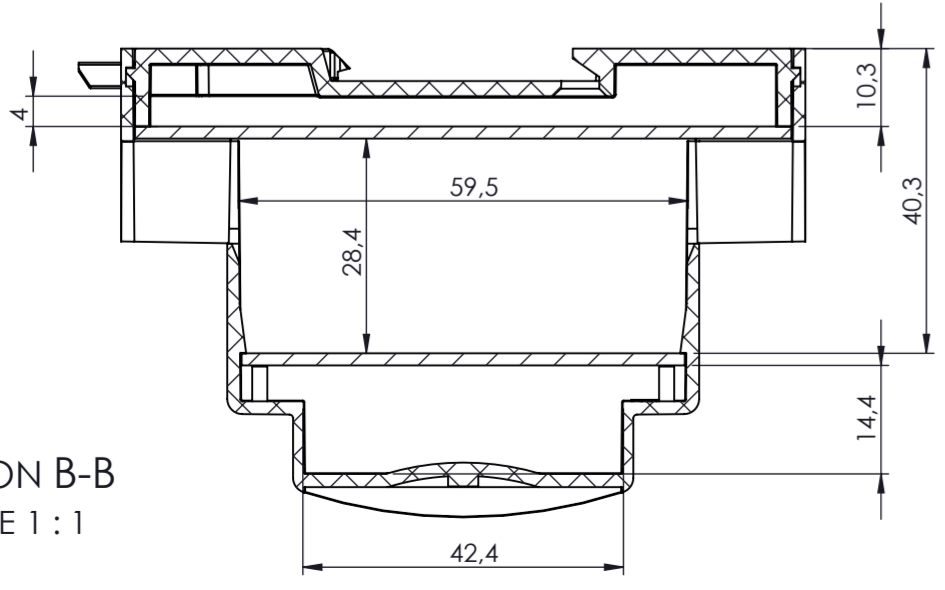
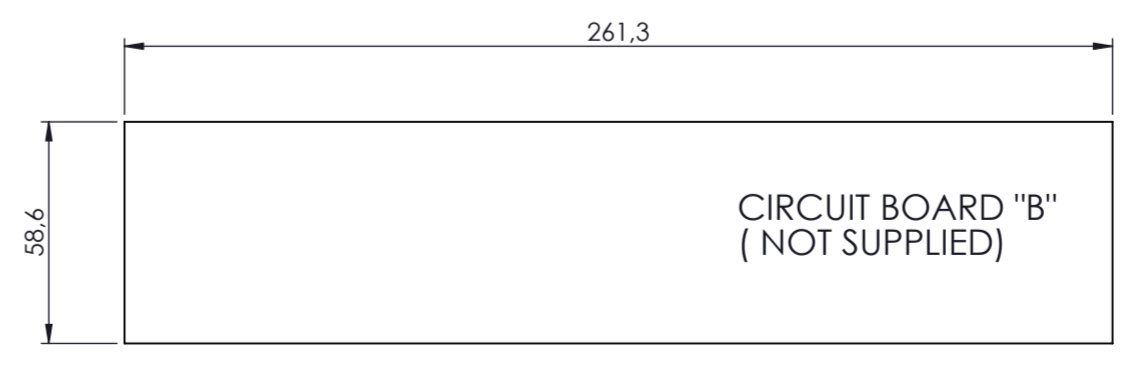
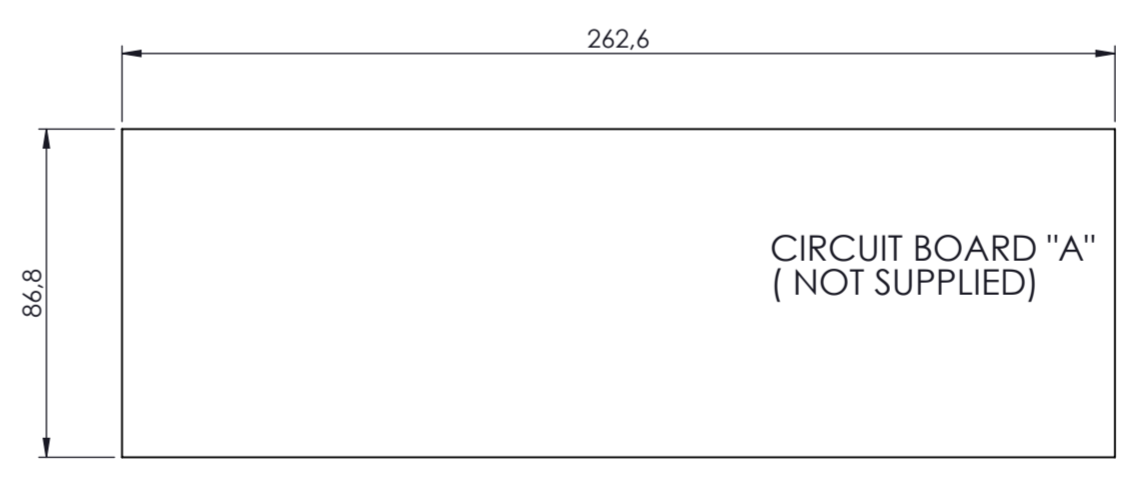
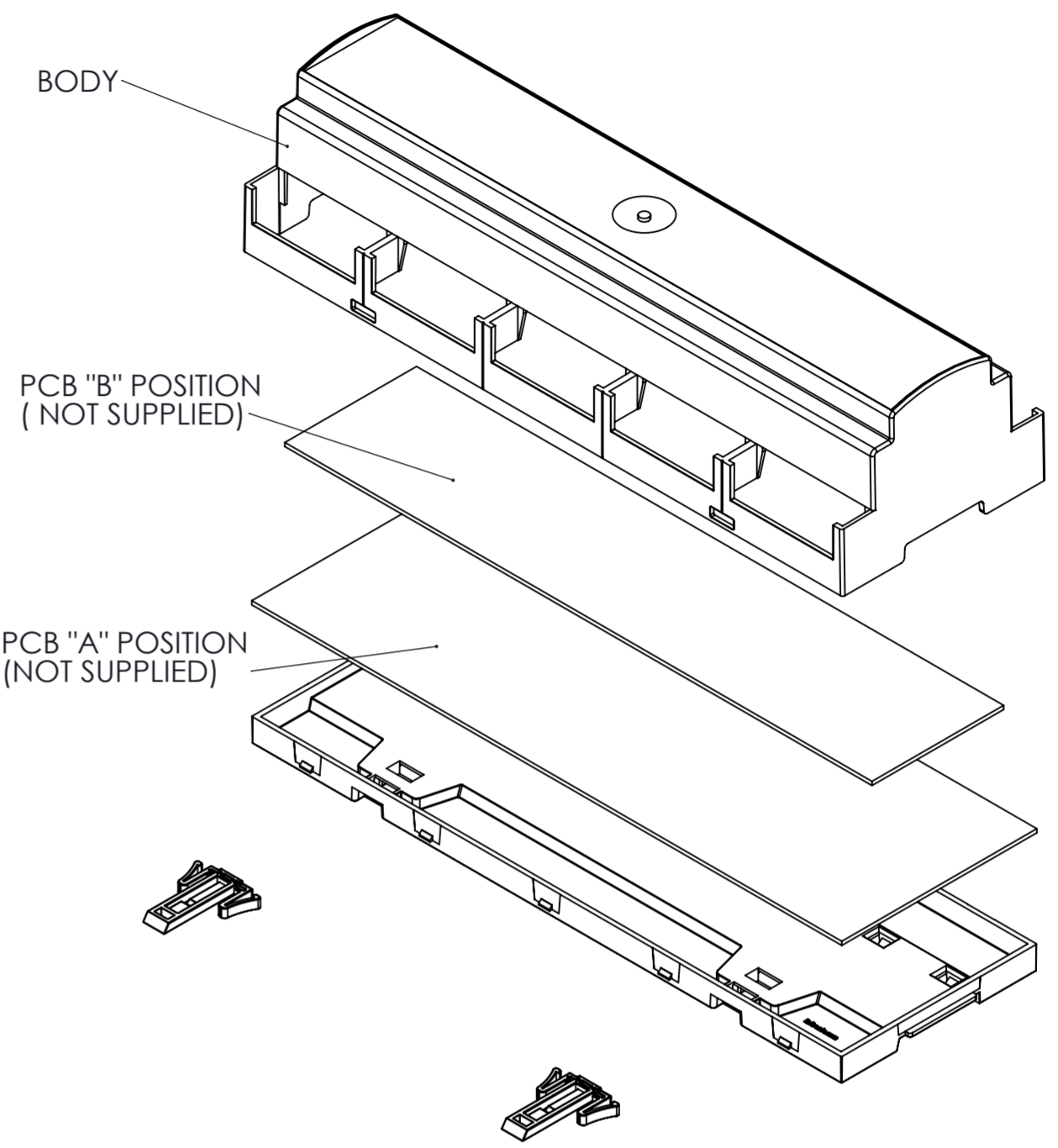


SECTION A-A
SCALE 1 : 1



PCB "A" POSITION
(NOT SUPPLIED)

PCB "B" POSITION
(NOT SUPPLIED)



SECTION B-B
SCALE 1 : 1

General Tolerance UNI EN 22768/1 Media (m)				
from 0.5 to 3	from 3 to 6	from 6 to 30	from 30 to 120	from 120 to 400
± 0.1	± 0.1	± 0.2	± 0.3	± 0.5
Scale:	Sheet nr.:	Drawn:	Checked:	Date:
1:2	1/1	R.N.	R.N.	07/09/2020
Dimension in mm	Material:	Weight:	Cod. Mold:	Rev. description
				--
		Description: KIT CONTENITORE MODULBOX XTS CHIUSO 15MHC53-A KIT ENCLOSURE MODULBOX XTS CLOSED 15MHC53-A		
Drawing nr. 3_250_00058		Rev. A2		

ITALTRONIC S.p.A. - Via Salaria, 115 - 00198 Roma (RM) - Italy
 Tel. +39 06 4980 4111 - Fax +39 06 4980 4112
 Email: info@italtronic.com - www.italtronic.com
 All rights reserved. No part of this document may be reproduced or transmitted in any form or by any means electronic or mechanical, including photocopying and recording, or by any information storage or retrieval system, without the prior written permission of ITALTRONIC S.p.A.

X-ON Electronics

Largest Supplier of Electrical and Electronic Components

Click to view similar products for [Italtronic](#) manufacturer:

Other Similar products are found below :

[01.107L057](#) [01.109L057](#) [01.109L114](#) [01.112L057](#) [01.112L075](#) [01.509L057](#) [01.509L100](#) [03.4340000](#) [03.4350000](#) [05.0102530](#) [05.0202530](#)
[05.0202680](#) [05.0302350](#) [05.0302530](#) [05.0402530](#) [05.0402680](#) [05.0404530](#) [05.0502530](#) [05.0601530](#) [05.0601680](#) [05.0602530](#) [05.0602680](#)
[05.0901530](#) [05.0901680](#) [05.0902350](#) [05.0902530](#) [05.0902680](#) [06.2000000](#) [06.2050000](#) [06.2080000](#) [06.2110000](#) [06.2710000](#) [06.2730000](#)
[06.3150000](#) [07.6000000](#) [07.6010000](#) [07.6020000](#) [07.6030000](#) [07.6040000](#) [07.6070000](#) [07.6080000](#) [07.6100000](#) [07.6110000](#) [07.6120000](#)
[07.6130000](#) [07.6140000](#) [07.6320000](#) [07.6330000](#) [07.6340000](#) [07.6350000](#)