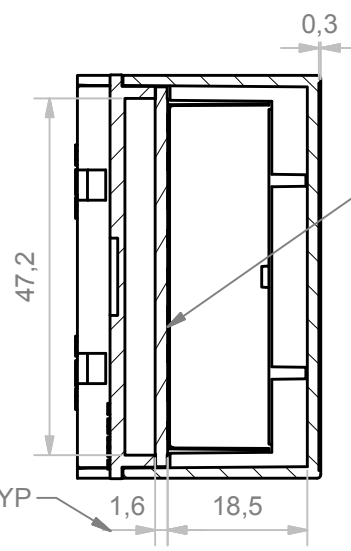
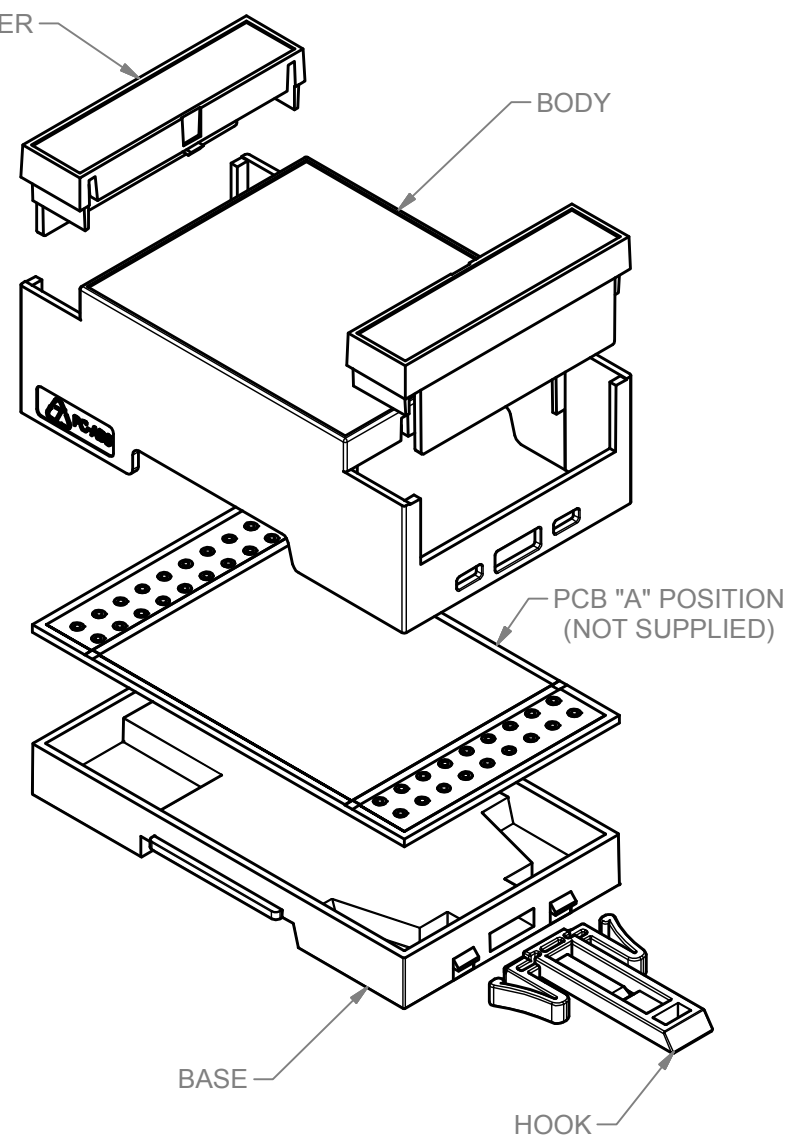


A-A (1:1)

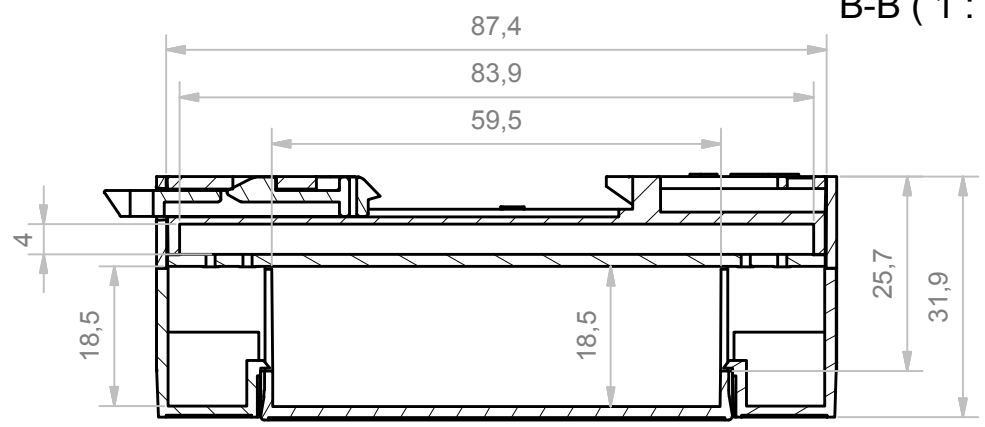


BOARD THICKNESS TYP

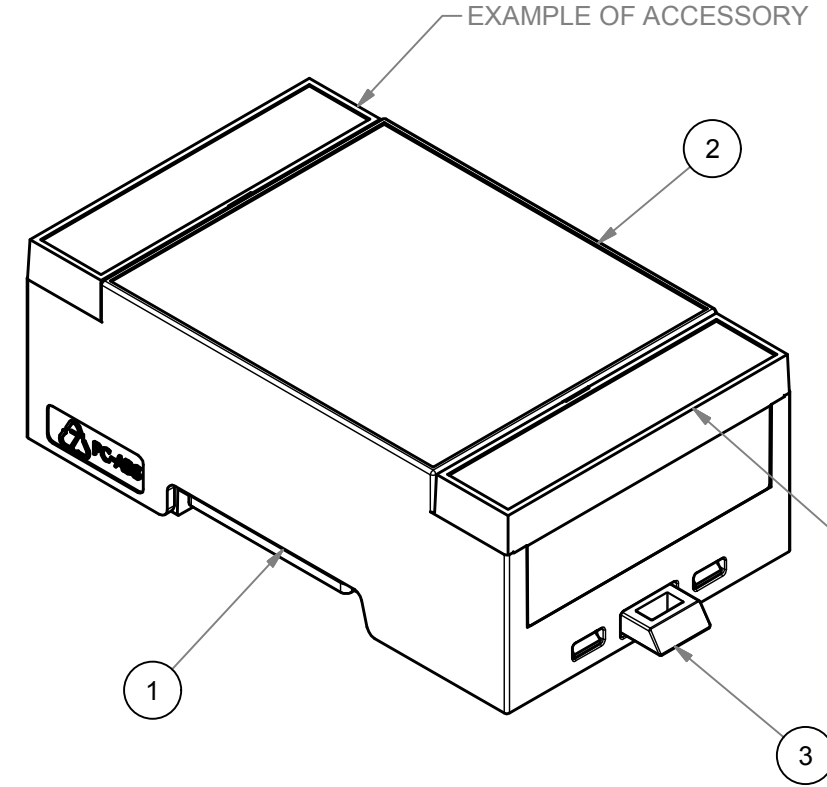
TERMINAL COVER



B-B (1:1)

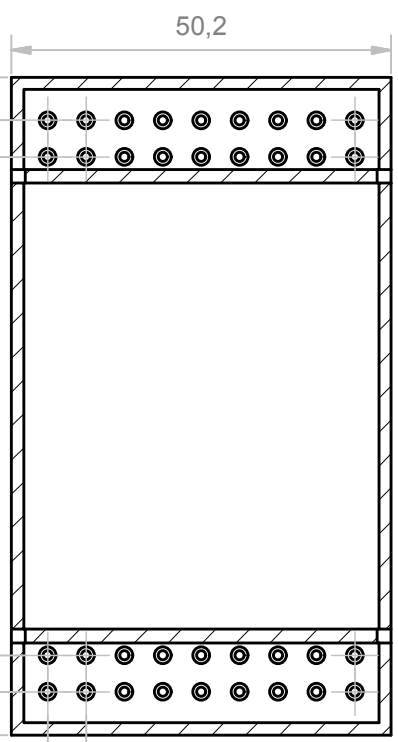


EXAMPLE OF ACCESSORY



NOT INCLUDED IN KIT

CIRCUIT BOARD "A"
(NOT SUPPLIED)



TOLERANCE GENERAL PCB ±0,1 mm

ZONE NO COMPONENTS

RIF.	Q.TY	DESCRIPTION	DRAWING
1	1	BASE MODULBOX XT/XTS - 3M	1.001.01982
2	1	BODY MODULBOX XTS 3MHC33-A CLOSED COMPACT	2.250.00003
3	1	MODULAR HOOK LONG	1.001.01900

Vedere nel sito tutti gli accessori compatibili con il kit.
See in the web site all the accessories compatible with the kit.

General Tolerance UNI EN 22768/1 Media (m)				
da 0.5 a 3	da 3 a 6	da 6 a 30	da 30 a 120	da 120 a 400
± 0.1	± 0.1	± 0.2	± 0.3	± 0.5
Scale: 1 : 1	Sheet nr.: 1 / 1	Drawn: A. I.	Checked: F.F.	Date: 06/03/2018
Material:				Weight:
Volume:				Revision description: 5 4 3 2 1
Dimension in mm		Drawing nr. 3.250.00006		
italtronic www.italtronic.com techcare@italtronic.com		Description: CONTENITORE MODULBOX XTS 3MHC33-A CHIUSO COMPACT ENCLOSURE MODULBOX XTS 3MHC33-A CLOSED COMPACT Rev. 01		

Aggiornato cartiglio con nuovo codice (codice superato M-05170-01). Separata vista corpo con vista assieme. 06/03/18 I.A.
 RESERVED PROPERTY: The present drawing cannot be reproduced or communicated to 3rd parties, even partially, without the authorization of ITALTRONIC Srl. Italtronic reserves to protect its own rights according to the law.

X-ON Electronics

Largest Supplier of Electrical and Electronic Components

Click to view similar products for [Italtronic](#) manufacturer:

Other Similar products are found below :

[25.0101000.BL](#) [07.6350020](#) [6MDH53/7.5](#) [33.0614000.UNO](#) [61.6061000](#) [P05030204T](#) [P05030201T](#) [01.112L075](#) [12.0000010](#) [P05040201P](#)
[61.6100002](#) [P05120821F](#) [16.209L075](#) [10.0000175](#) [9M/821P](#) [25.1201000.BL](#) [07.6411915](#) [4MH53/7.5](#) [P05090201F.BL](#) [9MDH53/5](#)
[08.1190000](#) [6MDH53/5](#) [P05020215T.BL](#) [P05020204T.BL](#) [P05020208T.BL](#) [16.4333000](#) [33.0414000.UNO](#) [25.0906000.BL](#) [16.211L124](#)
[6M/821P](#) [25.0410000.UNO](#) [25.1210000.BL](#) [05.0901680](#) [06.3150000](#) [25.0406000.BL](#) [P05020721F](#) [P05020207T.BL](#) [5M/821P](#)
[25.0610000.BGB](#) [61.6041000](#) [P05040207T.BL](#) [P05080821F](#) [10.0012225.RPI](#) [11.4340000](#) [07.6320000](#) [07.6330000](#) [10.0051350](#)
[P05020202T.BL](#) [07.6650000](#) [07.6670100](#)