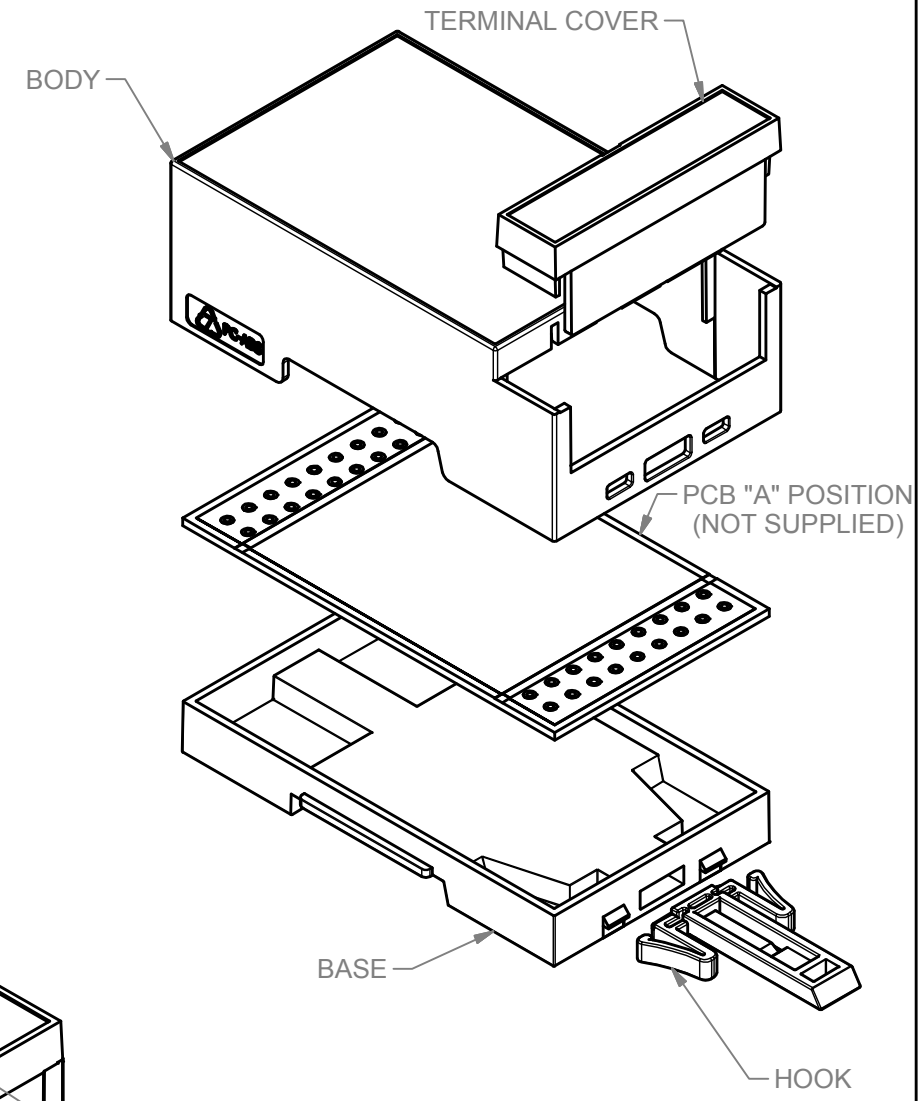
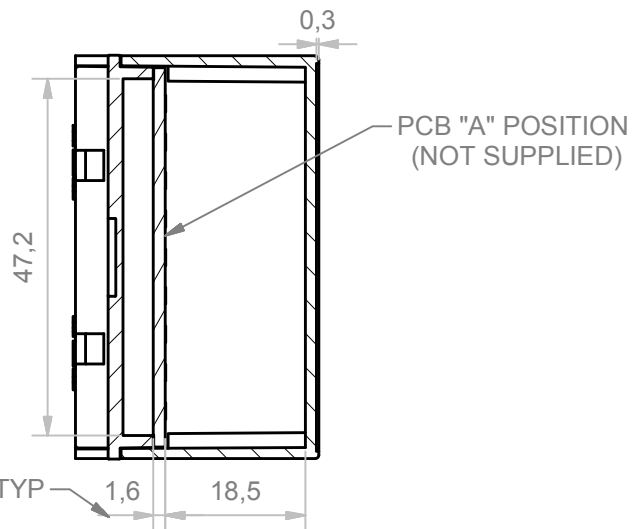
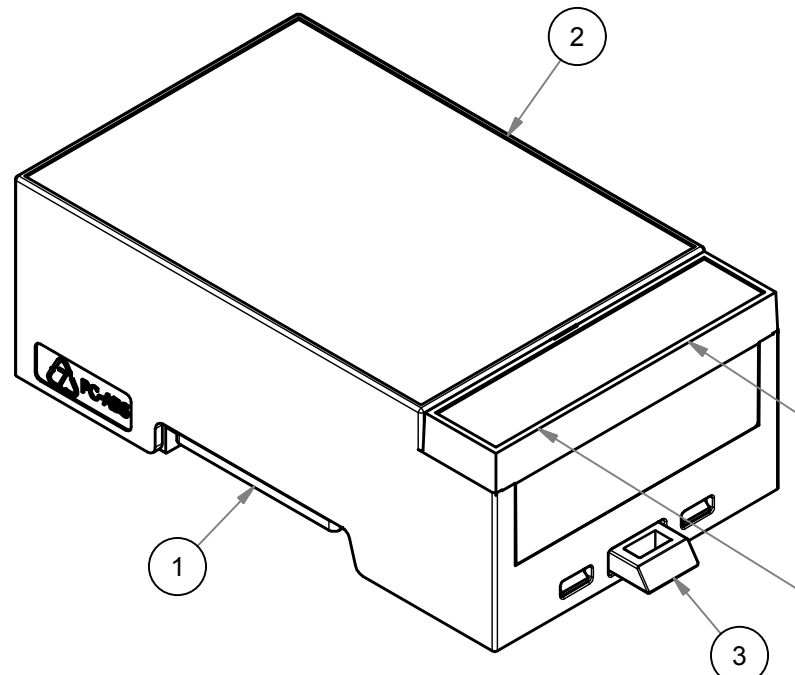
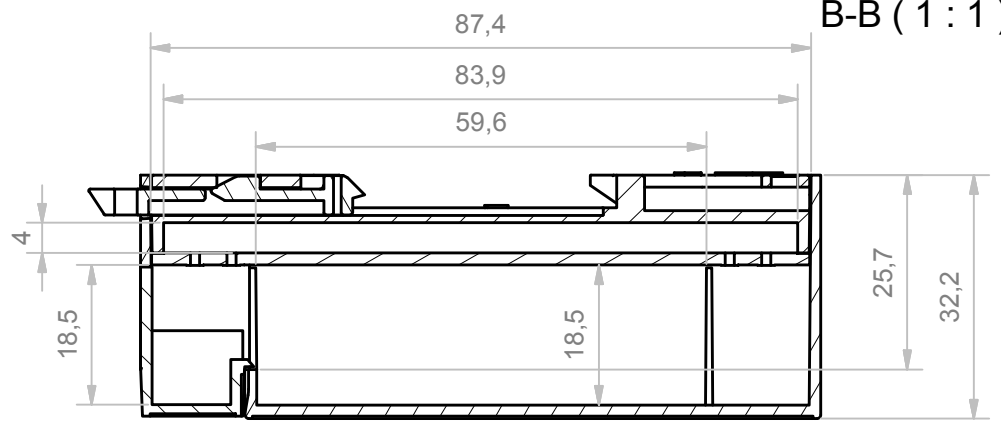


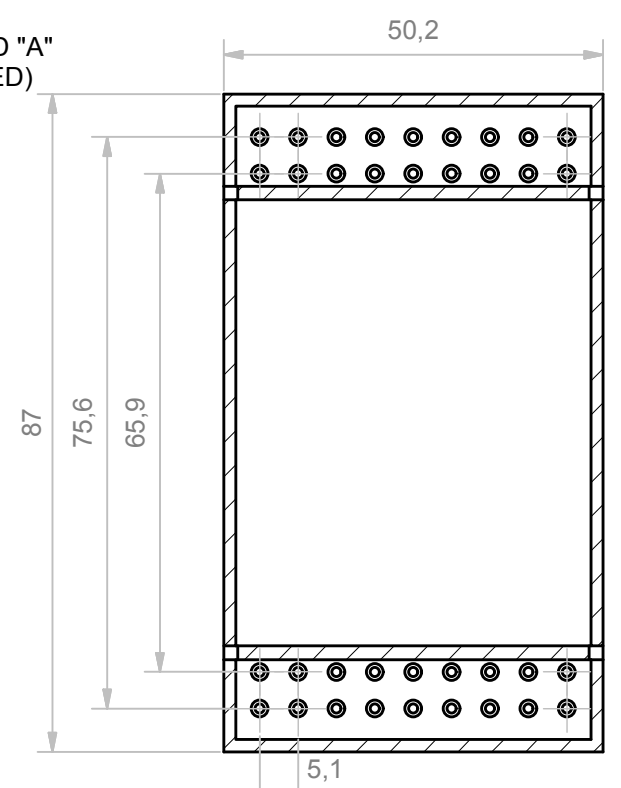
A-A (1:1)



B-B (1:1)



CIRCUIT BOARD "A"
(NOT SUPPLIED)



ZONE NO COMPONENTS

TOLERANCE GENERAL PCB ±0,1 mm

RIF.	Q.TY	DESCRIPTION	DRAWING
1	1	BASE MODULBOX XT/XTS - 3M	1.001.01982
2	1	BODY MODULBOX XTS 3MHC33-B CLOSED COMPACT	2.250.00004
3	1	MODULAR HOOK LONG	1.001.01900

Vedere nel sito tutti gli accessori compatibili con il kit.
See in the web site all the accessories compatible with the kit.

General Tolerance UNI EN 22768/1 Media (m)						
da 0.5 a 3	da 3 a 6	da 6 a 30	da 30 a 120	da 120 a 400		
± 0.1	± 0.1	± 0.2	± 0.3	± 0.5	5	4
Scale: 1 : 1	Sheet nr.: 1 / 1	Drawn: A. I.	Checked: F. F.	Date: 06/03/2018	3	2
Material:				Weight:	Volume:	
Description: CONTENITORE MODULBOX XTS 3MHC33-B CHIUSO COMPACT ENCLOSURE MODULBOX XTS 3MHC33-B CLOSED COMPACT				Revision description		
Drawing nr. 3.250.00007				Rev. 01		

italtronic
www.italtronic.com
techcare@italtronic.com

Aggiornato cartiglio con nuovo codice (codice superato M-05171-00). Separata vista corpo con vista assieme. 06/03/18 I.A.

RESERVED PROPERTY: The present drawing cannot be reproduced or communicated to 3rd parties, even partially, without the authorization of ITALTRONIC Srl. Italtronic reserves to protect its own rights according to the law.

X-ON Electronics

Largest Supplier of Electrical and Electronic Components

Click to view similar products for [Italtronic](#) manufacturer:

Other Similar products are found below :

[25.0101000.BL](#) [07.6350020](#) [6MDH53/7.5](#) [33.0614000.UNO](#) [61.6061000](#) [P05030204T](#) [P05030201T](#) [01.112L075](#) [12.0000010](#) [P05040201P](#)
[61.6100002](#) [P05120821F](#) [16.209L075](#) [10.0000175](#) [9M/821P](#) [25.1201000.BL](#) [07.6411915](#) [4MH53/7.5](#) [P05090201F.BL](#) [9MDH53/5](#)
[08.1190000](#) [6MDH53/5](#) [P05020215T.BL](#) [P05020204T.BL](#) [P05020208T.BL](#) [16.4333000](#) [33.0414000.UNO](#) [25.0906000.BL](#) [16.211L124](#)
[6M/821P](#) [25.0410000.UNO](#) [25.1210000.BL](#) [05.0901680](#) [06.3150000](#) [25.0406000.BL](#) [P05020721F](#) [P05020207T.BL](#) [5M/821P](#)
[25.0610000.BGB](#) [61.6041000](#) [P05040207T.BL](#) [P05080821F](#) [10.0012225.RPI](#) [11.4340000](#) [07.6320000](#) [07.6330000](#) [10.0051350](#)
[P05020202T.BL](#) [07.6650000](#) [07.6670100](#)