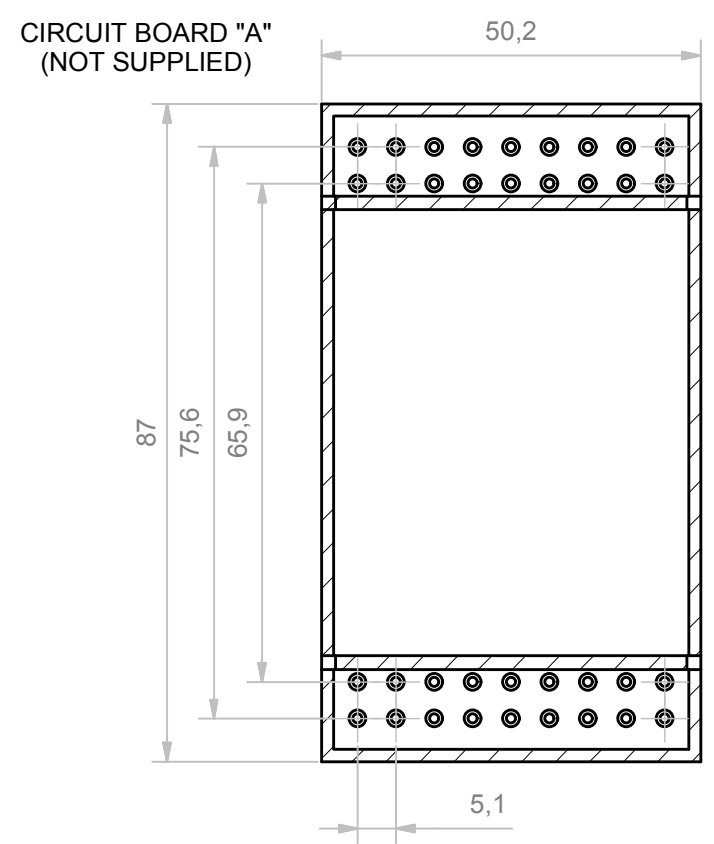
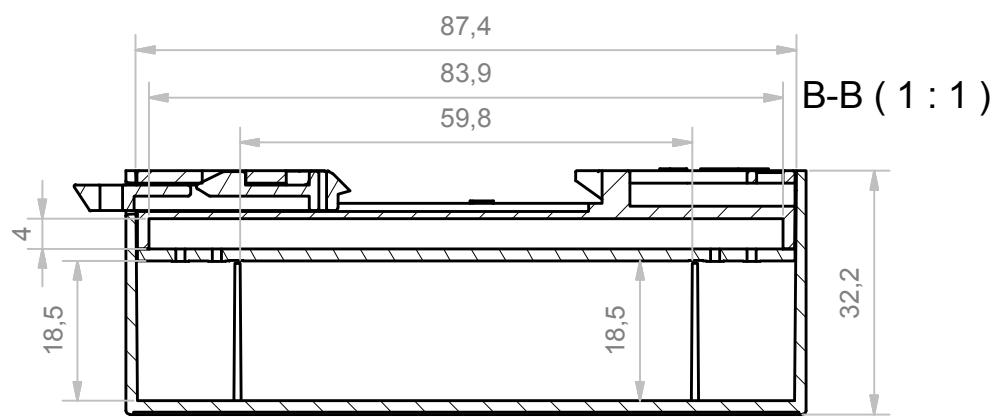
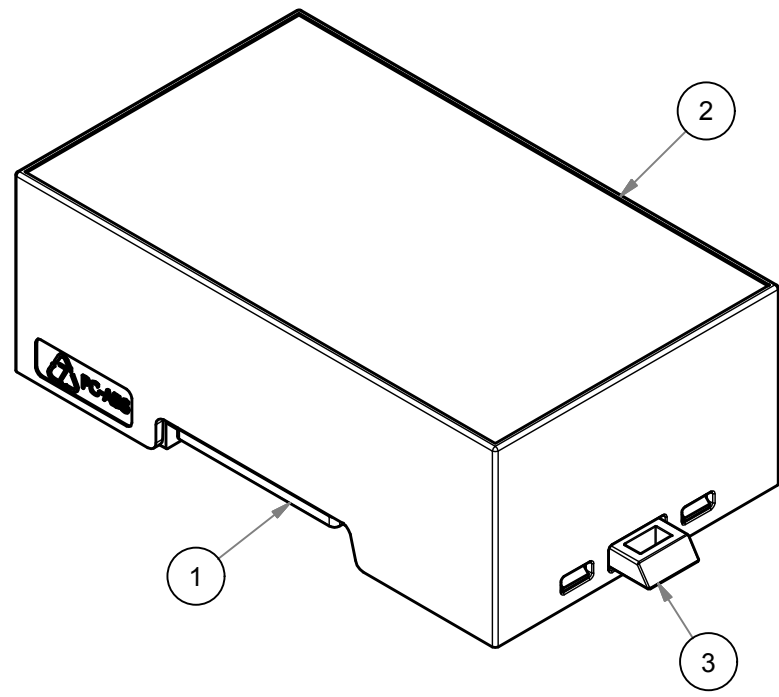
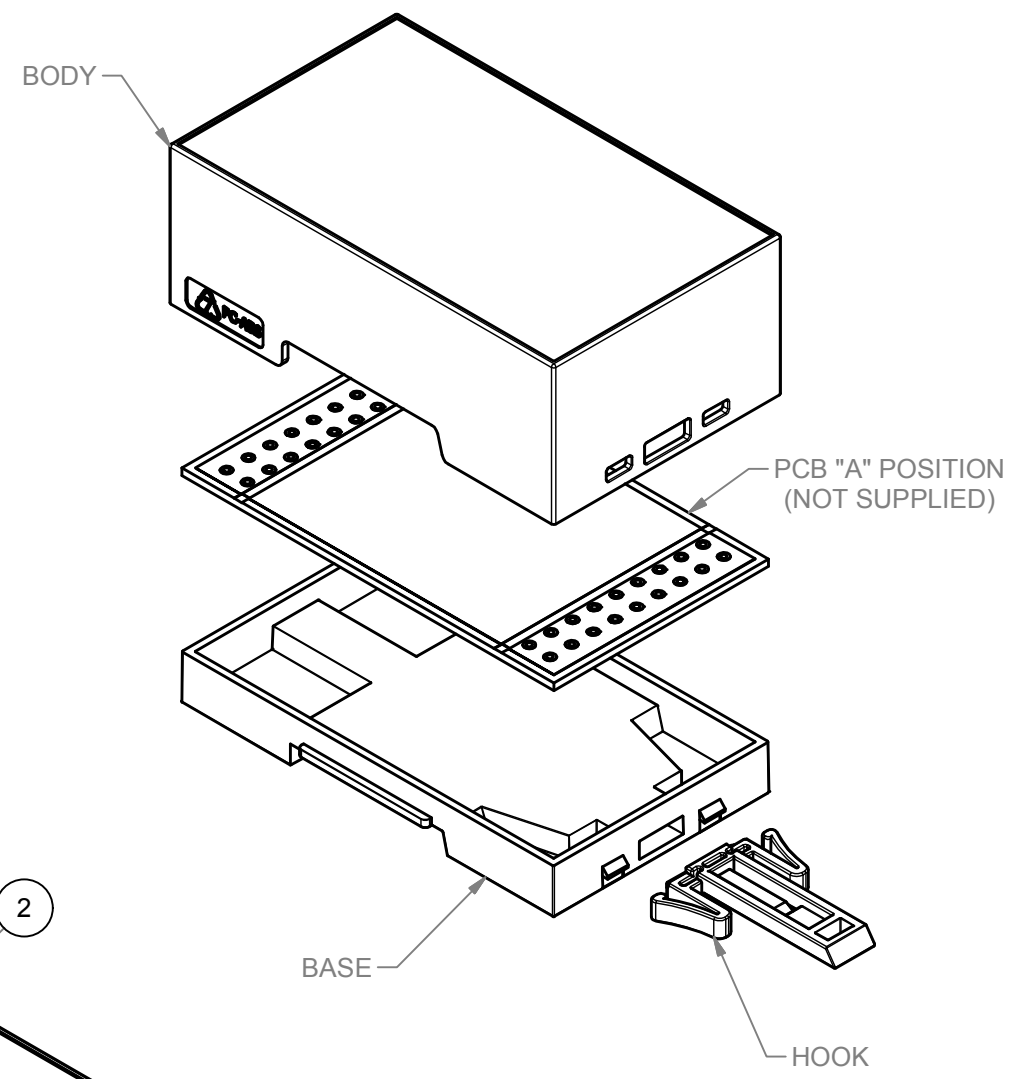
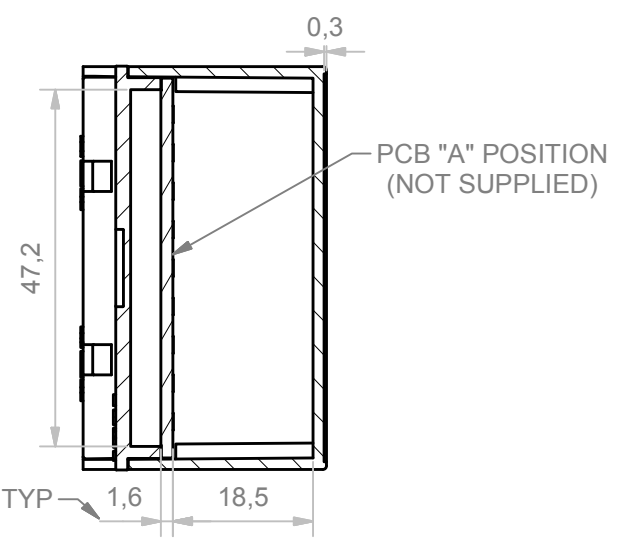


A-A (1:1)



ZONE NO COMPONENTS

TOLERANCE GENERAL PCB ±0,1 mm

Vedere nel sito tutti gli accessori compatibili con il kit.
See in the web site all the accessories compatible with the kit.

General Tolerance UNI EN 22768/1 Media (m)				
da 0.5 a 3	da 3 a 6	da 6 a 30	da 30 a 120	da 120 a 400
± 0.1	± 0.1	± 0.2	± 0.3	± 0.5
Scale: 1:1	Sheet nr.: 1/1	Drawn: A. I.	Checked: F.F.	Date: 06/03/2018
Material:				Weight:
Volume:				
Description:		Revision description		
ENCLOSURE MODULBOX XTS 3MC33-C CHIUSO COMPACT		5 4 3 2 1		
ENCLOSURE MODULBOX XTS 3MC33-C CLOSED COMPACT		Revision description		
Drawing nr.		3.250.00008		Rev. 01

RIF.	Q.TY	DESCRIPTION	DRAWING
1	1	BASE MODULBOX XT/XTS - 3M	1.001.01982
2	1	BODY MODULBOX XTS 3MC33-C CLOSED COMPACT	2.250.00005
3	1	MODULAR HOOK LONG	1.001.01900



Aggiornato cartiglio con nuovo codice (codice superato M-05172-00). Separata vista corpo con vista assieme. 06/03/18 I.A.
RESERVED PROPERTY: The present drawing cannot be reproduced or communicated to 3rd parties, even partially, without the authorization of ITALTRONIC Srl. Italtronic reserves to protect its own rights according to the law.

X-ON Electronics

Largest Supplier of Electrical and Electronic Components

Click to view similar products for [Italtronic](#) manufacturer:

Other Similar products are found below :

[01.107L057](#) [01.109L057](#) [01.109L114](#) [01.112L057](#) [01.112L075](#) [01.509L057](#) [01.509L100](#) [03.4340000](#) [03.4350000](#) [05.0102530](#) [05.0202530](#)
[05.0202680](#) [05.0302350](#) [05.0302530](#) [05.0402530](#) [05.0402680](#) [05.0404530](#) [05.0502530](#) [05.0601530](#) [05.0601680](#) [05.0602530](#) [05.0602680](#)
[05.0901530](#) [05.0901680](#) [05.0902350](#) [05.0902530](#) [05.0902680](#) [06.2000000](#) [06.2050000](#) [06.2080000](#) [06.2110000](#) [06.2710000](#) [06.2730000](#)
[06.3150000](#) [07.6000000](#) [07.6010000](#) [07.6020000](#) [07.6030000](#) [07.6040000](#) [07.6070000](#) [07.6080000](#) [07.6100000](#) [07.6110000](#) [07.6120000](#)
[07.6130000](#) [07.6140000](#) [07.6320000](#) [07.6330000](#) [07.6340000](#) [07.6350000](#)