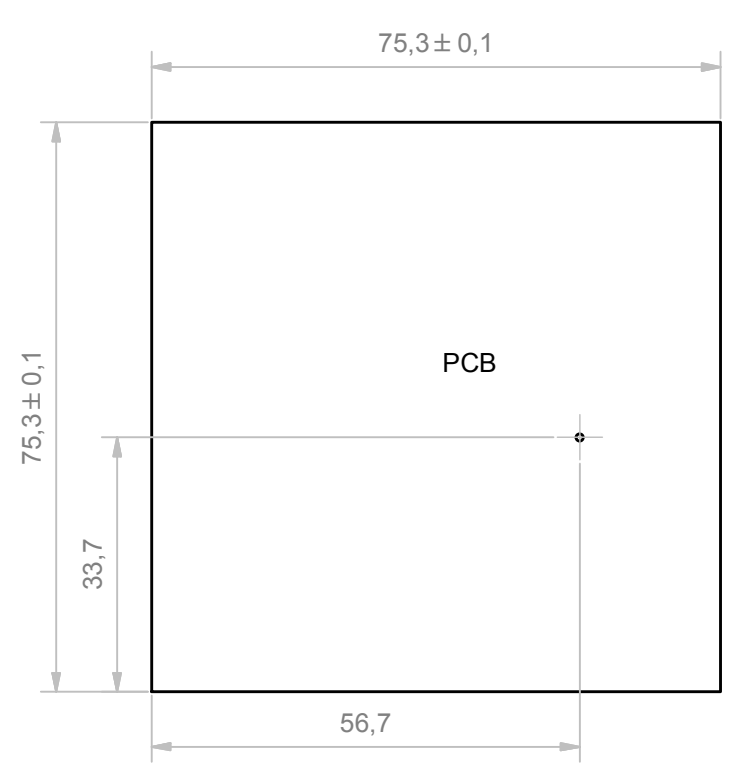
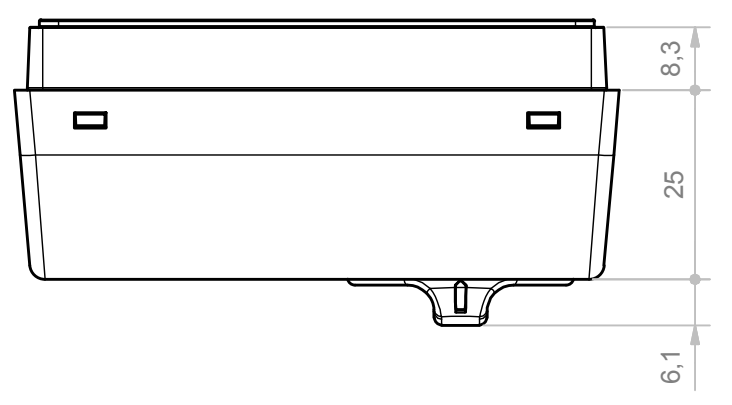
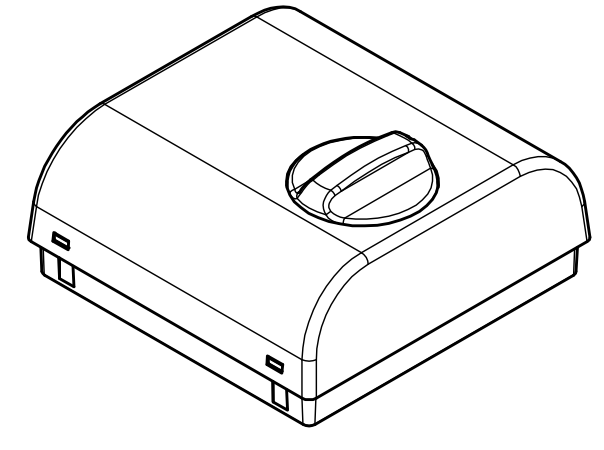
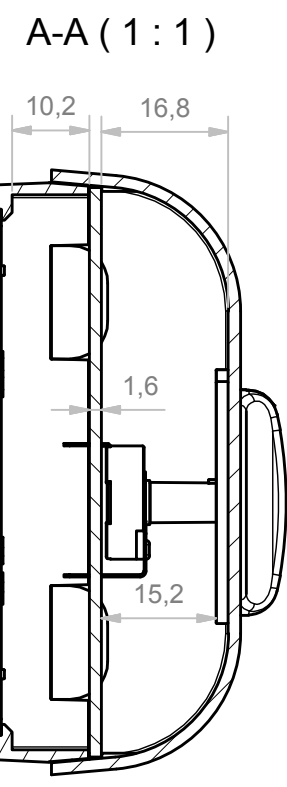
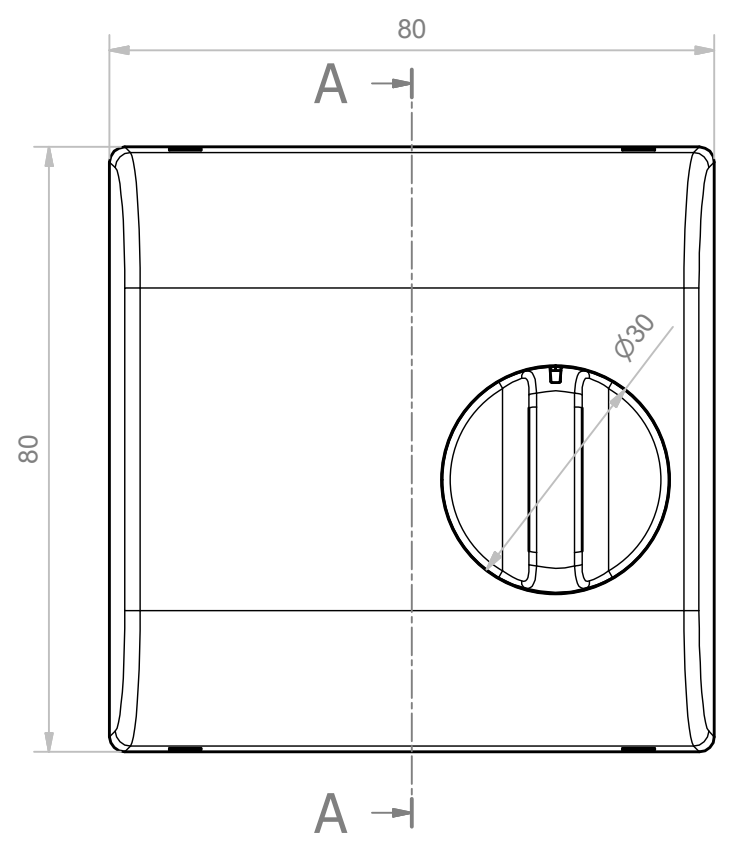


6 | 5 | 4 | 3 | 2 | 1



RIF.	Q.TY	DESCRIPTION	CODE
1	1	COVER THERMO 80 CLOSED WITH HOLE FOR KONB D30	T-02535
2	1	KNOB D30 MM	V-01382
3	1	BASE THERMO 80 CSF 14	T-02685
4	1	PIN THERMO	V-01384

RESERVED PROPERTY: The present drawing cannot be reproduced or communicated to 3d parties, even partially, without the authorization of ITALTRONIC Srl. Italtronic reserves without its own rights according to the law.

GENERAL TOLERANCE	UNI EN 22768/1 Media (m)	Drawn:	Checked:	Revision description
SHEET NR.	1 / 1	Dimension in mm	Rigato N.	Scale: 1 : 1
		DRAWING BY	Date:	Replace nr.
		Manual modification are not allowed	02/03/2017	Part number:
		Denomination: COMPLETE ENCLOSURE THERMO 80 CLOSED CSF WITH KNOB D30		
		Drawing nr. T-06813-00		

D
C
B
A

D
C
B
A

6 | 5 | 4 | 3 | 2 | 1

X-ON Electronics

Largest Supplier of Electrical and Electronic Components

Click to view similar products for [Italtronic](#) manufacturer:

Other Similar products are found below :

[01.107L057](#) [01.109L057](#) [01.109L114](#) [01.112L057](#) [01.112L075](#) [01.509L057](#) [01.509L100](#) [03.4340000](#) [03.4350000](#) [05.0102530](#) [05.0202530](#)
[05.0202680](#) [05.0302350](#) [05.0302530](#) [05.0402530](#) [05.0402680](#) [05.0404530](#) [05.0502530](#) [05.0601530](#) [05.0601680](#) [05.0602530](#) [05.0602680](#)
[05.0901530](#) [05.0901680](#) [05.0902350](#) [05.0902530](#) [05.0902680](#) [06.2000000](#) [06.2050000](#) [06.2080000](#) [06.2110000](#) [06.2710000](#) [06.2730000](#)
[06.3150000](#) [07.6000000](#) [07.6010000](#) [07.6020000](#) [07.6030000](#) [07.6040000](#) [07.6070000](#) [07.6080000](#) [07.6100000](#) [07.6110000](#) [07.6120000](#)
[07.6130000](#) [07.6140000](#) [07.6320000](#) [07.6330000](#) [07.6340000](#) [07.6350000](#)