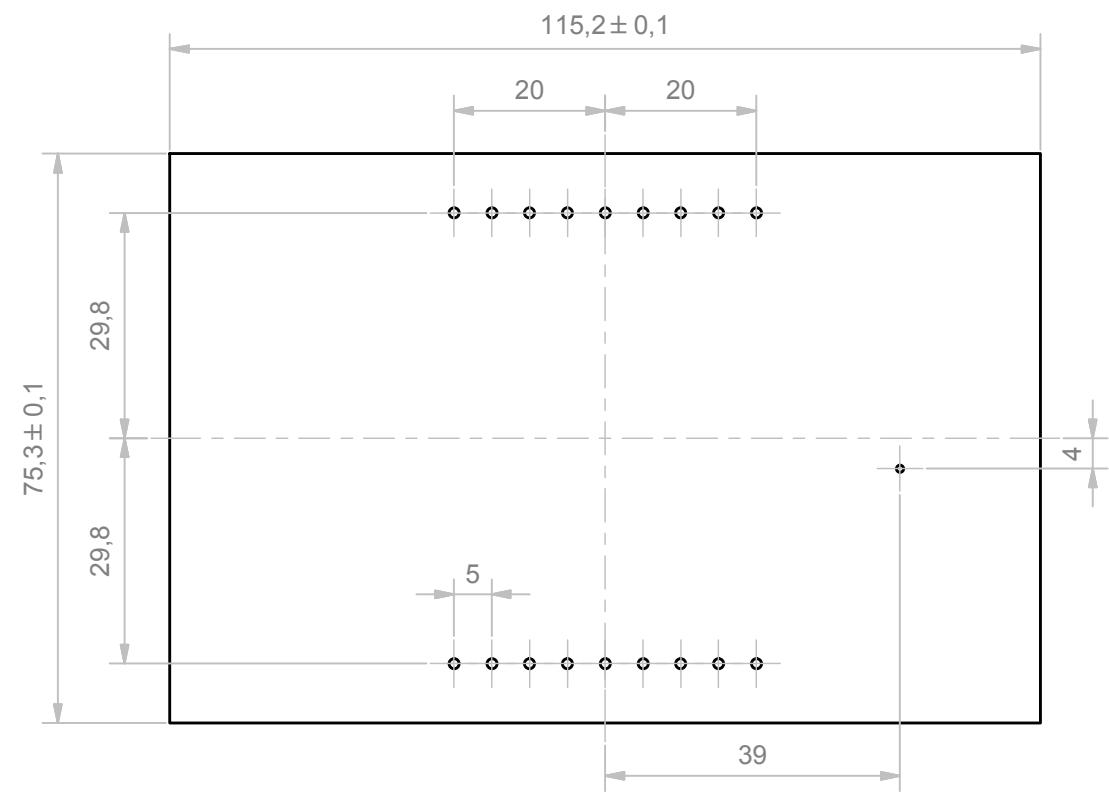
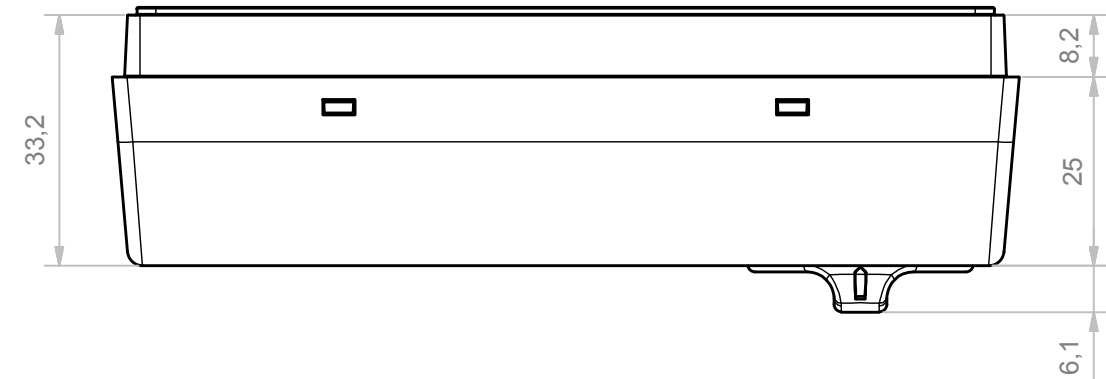
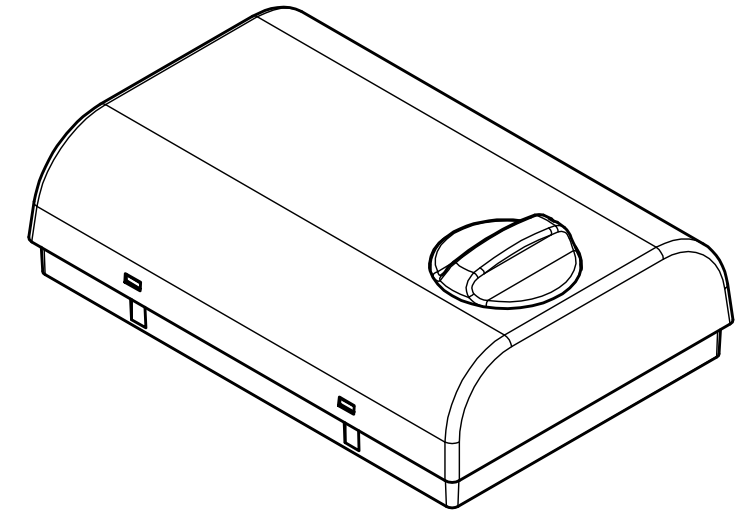
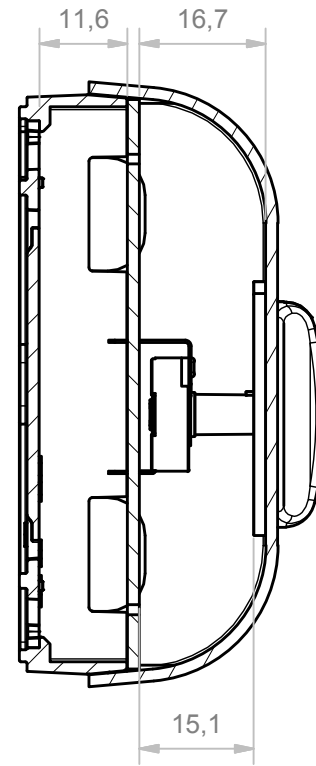


A-A (1:1)



RIF.	Q.TY	DESCRIPTION	CODE
1	1	BASE THERMO 120 CSF 18	T-02538
2	1	KNOB D30 MM	V-01382
3	1	PIN THERMO	V-01384
4	1	COVER THERMO 120 CLOSED WITH HOLES FOR KNOB D30	

RESERVED PROPERTY: The present drawing cannot be reproduced or communicated to 3d parties, even partially, without the authorization of ITALTRONIC Srl. Italtronic reserves to protect its own rights according to the law.

GENERAL TOLERANCE		UNI EN 22768/1 Media (m)		Drawn:		Checked:		Revision description	
SHEET NR.		Dimension in mm		DRAWING BY		Date:		Scale:	
1 / 1				 Manual modification are not allowed		Rigato N.		Fanin F.	
						07/03/2017		Part number:	

Denomination: COMPLETE ENCLOSURE THERMO 120 CSF CLOSED WITH KNOB D30

**ITALTRONIC S.R.L.**  
 VIA AUSTRIA 25/D 35127  
 PADOVA - ITALY  
[www.italtronic.com](http://www.italtronic.com)

Drawing nr. **T-06832-00**

5 4 3 2 1

## X-ON Electronics

Largest Supplier of Electrical and Electronic Components

*Click to view similar products for [Italtronic](#) manufacturer:*

Other Similar products are found below :

[01.107L057](#) [01.109L057](#) [01.109L114](#) [01.112L057](#) [01.112L075](#) [01.509L057](#) [01.509L100](#) [03.4340000](#) [03.4350000](#) [05.0102530](#) [05.0202530](#)  
[05.0202680](#) [05.0302350](#) [05.0302530](#) [05.0402530](#) [05.0402680](#) [05.0404530](#) [05.0502530](#) [05.0601530](#) [05.0601680](#) [05.0602530](#) [05.0602680](#)  
[05.0901530](#) [05.0901680](#) [05.0902350](#) [05.0902530](#) [05.0902680](#) [06.2000000](#) [06.2050000](#) [06.2080000](#) [06.2110000](#) [06.2710000](#) [06.2730000](#)  
[06.3150000](#) [07.6000000](#) [07.6010000](#) [07.6020000](#) [07.6030000](#) [07.6040000](#) [07.6070000](#) [07.6080000](#) [07.6100000](#) [07.6110000](#) [07.6120000](#)  
[07.6130000](#) [07.6140000](#) [07.6320000](#) [07.6330000](#) [07.6340000](#) [07.6350000](#)