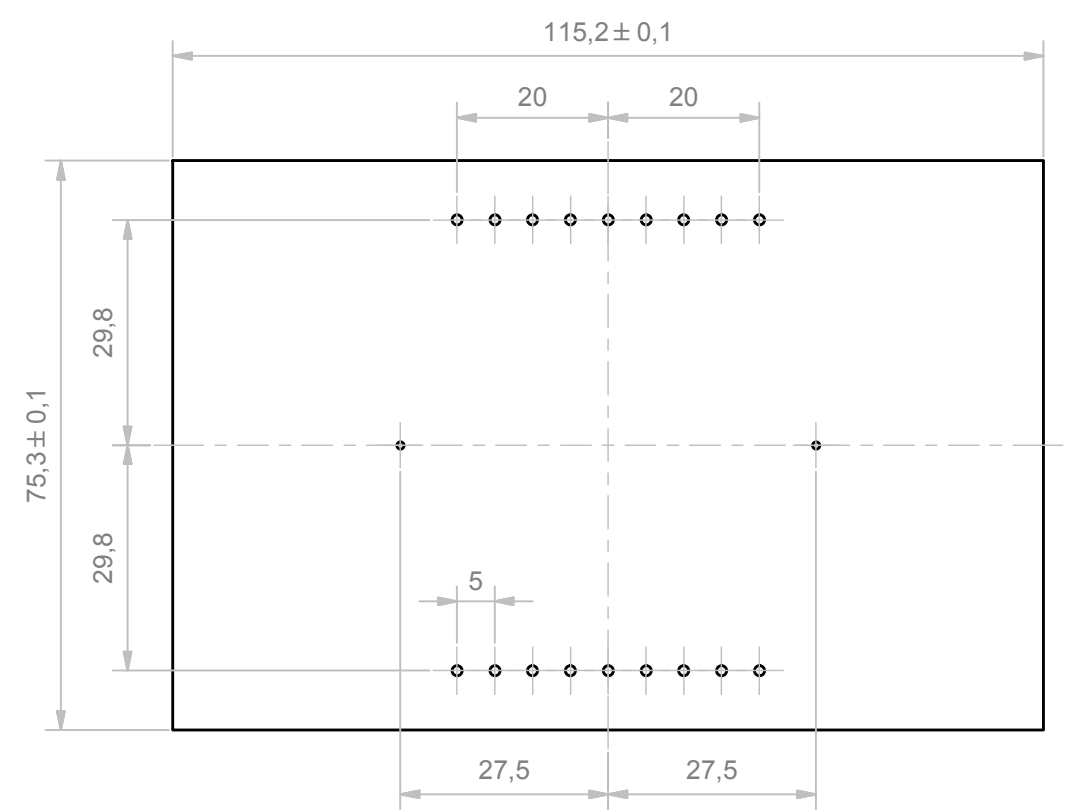
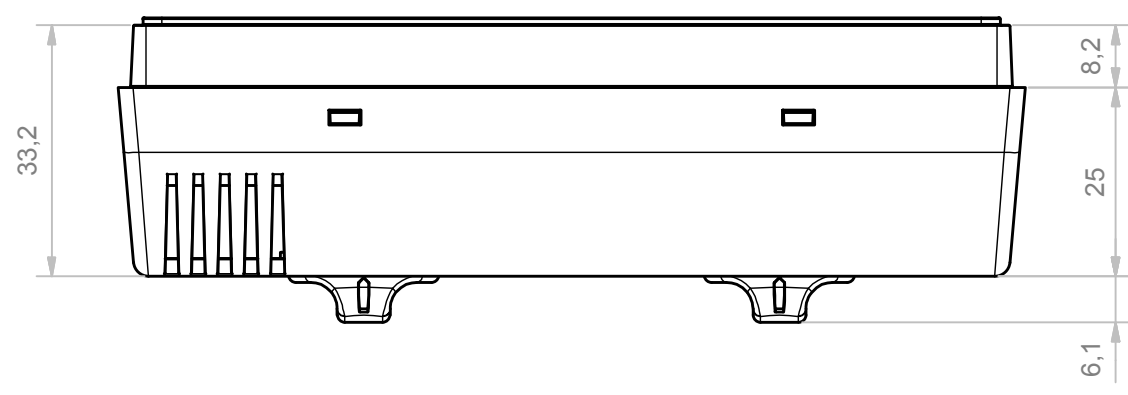
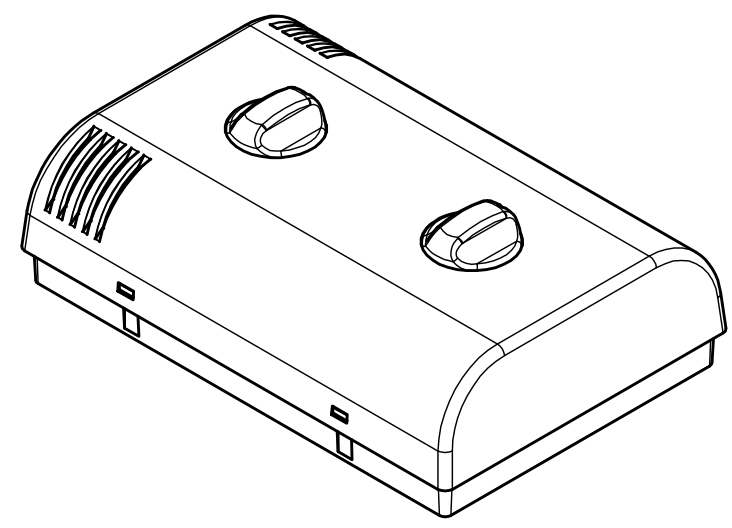
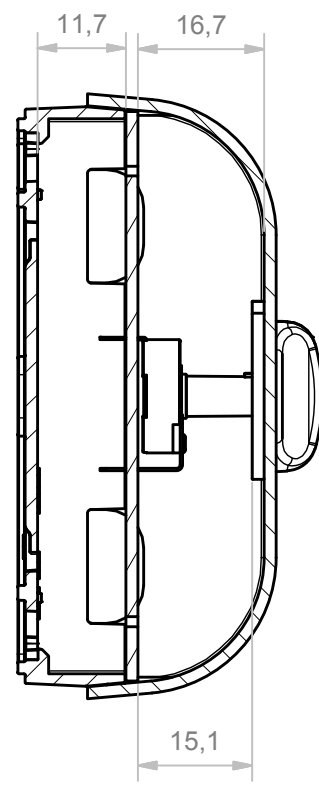
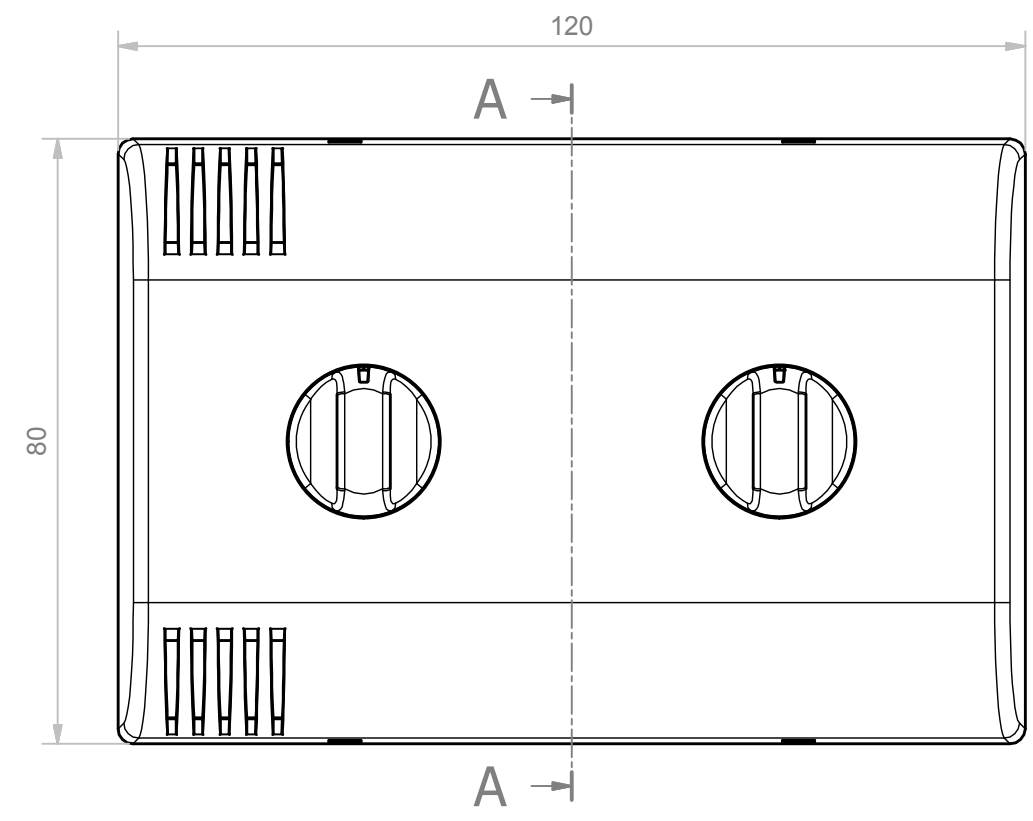


A-A (1:1)



RIF.	Q.TY	DESCRIPTION	CODE
1	1	BASE THERMO 120 CSF 18	T-02538
2	2	PIN THERMO	V-01384
3	2	KNOB D20 MM H-STD	V-01385
4	1	COVER THERMO 120 WITH 2 HOLES FOR KNOB D20	

RESERVED PROPERTY: The present drawing cannot be reproduced or communicated to 3d parties, even partially, without the authorization of ITALTRONIC Srl. Italtronic reserves to protect its own rights according to the law.				5	4	3	2	1
GENERAL TOLERANCE	UNI EN 22768/1 Media (m)	Drawn:	Checked:	Revision description				
SHEET NR.	Dimension in mm	DRAWING BY	Rigato N.	Fanin F.	Scale: 1 : 1			
1 / 1		 Manual modification are not allowed	Date: 07/03/2017	Replace nr.	Part number:			

 UN PARTNER PER IL FUTURO PLASTIC+ Group Italtronic	Denomination:	COMPLETE ENCLOSURE THERMO 120 CSF WITH 2 KNOBS D20
	 ITALTRONIC S.R.L. VIA AUSTRIA 25/D 35127 PADOVA - ITALY www.italtronic.com	Drawing nr. T-06835-00

X-ON Electronics

Largest Supplier of Electrical and Electronic Components

Click to view similar products for [Italtronic](#) manufacturer:

Other Similar products are found below :

[25.0101000.BL](#) [07.6350020](#) [6MDH53/7.5](#) [33.0614000.UNO](#) [61.6061000](#) [P05030204T](#) [P05030201T](#) [01.112L075](#) [12.0000010](#) [P05040201P](#)
[61.6100002](#) [P05120821F](#) [16.209L075](#) [10.0000175](#) [9M/821P](#) [25.1201000.BL](#) [07.6411915](#) [4MH53/7.5](#) [P05090201F.BL](#) [9MDH53/5](#)
[08.1190000](#) [6MDH53/5](#) [P05020215T.BL](#) [P05020204T.BL](#) [P05020208T.BL](#) [16.4333000](#) [33.0414000.UNO](#) [25.0906000.BL](#) [16.211L124](#)
[6M/821P](#) [25.0410000.UNO](#) [25.1210000.BL](#) [05.0901680](#) [06.3150000](#) [25.0406000.BL](#) [P05020721F](#) [P05020207T.BL](#) [5M/821P](#)
[25.0610000.BGB](#) [61.6041000](#) [P05040207T.BL](#) [P05080821F](#) [10.0012225.RPI](#) [11.4340000](#) [07.6320000](#) [07.6330000](#) [10.0051350](#)
[P05020202T.BL](#) [07.6650000](#) [07.6670100](#)