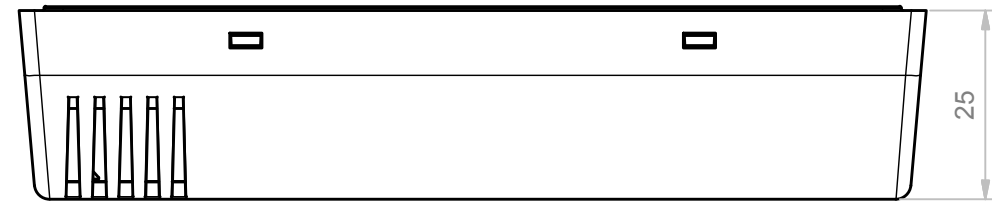
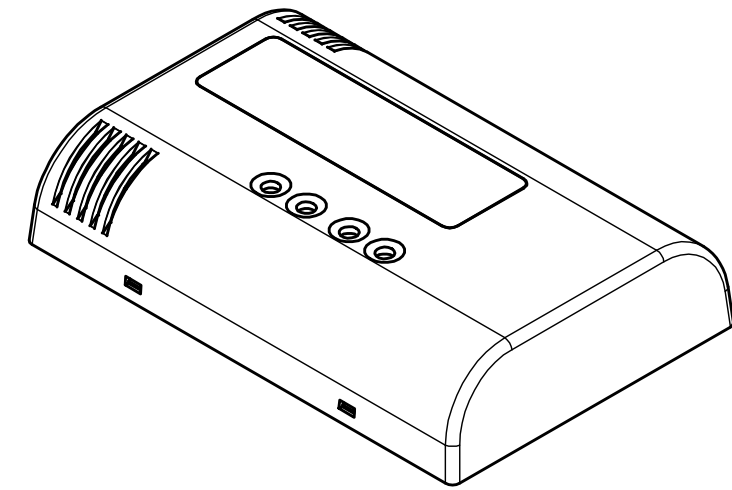
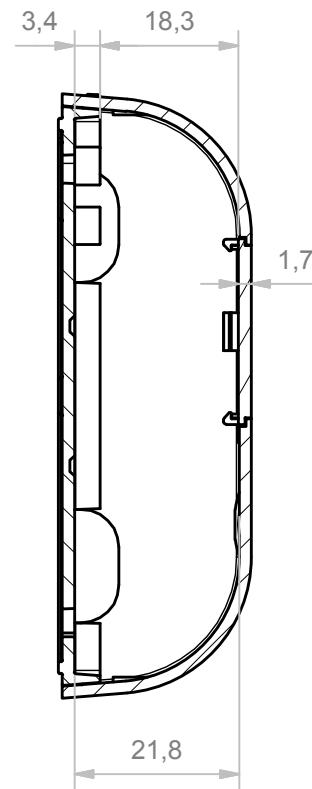


B-B (1:1)



RIF.	Q.TY	DESCRIPTION	CODE
1	1	COVER THERMO 120 WITH 4 HOLES AND DISPLAY	T-03196
2	1	BASE THERMO 120 WITH SPACERS	V-01381
3	1	PANEL THERMO 120 FOR ENCLOSURE WITH DISPLAY	T-01960

RESERVED PROPERTY: The present drawing cannot be reproduced or communicated to 3d parties, even partially, without the authorization of ITALTRONIC Srl. Italtronic reserves to protect its own rights according to the law.

GENERAL TOLERANCE	UNI EN 22768/1 Media (m)	Drawn:	Rigato N.	Checked:	Fanin F.	Revision description
SHEET NR.	1 / 1	DRAWING BY		Date:	07/03/2017	Scale: 1 : 1
		Manual modification are not allowed		Replace nr.		Part number:
		Denomination:				
		THERMO 120 CSF WITH PANEL DISPLAY AND BASE WITH SPACERS				
		 VIA AUSTRIA 25/D 35127 PADOVA - ITALY www.italtronic.com		Drawing nr.		
				T-07267-00		

X-ON Electronics

Largest Supplier of Electrical and Electronic Components

Click to view similar products for [Italtronic](#) manufacturer:

Other Similar products are found below :

[01.107L057](#) [01.109L057](#) [01.109L114](#) [01.112L057](#) [01.112L075](#) [01.509L057](#) [01.509L100](#) [03.4340000](#) [03.4350000](#) [05.0102530](#) [05.0202530](#)
[05.0202680](#) [05.0302350](#) [05.0302530](#) [05.0402530](#) [05.0402680](#) [05.0404530](#) [05.0502530](#) [05.0601530](#) [05.0601680](#) [05.0602530](#) [05.0602680](#)
[05.0901530](#) [05.0901680](#) [05.0902350](#) [05.0902530](#) [05.0902680](#) [06.2000000](#) [06.2050000](#) [06.2080000](#) [06.2110000](#) [06.2710000](#) [06.2730000](#)
[06.3150000](#) [07.6000000](#) [07.6010000](#) [07.6020000](#) [07.6030000](#) [07.6040000](#) [07.6070000](#) [07.6080000](#) [07.6100000](#) [07.6110000](#) [07.6120000](#)
[07.6130000](#) [07.6140000](#) [07.6320000](#) [07.6330000](#) [07.6340000](#) [07.6350000](#)