

A-A (1:1)

Use a Clamping Force of 0,2 Nm

PCB-E-C

PCB-E-B

PCB fixing with non-removable mechanical hook

PCB-E-A

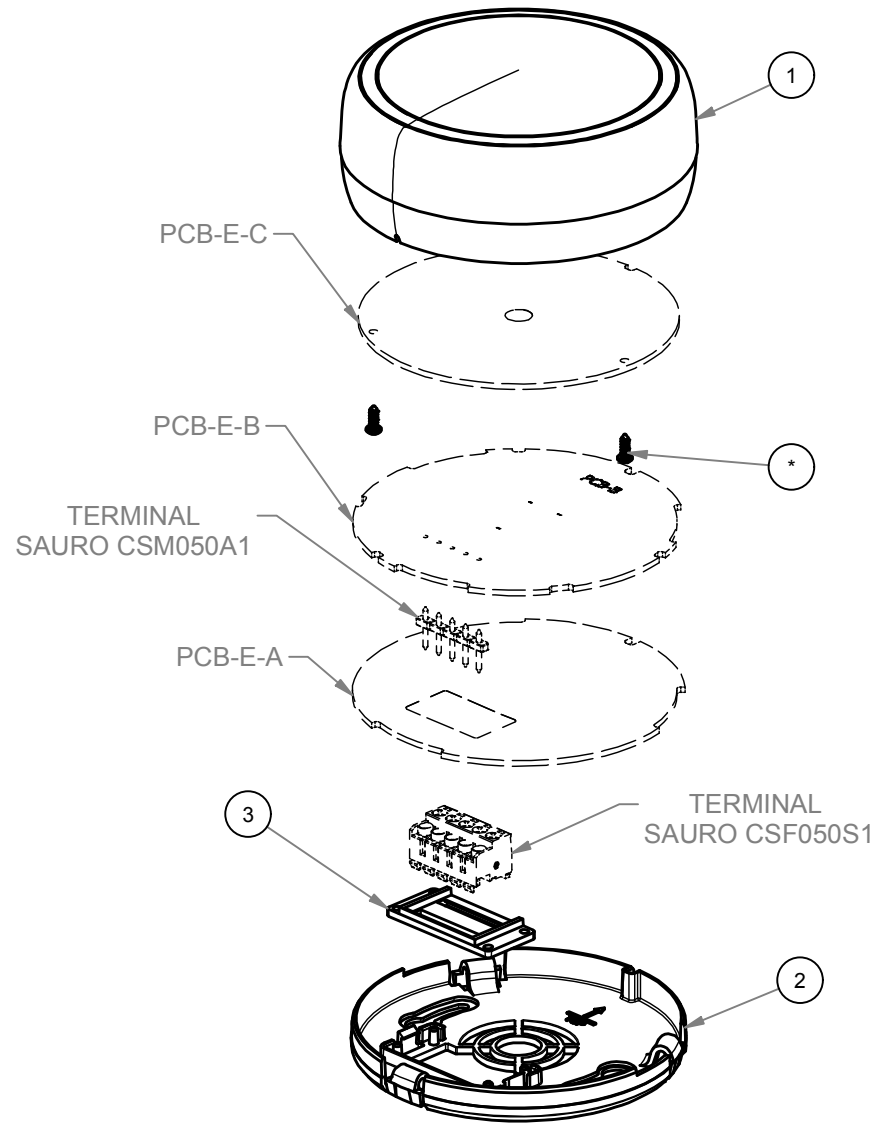
1,6

8

14,3

24,5

32,6



RIF.	Q.TY	DESCRIPTION	DRAWING
1	1	EYEBOX SIMPLE - COVER CLOSED	2_240_00024
2	1	EYE BASE FOR WALL FIXING TYPE CSF	2_240_00029
3	1	EYE FIXING ELEMENT CSF ON WALL BASE	2_240_00030

General Tolerance UNI EN 22768/1 Media (m)				
from 0.5 to 3	from 3 to 6	from 6 to 30	from 30 to 120	from 120 to 400
± 0.1	± 0.1	± 0.2	± 0.3	± 0.5
Scale: 1:1	Sheet nr.: 1/1	Drawn: N.R.	Checked: N.R.	Date: 15/06/2018
Material:	Weight:	Cod. Mold:		
Dimension in mm		Description: EYEBOX SIMPLE KIT CON BASE PER CSF EYEBOX SIMPLE KIT WITH BASE TYPE CSF FOR WALL FIXING		
italtronic enclosures for electronics italtronic.com				Drawing nr. 3_240_00023 Rev. 00

RESERVED PROPERTY: The present drawing cannot be reproduced or communicated to 3rd parties, even partially, without the authorization of ITALTRONIC Srl. Italtronic reserves to protect its own rights according to the law.

X-ON Electronics

Largest Supplier of Electrical and Electronic Components

Click to view similar products for [Italtronic](#) manufacturer:

Other Similar products are found below :

[01.107L057](#) [01.109L057](#) [01.109L114](#) [01.112L057](#) [01.112L075](#) [01.509L057](#) [01.509L100](#) [03.4340000](#) [03.4350000](#) [05.0102530](#) [05.0202530](#)
[05.0202680](#) [05.0302350](#) [05.0302530](#) [05.0402530](#) [05.0402680](#) [05.0404530](#) [05.0502530](#) [05.0601530](#) [05.0601680](#) [05.0602530](#) [05.0602680](#)
[05.0901530](#) [05.0901680](#) [05.0902350](#) [05.0902530](#) [05.0902680](#) [06.2000000](#) [06.2050000](#) [06.2080000](#) [06.2110000](#) [06.2710000](#) [06.2730000](#)
[06.3150000](#) [07.6000000](#) [07.6010000](#) [07.6020000](#) [07.6030000](#) [07.6040000](#) [07.6070000](#) [07.6080000](#) [07.6100000](#) [07.6110000](#) [07.6120000](#)
[07.6130000](#) [07.6140000](#) [07.6320000](#) [07.6330000](#) [07.6340000](#) [07.6350000](#)