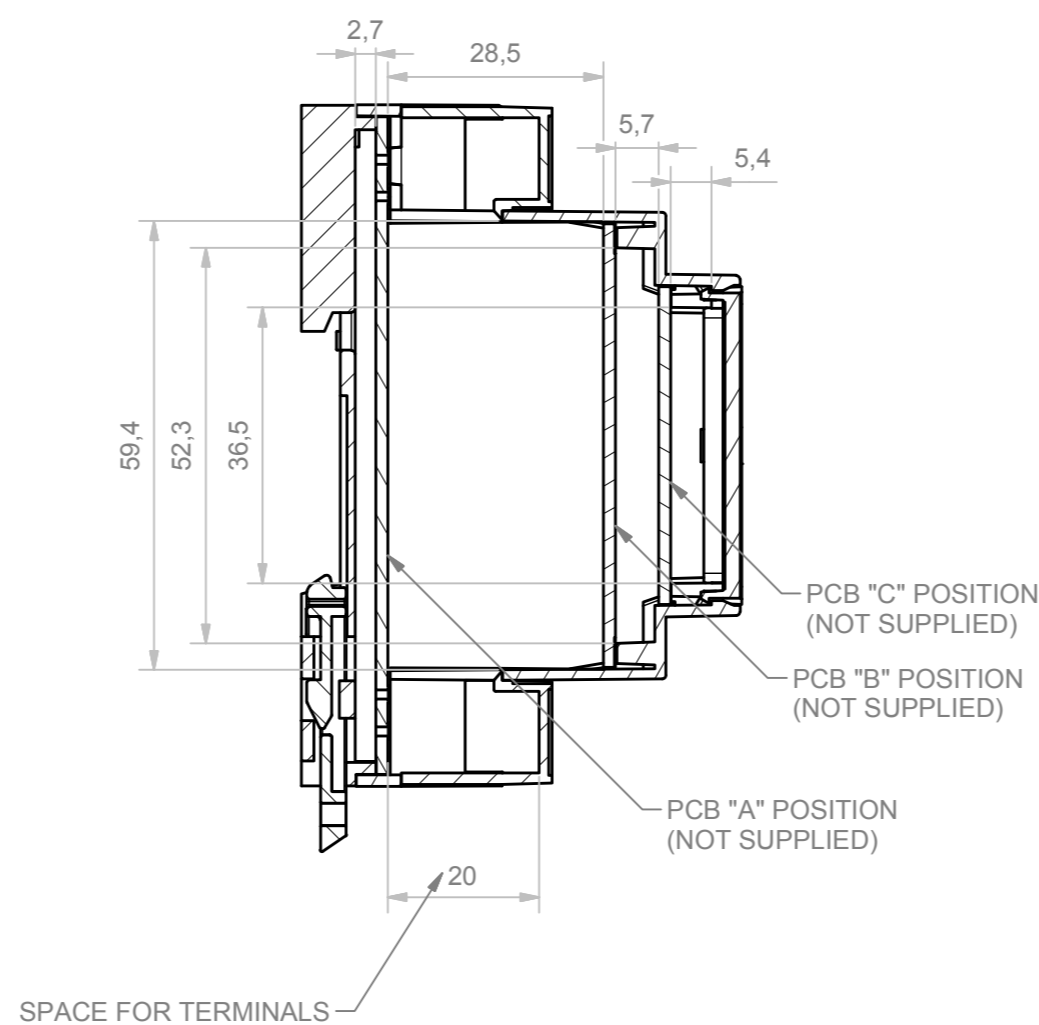
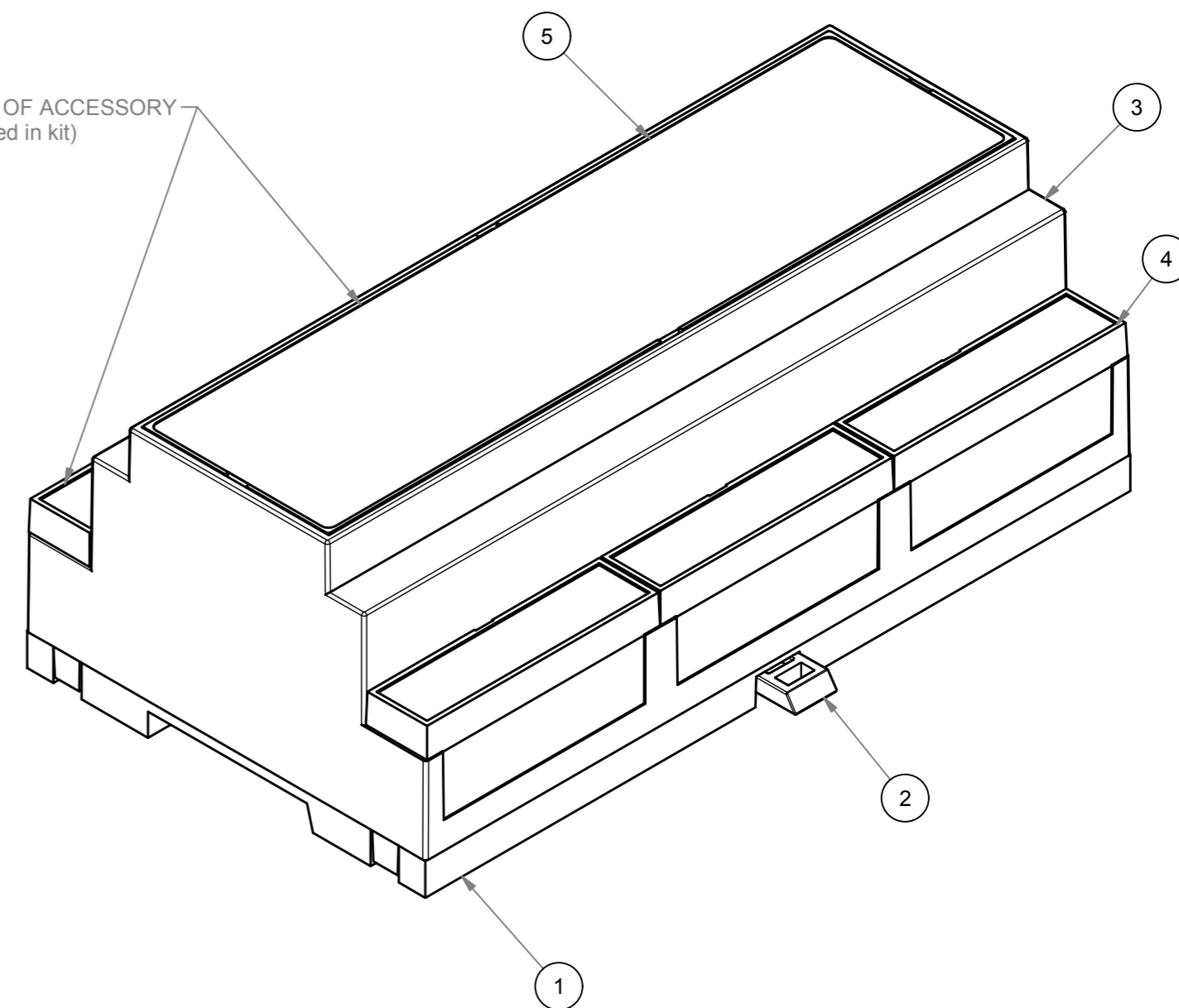


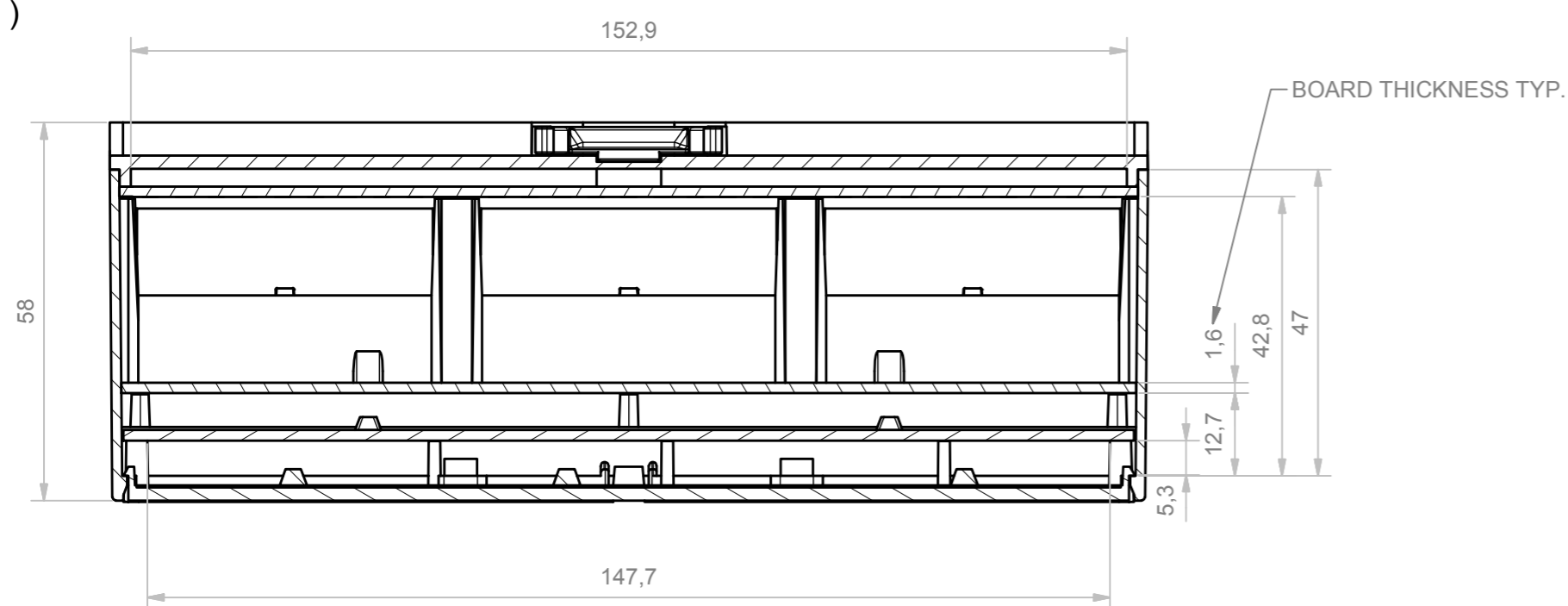
A-A (1:1)



EXAMPLE OF ACCESSORY  
(not included in kit)



B-B (1:1)



RIF.	MATERIAL	COLOR STD	KIT
1	PPO UL94V-0	GRAY	INCLUDED
2	PPO UL94V-0	GRAY	INCLUDED
3	PPO UL94V-0	BLACK	INCLUDED
4	PPO UL94V-0	GRAY	NOT INCLUDED
5	PPO UL94V-0	GRAY	NOT INCLUDED

COMPONENTS LIST				
RIF.	Q.TY	DESCRIPTION	CODE	
1	1	BASE 9M	M-00236	
2	1	AGGANCIO MODULBOX - HOOK MODULBOX	M-01624	
3	1	CORPO CONTENITORE 9MDH53 - BODY ENCLOSURE 9MDH53	M-01873	
4	6	COPRIMORSETTO 3MPN - TERMINAL COVER 3MPN	M-00255	
5	1	PANNELLO 9M CON CORNICE - PANEL 9M WITH FRAME	M-00342	
Da 0,5 a 3		Oltre 3 fino a 6	Oltre 6 fino a 30	Oltre 30 fino a 120
± 0,1		± 0,1	± 0,2	± 0,3
± 0,1		± 0,1	± 0,2	± 0,5

RESERVED PROPERTY The present drawing cannot be reproduced or communicated to 3d parties, even partially, without the authorization of ITALTRONIC Srl. Italtronic reserves to protect its own rights according to the law.	Dimension in mm	SHEET NR.	DRAWING BY	GENERAL TOLERANCE
		1 / 2		UNI EN 22768/1 Media (m)
Date:	13/06/2013	Replace nr.		
Drawn:	Rigato N.	Checked:	Dalla Montà D.	Scale: 1:1

5	4	3	2	1
Revision description				

Vedere nel catalogo tutti gli accessori compatibili con il kit.  
See in the catalog all the accessories compatible with the kit.



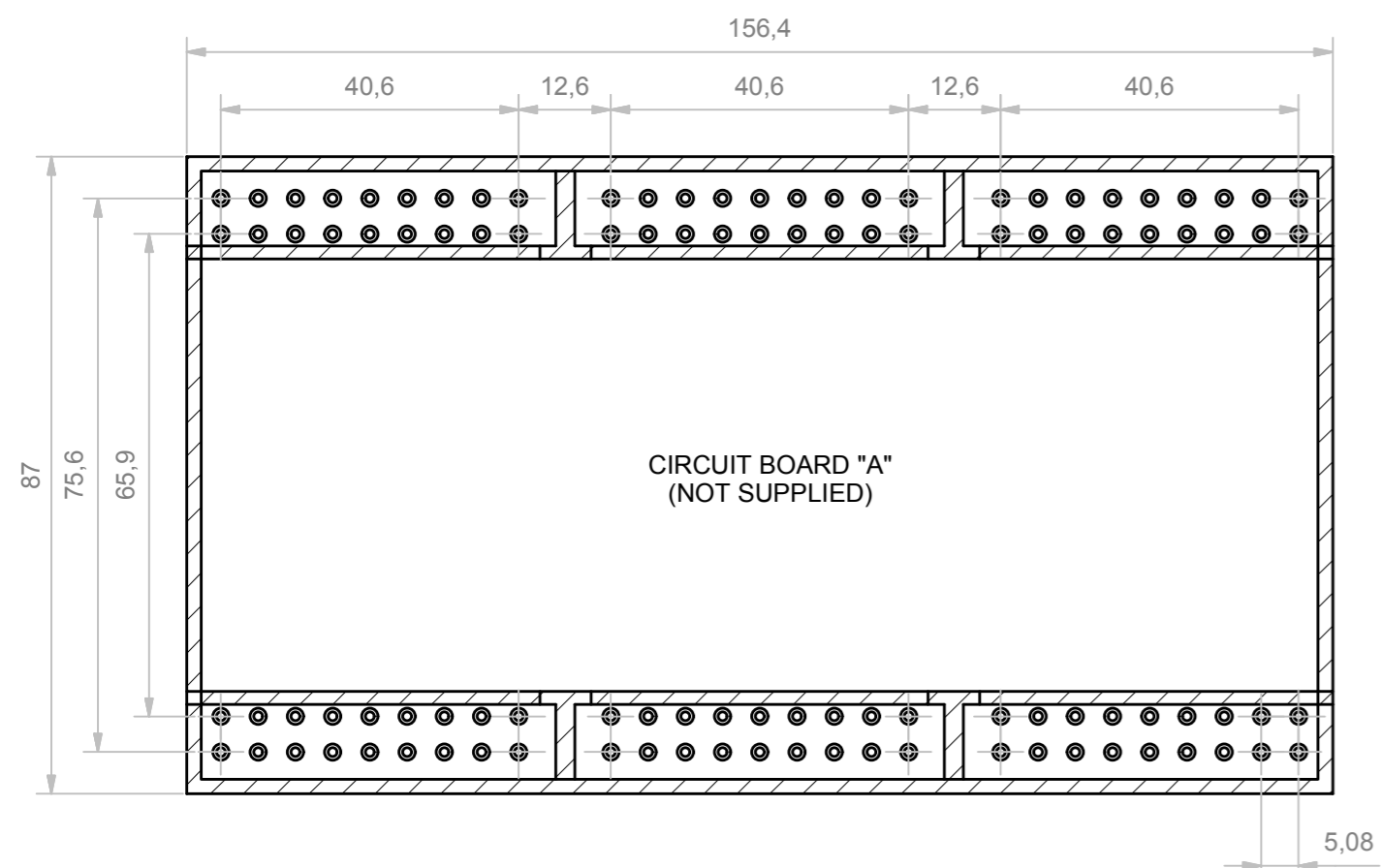
Denomination:  
Contenitore completo modulbox 9MDH53  
Complete enclosure modulbox 9MDH53

Drawing nr.  
**M-04830-01**

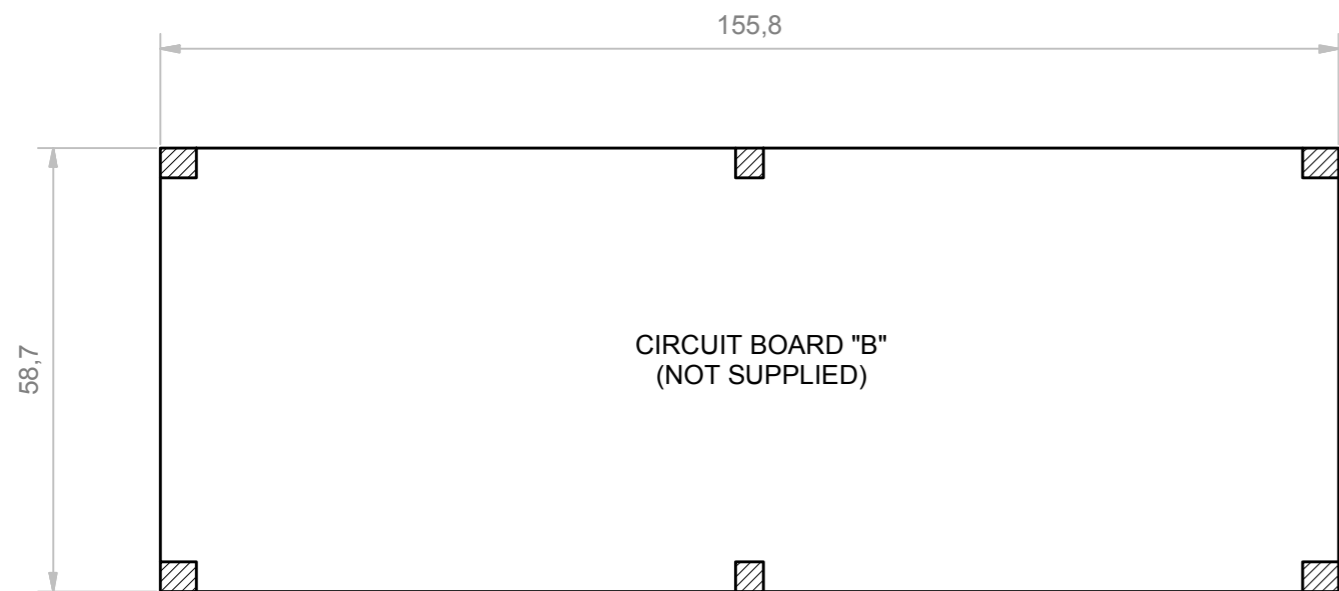
ITALTRONIC S.R.L.  
VIA AUSTRIA 25/D 35127  
PADOVA - ITALY  
www.italtronic.com

Aggiornato viste e aggiunto dimensioni circuiti stampati. 20/11/2014 Rigato N.

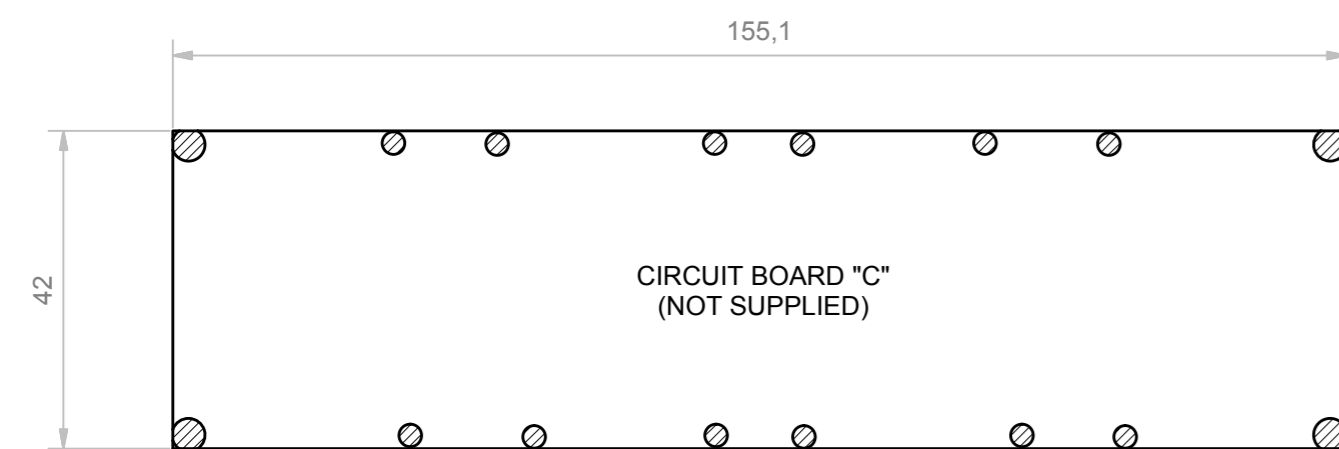
TOLERANCE GENERAL PCB  $\pm 0.1$  mm  
PCB THICKNESS 1.6 mm



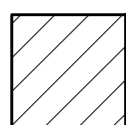
CIRCUIT BOARD "A"  
(NOT SUPPLIED)



CIRCUIT BOARD "B"  
(NOT SUPPLIED)



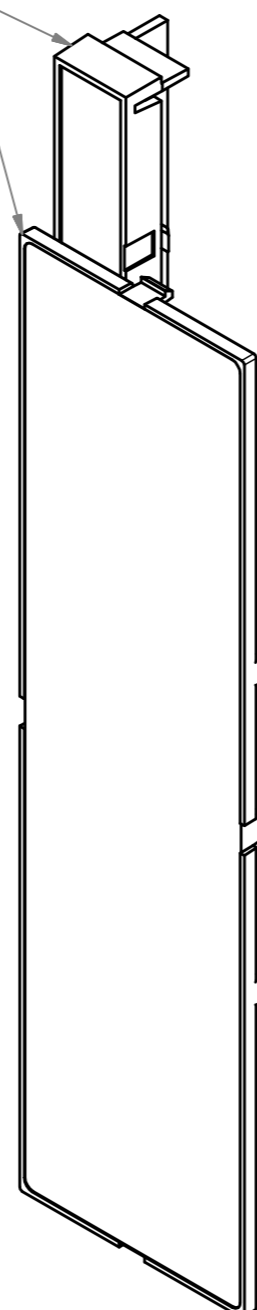
CIRCUIT BOARD "C"  
(NOT SUPPLIED)



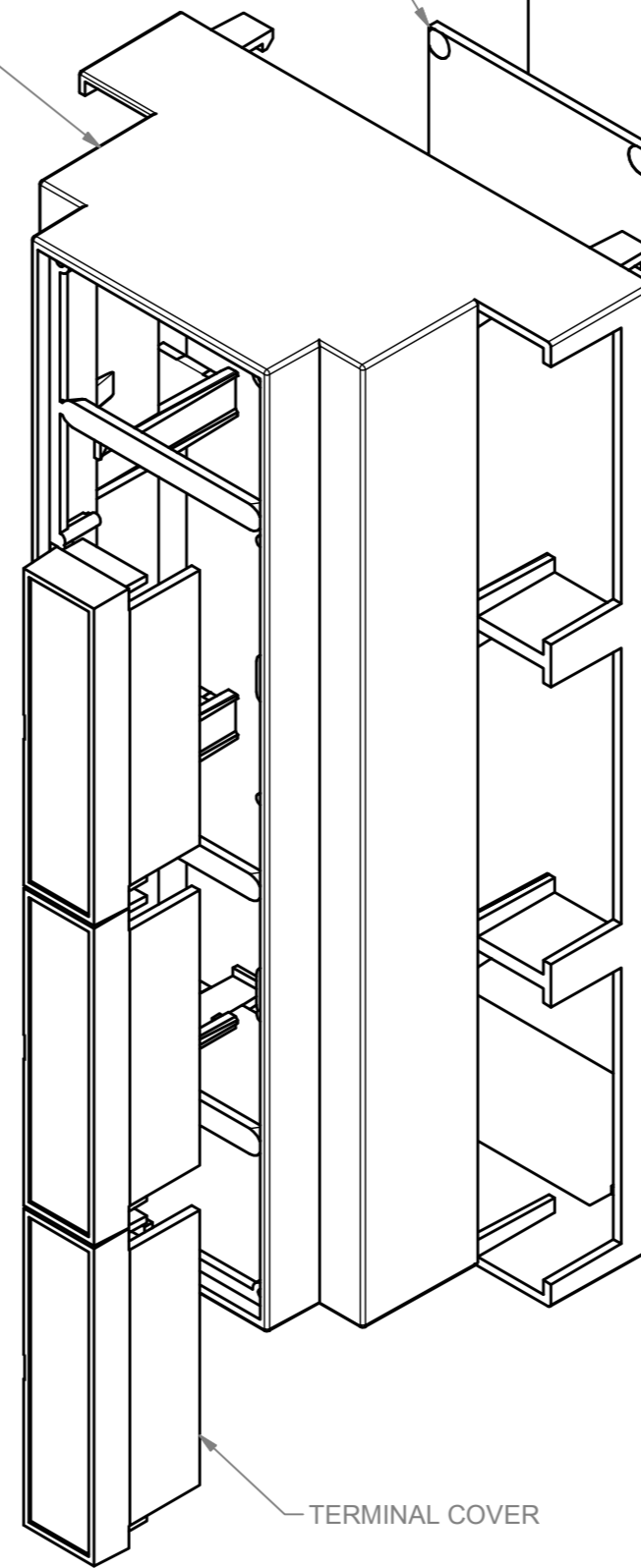
ZONE NO COMPONENTS

SEE LINK FOR TECHNICAL PCB  
<http://www.italtronic.info/download/modulboxone/PCB/>

EXAMPLE OF ACCESSORY



BODY



CIRCUIT BOARD "A"  
(NOT SUPPLIED)

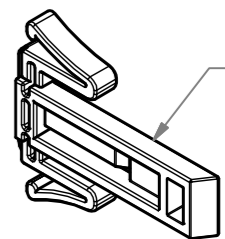
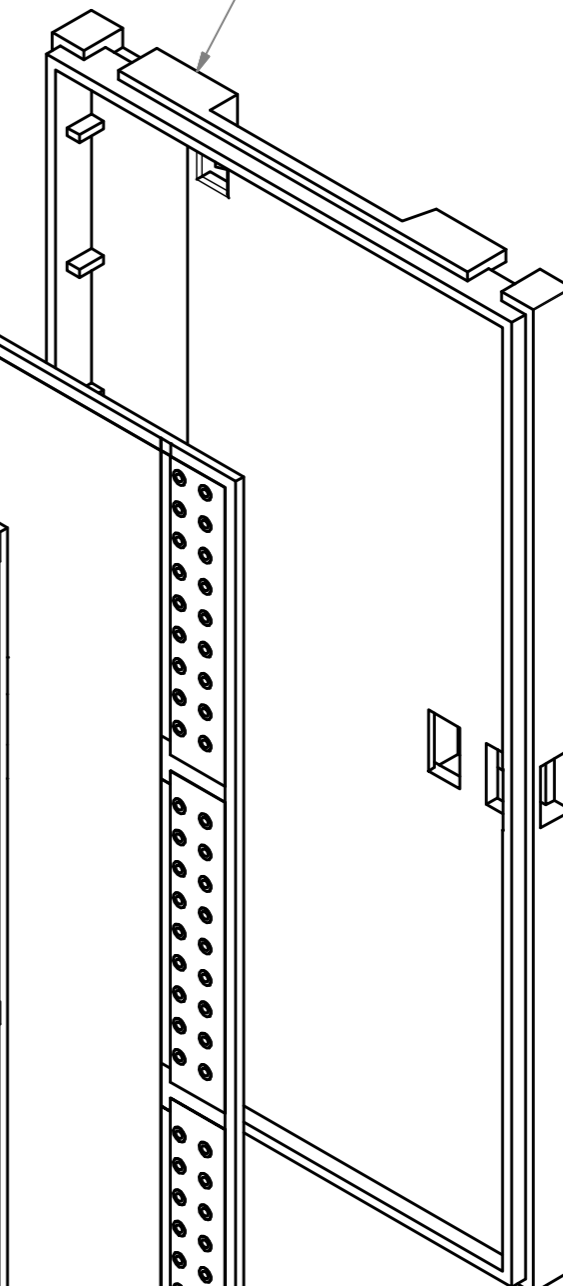
CIRCUIT BOARD "B"  
(NOT SUPPLIED)

CIRCUIT BOARD "C"  
(NOT SUPPLIED)

TERMINAL COVER

PANEL

BASE



HOOK

Da 0,5 a 3	Oltre 3 fino a 6	Oltre 6 fino a 30	Oltre 30 fino a 120	Oltre 120
$\pm 0,1$	$\pm 0,1$	$\pm 0,2$	$\pm 0,3$	$\pm 0,5$
RESERVED PROPERTY The present drawing cannot be reproduced or communicated to 3d parties, even partially, without the authorization of ITALTRONIC Srl. Italtronic reserves to protect its own rights according to the law.		Dimension in mm	SHEET NR. 2 / 2	DRAWING BY 
Date: 13/06/2013		Replaces nr.		Revision description
Drawn: Rigato N.	Checked: Dalla Montà D.	Scale: 1:1		5 4 3 2 1



Denomination:  
Contenitore completo modulbox 9MDH53  
Complete enclosure modulbox 9MDH53

ITALTRONIC S.R.L.  
VIA AUSTRIA 25/D 35127  
PADOVA - ITALY  
[www.italtronic.com](http://www.italtronic.com)

Drawing nr.  
**M-04830-01**

Aggiornato viste e aggiunto dimensioni circuiti stampati. 20/11/2014 Rigato N.

## X-ON Electronics

Largest Supplier of Electrical and Electronic Components

*Click to view similar products for [Italtronic](#) manufacturer:*

Other Similar products are found below :

[01.107L057](#) [01.109L057](#) [01.109L114](#) [01.112L057](#) [01.112L075](#) [01.509L057](#) [01.509L100](#) [03.4340000](#) [03.4350000](#) [05.0102530](#) [05.0202530](#)  
[05.0202680](#) [05.0302350](#) [05.0302530](#) [05.0402530](#) [05.0402680](#) [05.0404530](#) [05.0502530](#) [05.0601530](#) [05.0601680](#) [05.0602530](#) [05.0602680](#)  
[05.0901530](#) [05.0901680](#) [05.0902350](#) [05.0902530](#) [05.0902680](#) [06.2000000](#) [06.2050000](#) [06.2080000](#) [06.2110000](#) [06.2710000](#) [06.2730000](#)  
[06.3150000](#) [07.6000000](#) [07.6010000](#) [07.6020000](#) [07.6030000](#) [07.6040000](#) [07.6070000](#) [07.6080000](#) [07.6100000](#) [07.6110000](#) [07.6120000](#)  
[07.6130000](#) [07.6140000](#) [07.6320000](#) [07.6330000](#) [07.6340000](#) [07.6350000](#)