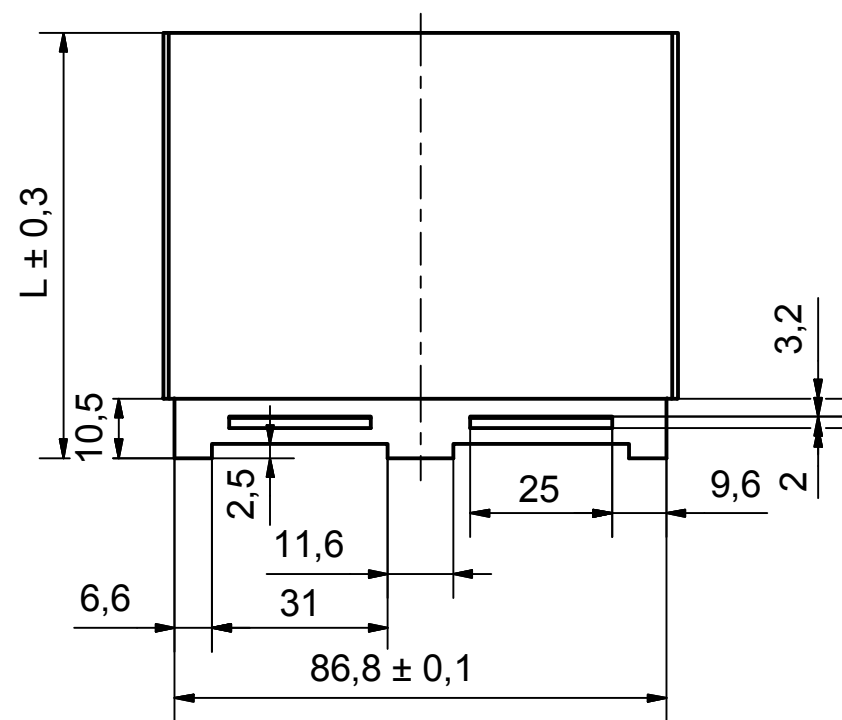
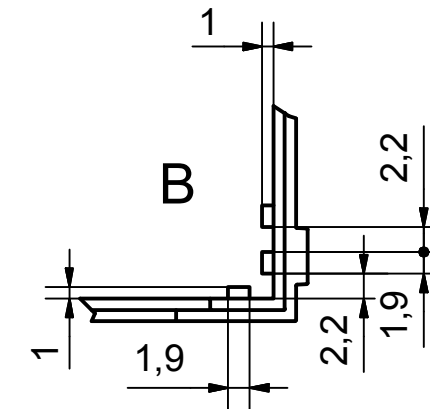


Different Length (L) of different enclosure:

- 48x96XT L=57 mm
- 48x96XT L= 75 mm
- 48x96XT L=100 mm
- 48x96XT L=124 mm
- 48x96XT Lxxx= 104 mm MAX



Da 0,5 a 3	Oltre 3 fino a 6	Oltre 6 fino a 30	Oltre 30 fino a 120	Oltre 120
± 0,1	± 0,1	± 0,2	± 0,3	± 0,5

RESERVED PROPERTY The present drawing cannot be reproduced or communicated to 3d parties, even partially, without the authorization of ITALTRONIC Srl. Italtronic reserves to protect its own rights according to the law.	Dimension in mm	SHEET NR. 1 / 1	DRAWING BY GAD Manual modification are not allowed	GENERAL TOLERANCE UNI EN 22768/1 Media (m)
		Date: 05/05/2004	Replace nr.	Revision description
Drawed: Mazzucato F.	Checked: Zorzato E.	Scale:		

Denomination:
Contenitore 48x96 XT
Enclosure 48x96 XT


ITALTRONIC S.R.L.
 VIA AUSTRIA 25/D 35127
 PADOVA - ITALY
www.italtronic.com

Drawing nr.
I-01092-04

General review. 13/05/13 Rigato N.

Changed the page footer. 10/08/2012 Reginato M.

5	4	3	2	1
---	---	---	---	---

X-ON Electronics

Largest Supplier of Electrical and Electronic Components

Click to view similar products for [Italtronic](#) manufacturer:

Other Similar products are found below :

[25.0101000.BL](#) [07.6350020](#) [6MDH53/7.5](#) [33.0614000.UNO](#) [61.6061000](#) [P05030204T](#) [P05030201T](#) [01.112L075](#) [12.0000010](#) [P05040201P](#)
[61.6100002](#) [P05120821F](#) [16.209L075](#) [10.0000175](#) [9M/821P](#) [25.1201000.BL](#) [07.6411915](#) [4MH53/7.5](#) [P05090201F.BL](#) [9MDH53/5](#)
[08.1190000](#) [6MDH53/5](#) [P05020215T.BL](#) [P05020204T.BL](#) [P05020208T.BL](#) [16.4333000](#) [33.0414000.UNO](#) [25.0906000.BL](#) [16.211L124](#)
[6M/821P](#) [25.0410000.UNO](#) [25.1210000.BL](#) [05.0901680](#) [06.3150000](#) [25.0406000.BL](#) [P05020721F](#) [P05020207T.BL](#) [5M/821P](#)
[25.0610000.BGB](#) [61.6041000](#) [P05040207T.BL](#) [P05080821F](#) [10.0012225.RPI](#) [11.4340000](#) [07.6320000](#) [07.6330000](#) [10.0051350](#)
[P05020202T.BL](#) [07.6650000](#) [07.6670100](#)