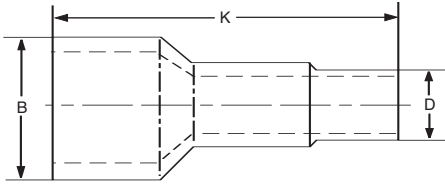


Accessories

Boot

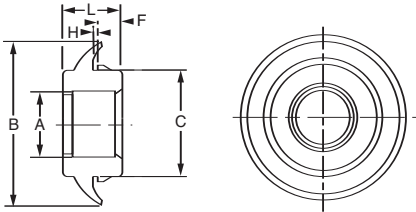
Seals wired cable jackets to connector housing. It also provides abrasion resistance.



For connector size	Order ref.	B Ø max.	D Ø max.	outer cable Ø	K max.
2 contacts	317-1398-000	16,51	9,65	5,28 – 5,79	52,07
3/4 contacts	317-1397-000	15,49	9,65	5,59 – 6,10	52,07
3/4 contacts	317-1399-000	19,05	12,70	8,76 – 9,65	52,07
5/7 contacts	317-8657-000	27,0	12,50	7,20 – 8,40	62,00
8/9/10 cont.	317-8657-002	31,2	16,2	10 – 12,4	63,7

Grommet

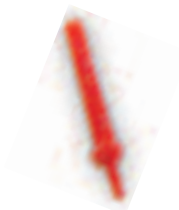
Grommets enable panel mounting of either plugs or receptacle. It snaps into a hole of a panel so non-flanged plugs or receptacles can be mounted.



For connector size	Order ref.	A Ø max.	B Ø max.	C Ø max.	F max.	H	L max.
2 contacts	315-1640-000	10,41	32,39	19,18	5,84	1,40	17,53
3/4 contacts	315-1641-000	11,94	32,39	19,18	5,84	1,40	17,53
5/6/7 contacts	315-1633-000	19,43	55,88	36,70	8,00	1,65	20,57
8/9/10 cont.	315-1634-000	22,61	55,88	36,70	8,00	1,65	20,57

Wire Fillers

Wire hole fillers are inserted into unused cavities instead of a contact in order to create a watertight sealing.

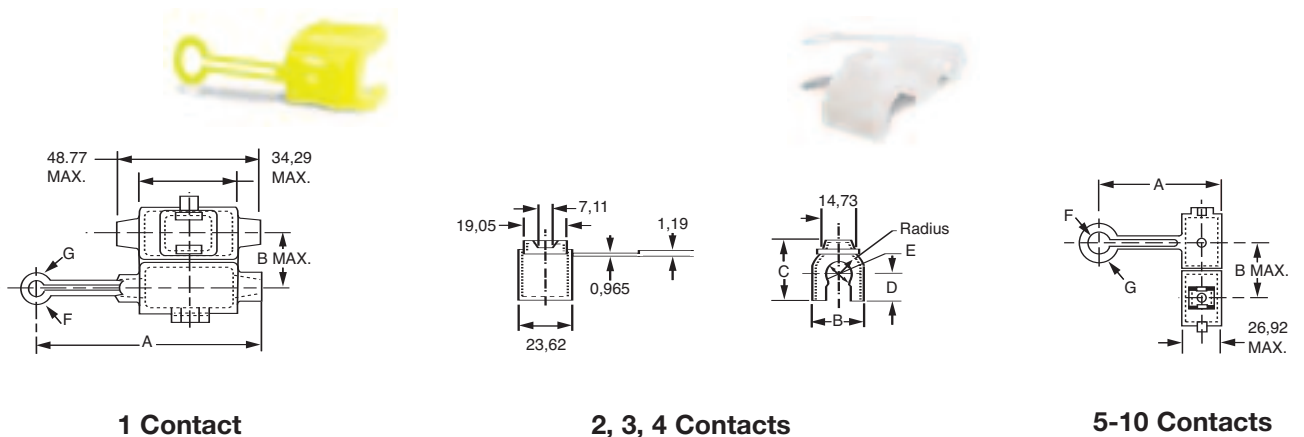
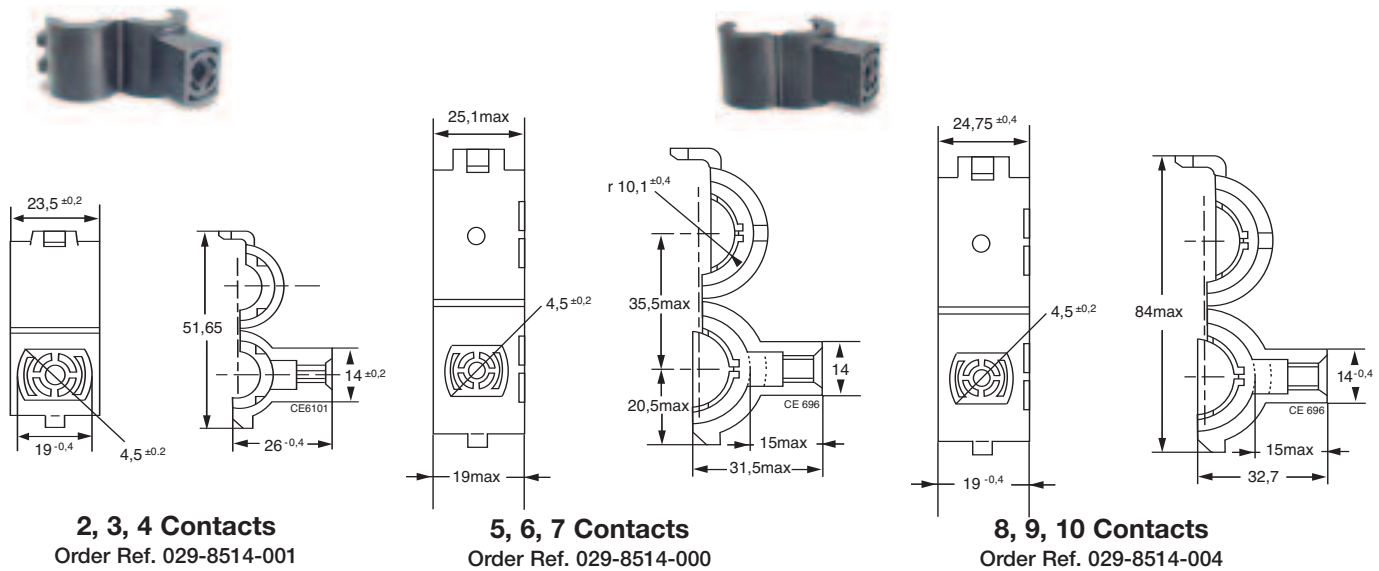


Wire hole filler
Part Number 225-1012-000

Wire hole filler
Part Number 225-0093-000

Accessories Clip/clamp

Clips/Clamps can be used as an extra lock to secure two connector halves. Due to its design it also offers the possibility for fixed mounting a mated pair by using a screw or a cable tie.



Clip/clamp

Clamps plug and receptacle in mated condition

Connector size	Color of clip/clamp	Order ref.	A max.	B	C	D	E Ø	F max.	G max.
1 contact	Black	026-0452-000	56,52	18,80	-	-	-	5,33	9,91
2 contacts	Red	029-0263-000	-	22,61	25,40	10,67	-	-	-
3/4 contacts	Yellow	029-0262-000	-	23,62	26,67	11,43	12,19	-	-
5/6/7 contacts	Natural	026-0450-000	77,34	35,43	-	-	-	15,49	23,11
8/9/10 contacts	Black	026-0451-000	77,34	38,61	-	-	-	16,76	24,38

X-ON Electronics

Largest Supplier of Electrical and Electronic Components

Click to view similar products for [Solder & Shield Tubing](#) category:

Click to view products by [ITT](#) manufacturer:

Other Similar products are found below :

[CTC-0062-20-9/5-9](#) [CTC-0062-22-9/5-9](#) [650076N001](#) [680441-000](#) [D-150-0331CS2902](#) [D-181-1222-90/9CS2800](#) [D-300-01CS1108](#) [982127-1](#) [D-436-0127CS391](#) [D-436-0182CS246](#) [D-436-37CS2651](#) [D-436-58CS246](#) [D-436-61CS246](#) [D-436-82-CS2621](#) [D-659-0087](#) [D-750-0005CS2493](#) [E53797N001](#) [S200-2-01](#) [S200-4-00CS2904](#) [LSS-81-16AA-CS5575](#) [SO63-2-9036-22CS2677](#) [SO63-3-01CS293](#) [SO63-3-9036-20CS2677](#) [SO63-3-9036-22CS2677](#) [SO63-4-9036-20CS2677](#) [SO63-5-9036-22CS2677](#) [CC1525-000](#) [CTA-0025](#) [CTA-0025CS072](#) [D-108-01CS227](#) [D-108-07CS436](#) [D-128-0010](#) [D-141-0108CS404](#) [D-142-51-202-7754](#) [D-144-41CS1371](#) [D-150-0231-NRCS2896](#) [B-801-18-01](#) [B-801-58](#) [515-9](#) [C67137-000](#) [D-436-36CS2908](#) [D-436-37CS2908](#) [D-436-52CS246](#) [D-436-83CS2705](#) [D-438-0102](#) [LSS-26-8A](#) [427243-000](#) [D-106-2012](#) [D-300-08CS1108](#) [UWCS-2U/7.6-1C/5.8](#)