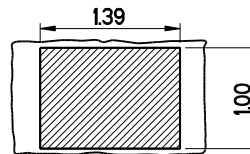
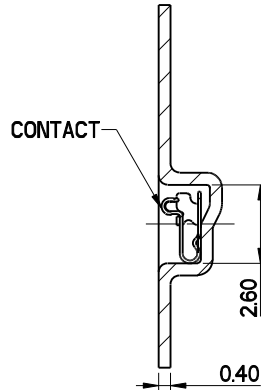
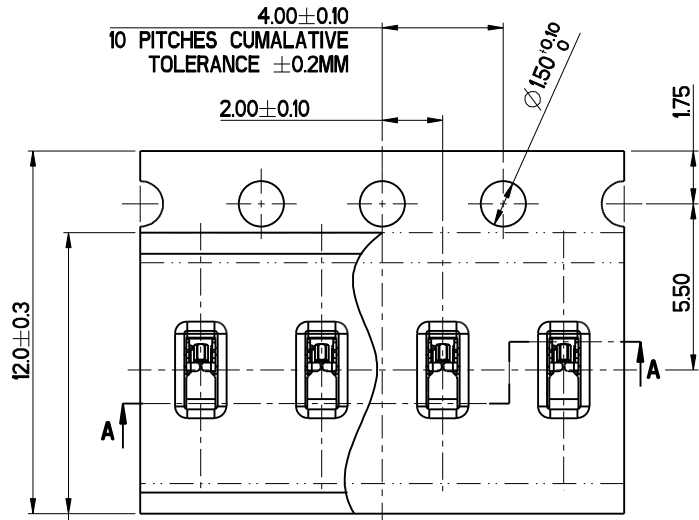


RECOMMENDED P.C.B

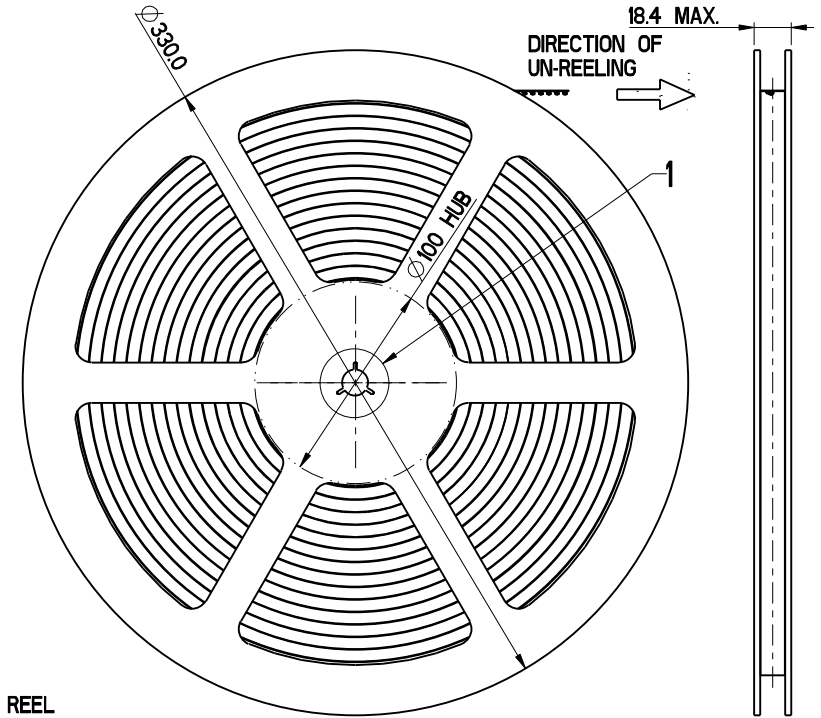


- NOTE:**
1. MATERIAL: TITANIUM COPPER 0.10 THICK
  2. FINISH: NICKEL UNDERPLATE 1.0/3.0 MICRONS
  3. PRE-LOAD FORCE: 0.35 N \* CONTACT POINT
  4. FORCE \* MAXIMUM DEFLECTION: 0.68 N \* CONTACT POINT
  5. RINGED DIMENSIONS AND GEOMETRIC TOLERANCE ARE CRITICAL.

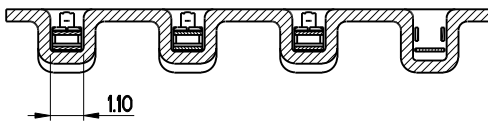
<b>DO NOT SCALE</b>						A3/B	
Drawn	BILLS	12-JUL-11	Material:	 ITT Industries Cannon Electronics (SZ) Co. Ltd. Toupandun Industrial Area, Jinda Cheng, Xiner Village, Shajing Town, Baoan District, Shenzhen City PRC 518125	Pro/E Generic Model		
Checked	PL	12-JUL-11	SEE NOTES 1		Title		
Engineer	BILLS	12-JUL-11			MICRO UNIVERSAL CONTACT Z 1.3mm		
Manufact.	-	-					
Assembly	-	-	Treatment:				
Quality	-	-		Ref: ""	Scale 20:1	Sheet 1 of 2	iss/rev
Approvals	Sign	Date	Dimensions in: mm	Cust Spec No:	Drwg. No. CU-120220-0310		B
This is issued in strict confidence on condition that it is not used as a basis for manufacture or sale and that it is not copied, reprinted or disclosed to a third party either wholly or in part without the prior written consent of ITT Industries © 24-May-05							



SECTION B-B



9.3 ANTI-STATIC COVER TAPE  
POLYESTER - 0.025 THICK  
PRESSURE SEAL



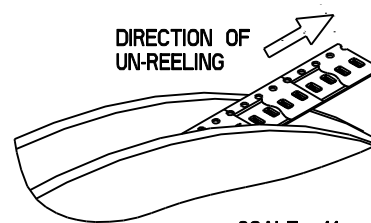
SECTION A-A

NOTES:

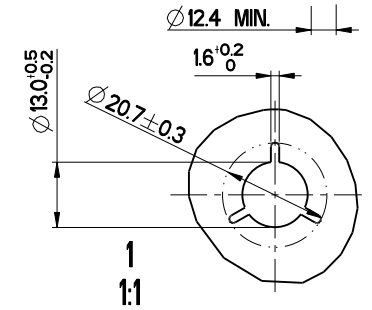
- 1, UNSPECIFIED INTERNAL RADII R0.2 MM MAX.
- 2, CARRIER TAPE MATERIAL - BLACK CONDUCTIVE POLYSTYRENE.

PACKAGING DETAILS

- 1) 9500 PCS TO BE PACKED PER REEL
- 2) LEADER : 400 MM
- 3) TRAILER : 160 MM
- 4) REEL MATERIAL - BLACK ANTI-STATIC POLYSTYRENE



SCALE 1:1



1:1

<b>DO NOT SCALE</b>							A3/B		
Drawn	BILLS	10-May-11	Material:	 3rd ANGLE PROJECTION Surface Roughness Unless Specified	 ITT Industries Cannon Electronics (SZ) Co. Ltd.	Toupandun Industrial Area, Jinda Cheng, Xiner Village, Shajing Town, Baoan District, Shenzhen City PRC 518125		Pro/E Generic Model	
Checked	PL	10-May-11	SEE NOTES 1			Title		MICRO UNIVERSAL CONTACT Z 1.3mm	
Engineer	BILLS	10-May-11							
Manufact.	-	-							
Assembly	-	-	Treatment:						
Quality	-	-							
Approvals	Sign	Date	Dimensions in: mm	Cust Spec No:	Scale 1:1	Sheet 2 of 2	Drwg. No. 120220-0310	iss/rev B	

This is issued in strict confidence on condition that it is not used as a basis for manufacture or sale and that it is not copied, reprinted or disclosed to a third party either wholly or in part without the prior written consent of ITT Industries © 24-May-05

## X-ON Electronics

Largest Supplier of Electrical and Electronic Components

*Click to view similar products for [Battery Contacts](#) category:*

*Click to view products by [ITT](#) manufacturer:*

Other Similar products are found below :

[3.5MM-UNIVERSAL-CONTACT](#) [120220-0311](#) [101267-209](#) [009155003001013](#) [RRC-MC21-90-10](#) [1011-1](#) [2472RB](#) [72](#) [1189](#) [120](#) [120220-0202](#) [120220-0206](#) [1241](#) [120220-0204](#) [120220-0210](#) [117](#) [111](#) [497](#) [5203](#) [5219](#) [5225](#) [550](#) [553](#) [555](#) [556](#) [202-02970-00518](#)  
[009155002100006](#) [009155002101006](#) [009155002201006](#) [009155002301006](#) [009155002401006](#) [009155002402006](#) [009155002541006](#)  
[009155002852006](#) [009155003001016](#) [009155003002016](#) [009155003003016](#) [009155003100006](#) [009155003101006](#) [009155003201006](#)  
[009155003301006](#) [009155003401006](#) [009155003402006](#) [009155003541006](#) [009155003852006](#) [009155004001016](#) [009155004002016](#)  
[009155004003016](#) [009155004201006](#) [009155004301006](#)