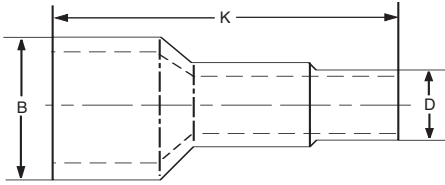


## Accessories

### Boot

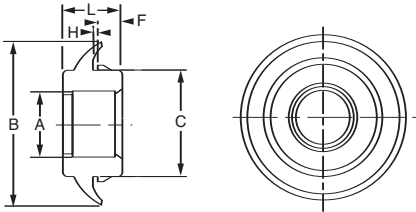
Seals wired cable jackets to connector housing. It also provides abrasion resistance.



For connector size	Order ref.	B Ø max.	D Ø max.	outer cable Ø	K max.
2 contacts	317-1398-000	16,51	9,65	5,28 – 5,79	52,07
3/4 contacts	317-1397-000	15,49	9,65	5,59 – 6,10	52,07
3/4 contacts	317-1399-000	19,05	12,70	8,76 – 9,65	52,07
5/7 contacts	317-8657-000	27,0	12,50	7,20 – 8,40	62,00
8/9/10 cont.	317-8657-002	31,2	16,2	10 – 12,4	63,7

### Grommet

Grommets enable panel mounting of either plugs or receptacle. It snaps into a hole of a panel so non-flanged plugs or receptacles can be mounted.



For connector size	Order ref.	A Ø max.	B Ø max.	C Ø max.	F max.	H	L max.
2 contacts	315-1640-000	10,41	32,39	19,18	5,84	1,40	17,53
3/4 contacts	315-1641-000	11,94	32,39	19,18	5,84	1,40	17,53
5/6/7 contacts	315-1633-000	19,43	55,88	36,70	8,00	1,65	20,57
8/9/10 cont.	315-1634-000	22,61	55,88	36,70	8,00	1,65	20,57

### Wire Fillers

Wire hole fillers are inserted into unused cavities instead of a contact in order to create a watertight sealing.

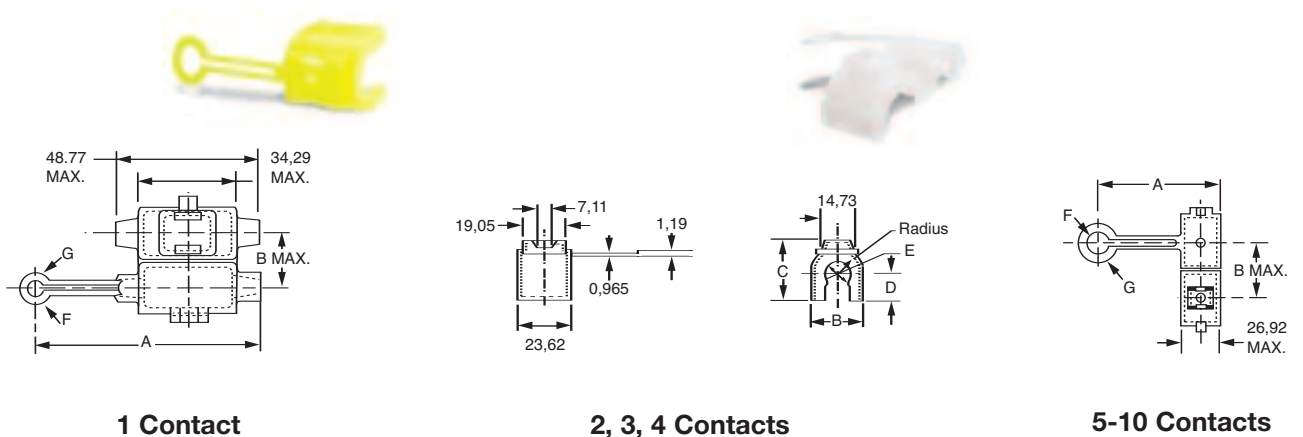
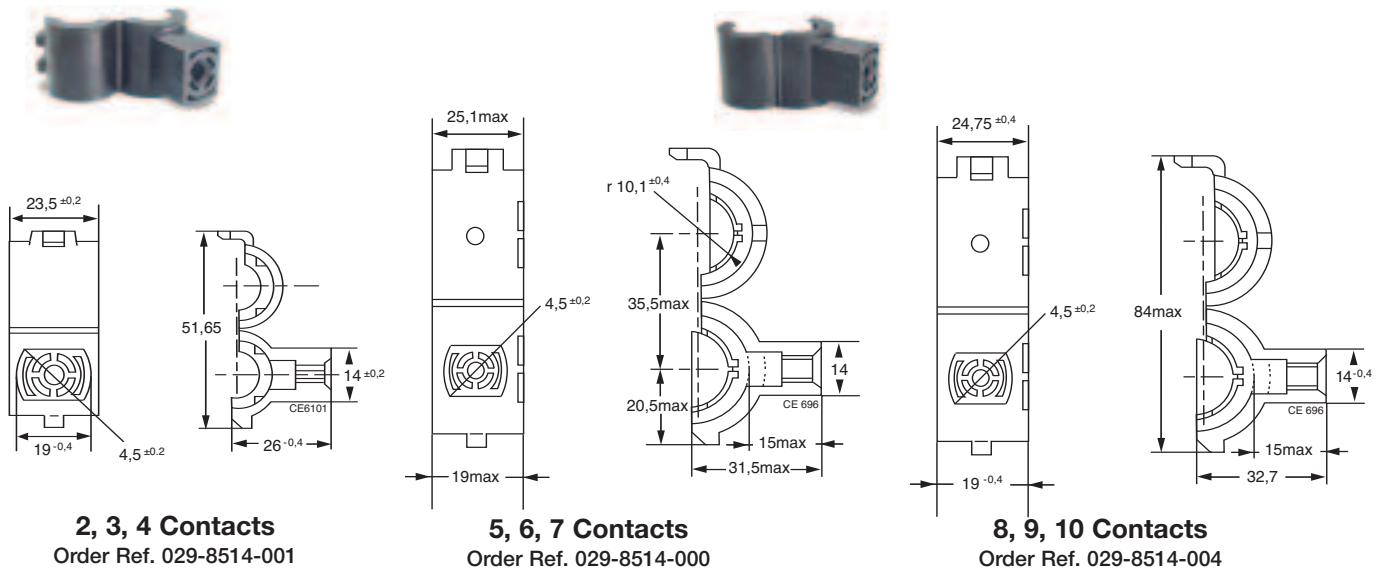


Wire hole filler  
Part Number 225-1012-000

Wire hole filler  
Part Number 225-0093-000

## Accessories Clip/clamp

Clips/Clamps can be used as an extra lock to secure two connector halves. Due to its design it also offers the possibility for fixed mounting a mated pair by using a screw or a cable tie.



### Clip/clamp

Clamps plug and receptacle in mated condition

Connector size	Color of clip/clamp	Order ref.	A max.	B	C	D	E Ø	F max.	G max.
1 contact	Black	026-0452-000	56,52	18,80	-	-	-	5,33	9,91
2 contacts	Red	029-0263-000	-	22,61	25,40	10,67	-	-	-
3/4 contacts	Yellow	029-0262-000	-	23,62	26,67	11,43	12,19	-	-
5/6/7 contacts	Natural	026-0450-000	77,34	35,43	-	-	-	15,49	23,11
8/9/10 contacts	Black	026-0451-000	77,34	38,61	-	-	-	16,76	24,38

## X-ON Electronics

Largest Supplier of Electrical and Electronic Components

*Click to view similar products for [Circular MIL Spec Backshells](#) category:*

*Click to view products by [ITT](#) manufacturer:*

Other Similar products are found below :

[5M2919-3DW](#) [5M2920-3CW](#) [5M2953-1HW](#) [60-036152-022](#) [610HS012M15](#) [M28840/504WA](#) [M28840/805WB](#) [M28840/809WA](#)  
[M28840/815WA](#) [M28840/816WA](#) [627AS017M14](#) [62GB5851608S](#) [655HS002NF11](#) [CW3703-000](#) [CW3899-000](#) [M85049/10-134S](#)  
[M85049/10-17S](#) [M85049/10-33S](#) [M85049/10-94W](#) [M85049/11-09W](#) [M85049/11-28N](#) [M85049/11-37N](#) [M85049/11-53N](#) [M85049/11-63N](#)  
[M85049/118-20W](#) [M85049/124-23W](#) [M85049/124S09W](#) [M85049/126S23W](#) [M850491712W02](#) [M85049/1720N04B](#) [M85049/1817N06](#)  
[M850491819W03](#) [M85049/1821W05C](#) [M85049/1825W06C](#) [M85049/1919N05](#) [M85049/1919W04](#) [M850491919W07](#) [M85049/23-59W](#)  
[M85049/23-74W](#) [M8504924-5W](#) [M85049/24-71N](#) [M85049/25-47N](#) [M85049/25-94W](#) [M85049/27S12N](#) [M8504938-13S](#) [M85049/38-19S](#)  
[M85049/39-11S](#) [M85049/39-17S](#) [M85049/39-9S](#) [M85049/3W4A2](#)