



ITT

Interconnect Solutions
Canon, VEAM, BIW

Defining **innovative**
aviation, military, and
industrial circulars since the DC-1,
over **70 years** ago



Engineered for life

Introduction

ITT, Interconnect Solutions connections series CA-COM and CA-COM-B are derivations of connectors according to MIL-C-5015 or VG95234. They were developed especially for industrial applications. Connectors of both CA-COM series are interchangeable with the corresponding types as per MIL-C-5015 and VG95234, as they offer the same mounting dimensions and contact arrangements.

The entire CA-COM connector line is RoHS compliant.

The CA-COM and CA-COM-B connector series offer:

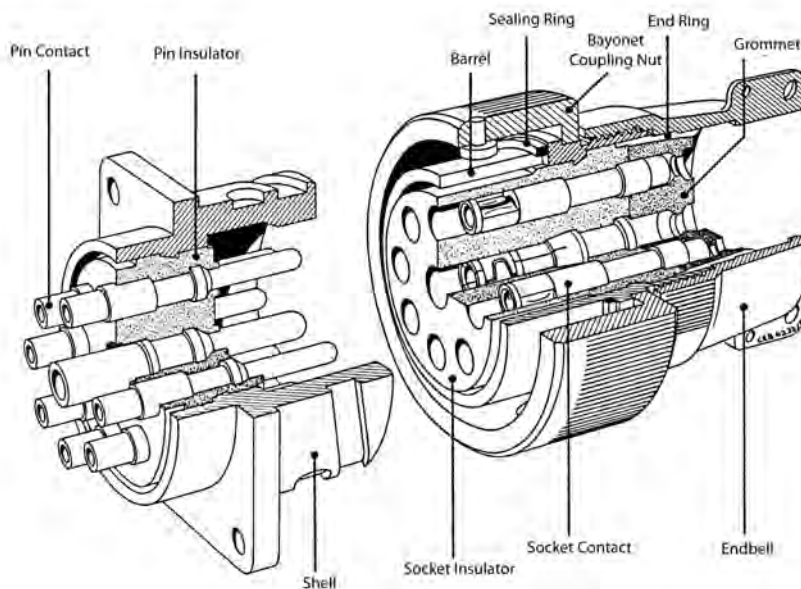
- Wall mounting receptacles
- Cable connecting plugs
- Box mounting receptacles
- Straight plugs
- Plugs 90°

Wall mounting receptacles and cable connecting plugs (straight and 90°) are available with:

- Endbell with cable clamp
- Endbell for flex tubes
- Adapter combined for PG and metric terminations acc. To DIN 46320
- Adapter for heat shrink boots

Furthermore Cannon also provides the appropriate accessories, like:

- Protective metal caps
- Cable clamps
- Cable bushings
- Sealing gaskets



CA-COM

- Thread coupling
- Mateable with all connectors according to MIL-C-5015 and series CA respectively
- Either solder or crimp contacts
- Contact arrangements with 1 to 37 contacts
- Wire sizes from 0, 14 up to 2,5 mm²
- Shells made of aluminum alloy enable to withstand high mechanical strain*
- Resilient insulator (polychloroprene) for wide temperature range (-55/125°C)
- Resistant against aggressive fluids like fuel, oil, etc.
- Environmental by means of an adaptor for PG termination, universal endbell and heat shrink boots
- Min 500 mating cycles
- Spray-waterproof IP65 (with grommet)

CA-COM-B

- Bayonet coupling
- Mateable with all connectors according to VG95234 and series CA-B respectively
- Either solder or crimp contacts
- Contact arrangements with 1 to 37 contacts
- Wire sizes from 0,14 to 2,5 mm²
- Resilient insulator (polychloroprene) for wide temperature range (-55/125°C)
- Resistant against aggressive fluids like fuel, oil, etc.
- Environmental by means of an adaptor for PG termination, universal endbell and heat shrink boots
- Min 500 mating cycles
- Waterproof IP67 (with grommet)

NOTE: *Receptacle size 14S and barrel size 18 + 20 are made of Zinc diecast material. Aluminum versions available upon request

Dimensions shown in inches (mm)
Specifications and dimensions subject to change

www.ittcannon.com



A

Circular

CA-COM



Circular

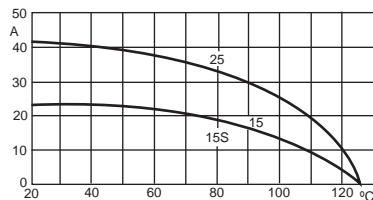
A

Rated Current 20°C ambient temperature

Contact size AWG/metric	Rated Current A max ¹⁾
15S	22
15	22
25	41
100	74

¹⁾ This applies only to the max. rated current for one contact. If several contacts in one contact arrangement are loaded with higher current the specific heat and the ambient temperature may not exceed + 125°C.

Rated Current vs ambient temperature



Electrical Data

Contact Resistance (Millivolt test)

Contact size metric	Contact Resistance Ω max
15S	6
15	6
25	3
100	1

Insulation resistance > 1000 MΩ

Air and Creepage paths (min)

Voltage class	Instr.	A	D
Air path mm	0,7	1,1	2,8
Creepage path mm	0,7	1,1	2,8

Operating Voltage and connector usage

When the connectors in this catalog are used for voltages greater than 50 Volts and have touchable conductive shell parts they must be used in accordance with the safety regulations DIN VDE Part 410; IEC 60364-4-41. This regulation basically dictates that the power source should be turned off before any mating and unmating of the connector. This regulation does not provide protection against electrical shock when mating and unmating the connectors in live condition.

Mechanical Data

Max Operating Temperature

-67°/257°F (-55/125°C)

Mating Cycles min 500

Min separating force per contact

Contact size AWG/metric	Separating force N
15S	1,0
15	1,0
25	1,5
100	3,0

Contact Retention

Test force to be applied in mating direction.

Contact size metric	Test force N
15S	35
15	35
25	55
100	80

Coupling Torque

The allowable coupling torque has to be tested under harnessed conditions.

Shell size	Allowable coupling torque Closing and opening (N max)		Opening (N min) CA-COM, CA-COM-B
	CA-COM	CA-COM-B	
10SL	3,0	2,6	0,15
12S	2,8	2,8	0,23
14S	5,9	3,0	0,35
16S/16	7,0	3,5	0,46
18	8,0	4,0	0,58
20	9,0	4,5	0,7
22	10,6	5,0	0,8
24	12,9	6,0	0,8
28	16,7	7,0	0,92
32	18,1	8,5	1,02
36	23,9	10,0	1,05

Materials

Shell	Aluminum alloy Zinc diecast nickel plated
Contacts	Copper alloy, silver plated, solder lead free
Insulator	Polychloroprene
Grommet	Polychloroprene



Dimensions shown in inches (mm)
Specifications and dimensions subject to change

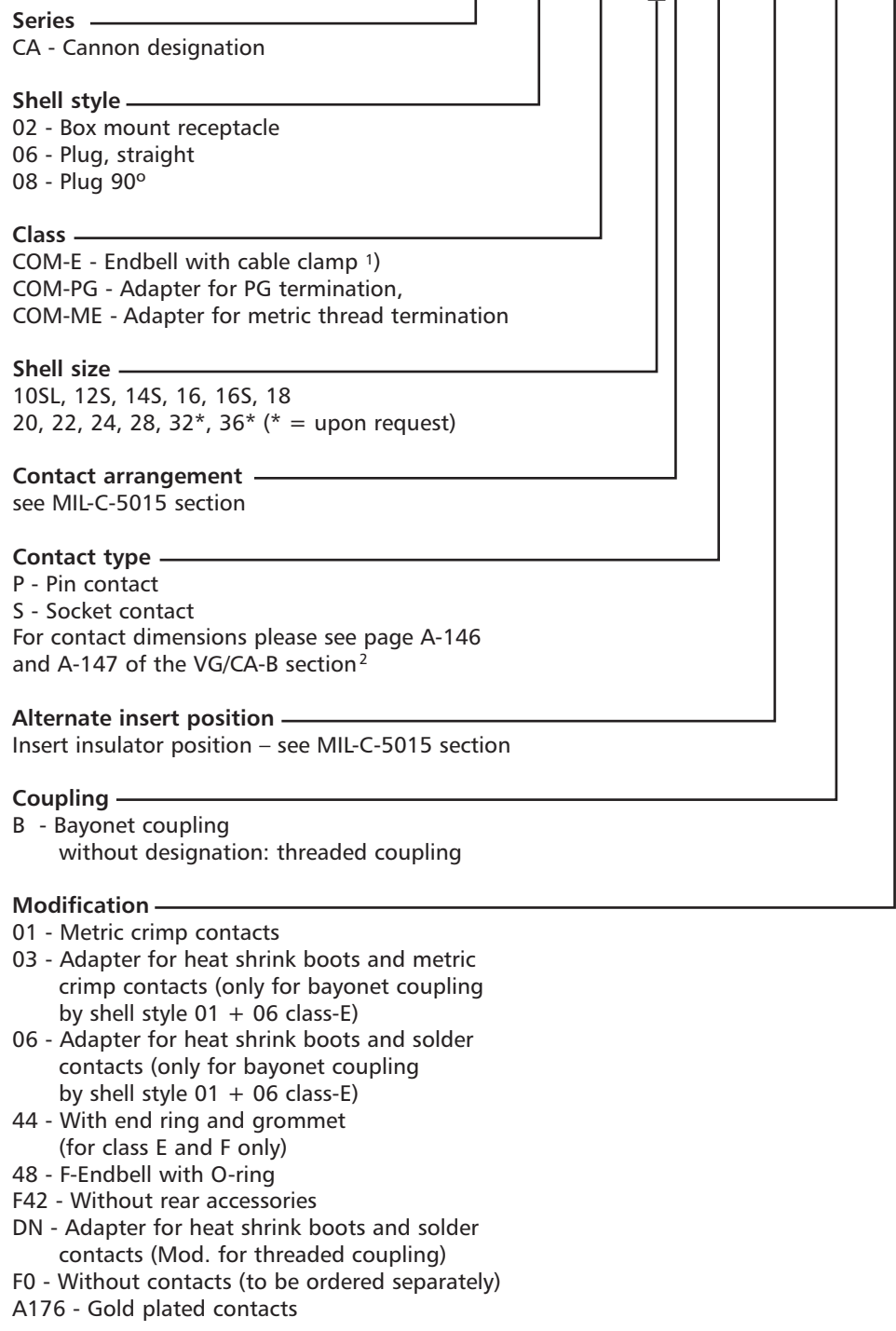
www.ittcannon.com

How to Order



Circular

CA 06 COM-E 18-1 P W B XX
 CA 06 COM-E 18-1 P W B XX



1) except shell style 02/20
 2) for relevant tools please see page A-148
 of VG/CA-B section



CA-COM



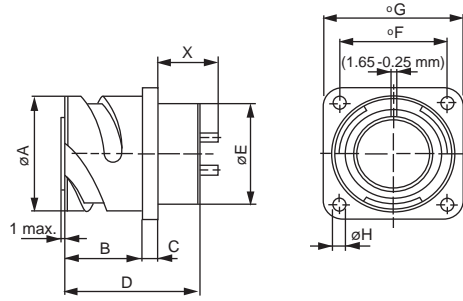
A

Circular

Box Mounting Receptacle, Class E

CA02COM-E-B
with bayonet coupling

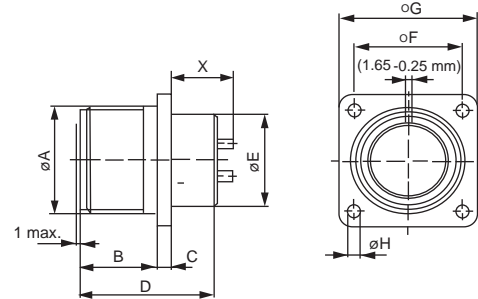
CA02COM-E-B is a box mounting receptacle for front panel mounting. It mates with plugs CA06COM-B and CA08COM-B.



Part No. Pin Insert*	A (-0,15)	B (+0,4)	C (±0,2)	D (±0,3)	E max.	F (±0,1)	G (±0,3)	H H ₁₃	X 15	/ Contact size	
										25	100
CA02COM-E10SL-**-P*-B	0.72 (18.2)	0.56 (14.2)	0.11 (2.8)	0.97 (24.7)	0.64 (16.2)	0.72 (18.2)	1.00 (25.4)	0.13 (3.2)	0.54 (13.6)	—	—
CA02COM-E12S-**-P*-B	0.84 (21.4)	0.56 (14.2)	0.13 (3.2)	0.97 (24.7)	0.64 (16.2)	0.81 (20.6)	1.10 (28.0)	0.13 (3.2)	0.52 (13.2)	—	—
CA02COM-E14S-**-P*-B	0.97 (24.6)	0.56 (14.2)	0.13 (3.2)	0.97 (24.7)	0.76 (19.2)	0.91 (23.0)	1.18 (30.0)	0.13 (3.2)	0.52 (13.2)	—	—
CA02COM-E16S-**-P*-B	1.08 (27.4)	0.56 (14.2)	0.13 (3.2)	0.97 (24.7)	0.88 (22.4)	0.97 (24.6)	1.28 (32.5)	0.13 (3.2)	0.52 (13.2)	—	—
CA02COM-E16-**-P*-B	1.08 (27.4)	0.75 (19.0)	0.13 (3.2)	1.33 (33.8)	0.88 (22.4)	0.97 (24.6)	1.28 (32.5)	0.13 (3.2)	0.70 (17.9)	0.70 (17.9)	0.77 (19.5)
CA02COM-E18-**-P*-B	1.21 (30.8)	0.75 (19.0)	0.16 (4.0)	1.33 (33.8)	1.01 (25.6)	1.06 (27.0)	1.38 (35.0)	0.13 (3.2)	0.67 (17.1)	0.67 (17.1)	0.74 (18.7)
CA02COM-E20-**-P*-B	1.35 (34.2)	0.75 (19.0)	0.16 (4.0)	1.33 (33.8)	1.14 (29.0)	1.16 (29.4)	1.49 (38.0)	0.13 (3.2)	0.67 (17.1)	0.67 (17.1)	0.74 (18.7)
CA02COM-E22-**-P*-B	1.47 (37.4)	0.75 (19.0)	0.16 (4.0)	1.33 (33.8)	1.27 (32.2)	1.25 (31.8)	1.16 (41.0)	0.13 (3.2)	0.67 (17.1)	0.67 (17.1)	0.74 (18.7)
CA02COM-E24-**-P*-B	1.61 (40.9)	0.81 (20.6)	0.16 (4.0)	1.33 (33.8)	1.40 (35.3)	1.37 (34.9)	1.75 (44.5)	0.15 (3.7)	0.61 (15.5)	0.61 (15.5)	0.67 (17.1)
CA02COM-E28-**-P*-B	1.84 (46.7)	0.81 (20.6)	0.16 (4.0)	1.33 (33.8)	1.63 (41.4)	1.56 (39.7)	2.00 (50.8)	0.15 (3.7)	0.61 (15.5)	0.61 (15.5)	0.67 (17.1)
CA02COM-E32-**-P*-B	2.10 (53.4)	0.87 (22.2)	0.16 (4.0)	1.33 (33.8)	1.88 (47.8)	1.75 (44.5)	2.24 (57.0)	0.17 (4.3)	0.55 (13.9)	0.61 (15.5)	0.61 (15.5)
CA02COM-E36-**-P*-B	2.35 (59.6)	0.87 (22.2)	0.16 (4.0)	1.33 (33.8)	2.07 (52.6)	1.94 (49.2)	2.50 (63.5)	0.17 (4.3)	0.55 (13.9)	0.61 (15.5)	0.61 (15.5)

CA02COM-E
with threaded coupling

CA02COM-E is a box mounting receptacle for front panel mounting. It mates with plugs CA06COM and CA08COM.



Part No. Pin Insert*	A Thread	B (+0,4)	C (±0,3)	D max.	E max.	F (±0,1)	G (±0,3)	H (+0,2)	X 15	/ Contact size	
										25	100
CA02COM-E10SL-**-P*	5/8-24UNEF-2A	0.56 (14.2)	0.11 (2.8)	0.99 (25.1)	0.63 (15.9)	0.72 (18.2)	1.00 (25.4)	0.12 (3.1)	0.54 (13.6)	—	—
CA02COM-E12S-**-P*	3/4-20UNEF-2A	0.56 (14.2)	0.13 (3.2)	0.99 (25.1)	0.63 (15.9)	0.81 (20.6)	1.10 (28.0)	0.12 (3.1)	0.52 (13.2)	—	—
CA02COM-E14S-**-P*	7/8-20UNEF-2A	0.56 (14.2)	0.13 (3.2)	0.99 (25.1)	0.75 (19.0)	0.91 (23.0)	1.18 (30.0)	0.12 (3.1)	0.52 (13.2)	—	—
CA02COM-E16S-**-P*	1-20UNEF-2A	0.56 (14.2)	0.13 (3.2)	0.99 (25.1)	0.87 (22.2)	0.97 (24.6)	1.28 (32.5)	0.12 (3.1)	0.52 (13.2)	—	—
CA02COM-E16-**-P*	1-20UNEF-2A	0.75 (19.0)	0.13 (3.2)	1.35 (34.2)	0.87 (22.2)	0.97 (24.6)	1.28 (32.5)	0.12 (3.1)	0.70 (17.9)	0.70 (17.9)	0.77 (19.5)
CA02COM-E18-**-P*	1-1/8-18UNEF-2A	0.75 (19.0)	0.16 (4.0)	1.35 (34.2)	1.00 (25.4)	1.06 (27.0)	1.38 (35.0)	0.12 (3.1)	0.67 (17.1)	0.67 (17.1)	0.74 (18.7)
CA02COM-E20-**-P*	1-1/4-18UNEF-2A	0.75 (19.0)	0.16 (4.0)	1.35 (34.2)	1.14 (29.0)	1.16 (29.4)	1.49 (38.0)	0.12 (3.1)	0.67 (17.1)	0.67 (17.1)	0.74 (18.7)
CA02COM-E22-**-P*	1-3/8-18UNEF-2A	0.75 (19.0)	0.16 (4.0)	1.35 (34.2)	1.27 (32.2)	1.25 (31.8)	1.61 (41.0)	0.12 (3.1)	0.67 (17.1)	0.67 (17.1)	0.74 (18.7)
CA02COM-E24-**-P*	1-1/2-18UNEF-2A	0.81 (20.6)	0.16 (4.0)	1.35 (34.2)	1.39 (35.3)	1.37 (34.9)	1.75 (44.5)	0.15 (3.7)	0.61 (15.5)	0.61 (15.5)	0.67 (17.1)
CA02COM-E28-**-P*	1-3/4-18UNEF-2A	0.81 (20.6)	0.16 (4.0)	1.35 (34.2)	1.62 (41.2)	1.56 (39.7)	2.00 (50.8)	0.15 (3.7)	0.61 (15.5)	0.61 (15.5)	0.67 (17.1)
CA02COM-E32-**-P*	2-18UNS-2A	0.87 (22.2)	0.16 (4.0)	1.35 (34.2)	1.87 (47.6)	1.75 (44.5)	2,24 (57.0)	0.17 (4.4)	0.55 (13.9)	0.55 (13.9)	0.61 (15.5)
CA02COM-E36-**-P*	2-1/4-16UN-2A	0.87 (22.2)	0.16 (4.0)	1.35 (34.2)	2.06 (52.4)	1.94 (49.2)	2.50 (63.5)	0.17 (4.4)	0.55 (13.9)	0.55 (13.9)	0.61 (15.5)

* For socket inserts substitute "S" for "P"

** Add contact arrangement number (see pages A-135 and A-136)



Dimensions shown in inches (mm)
Specifications and dimensions subject to change

www.ittcannon.com

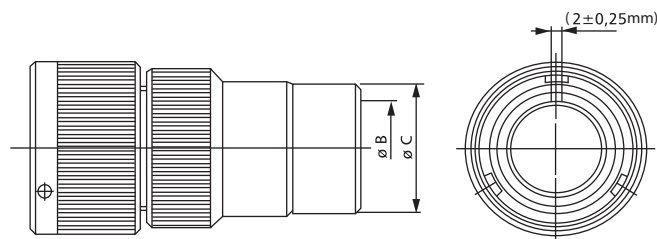
Straight Plug, Class PG/ME



Circular

CA06COM-PG/ME-B
with bayonet coupling

CA06COM-PG/ME-B is a straight plug for usage of PG and metric terminations. It mates with receptacles CA00COM-B, CA01COM-B and CA02COM-E-B.

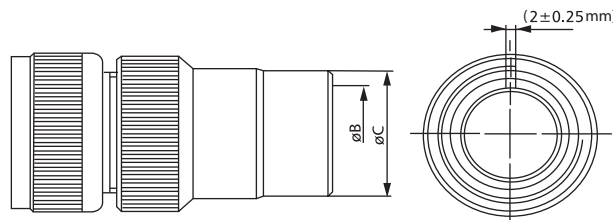


Part No. Pin Insert*	B PG Thread	C max.	B Metric thread dim.	C max. metric
CA06COM-XX-10SL-**-P*-B	PG9	0.71 (18)	M16x1,5	0.85 (21.5)
CA06COM-XX-12S-**-P*-B	PG9	0.75 (19)	M16x1,5	0.89 (22.5)
CA06COM-XX-14S-**-P*-B	PG11	0.87 (22)	M20x1,5	0.98 (25.0)
CA06COM-XX-16S-**-P*-B	PG13,5	0.94 (24)	M20x1,5	1.04 (26.5)
CA06COM-XX-16-**-P*-B	PG13,5	0.94 (24)	M20x1,5	1.04 (26.5)
CA06COM-XX-18-**-P*-B	PG13,5	0.98 (25)	M20x1,5	1.22 (31.0)
CA06COM-XX-20-**-P*-B	PG16	1.06 (27)	M25x1,5	1.34 (34.0)
CA06COM-XX-22-**-P*-B	PG16	1.06 (27)	M25x1,5	1.57 (40.0)
CA06COM-XX-24-**-P*-B	PG16	1.06 (27)	M32x1,5	1.57 (40.0)
CA06COM-XX-28-**-P*-B	PG21	1.26 (32)	M32x1,5	1.61 (41.0)
CA06COM-XX-32-**-P*-B	PG29	1.61 (41)	M40x1,5	1.91 (48.5)
CA06COM-XX-36-**-P*-B	PG29	1.61 (41)	upon request	upon request

For other dimensions see CA6COM-EB

CA06COM-PG/ME
with threaded coupling

CA06COM-PG/ME is a straight plug for usage of PG and metric terminations. It mates with receptacles CA00COM, CA01COM and CA02COM-E.



Part No. Pin Insert*	B PG Thread	C max.	B Metric thread dim.	C max. metric
CA06COM-XX-10SL-**-P*	PG9	0.71 (18)	M16x1,5	0.85 (21.5)
CA06COM-XX-12S-**-P*	PG9	0.75 (19)	M16x1,5	0.89 (22.5)
CA06COM-XX-14S-**-P*	PG11	0.87 (22)	M20x1,5	0.98 (25.0)
CA06COM-XX-16S-**-P*	PG13,5	0.94 (24)	M20x1,5	1.04 (26.5)
CA06COM-XX-16-**-P*	PG13,5	0.94 (24)	M20x1,5	1.04 (26.5)
CA06COM-XX-18-**-P*	PG13,5	0.98 (25)	M20x1,5	1.22 (31.0)
CA06COM-XX-20-**-P*	PG16	1.06 (27)	M25x1,5	1.34 (34.0)
CA06COM-XX-22-**-P*	PG16	1.06 (27)	M25x1,5	1.57 (40.0)
CA06COM-XX-24-**-P*	PG16	1.06 (27)	M32x1,5	1.57 (40.0)
CA06COM-XX-28-**-P*	PG21	1.26 (32)	M32x1,5	1.61 (41.0)
CA06COM-XX-32-**-P*	PG29	1.61 (41)	M40x1,5	1.91 (48.5)
CA06COM-XX-36-**-P*	PG29	1.61 (41)	upon request	upon request

* For socket inserts substitute "S" for "P"

** Add contact arrangement number (see pages A-135 and A-136)

XX: Please choose PG or ME

For other dimensions see CA6COM-E

Dimensions shown in inches (mm)
Specifications and dimensions subject to change

www.ittcannon.com



CA-COM

Straight Plug, Class E



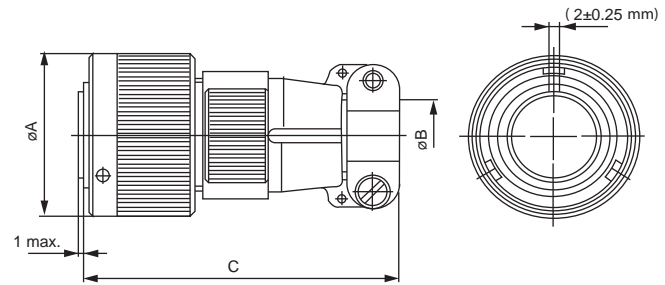
A

Circular

CA06COM-E-B

with bayonet coupling

CA06COM-E-B is a straight plug with endbell and cable clamp. It mates with receptacles CA00COM-B, CA01COM-B and CA02COM-E-B.

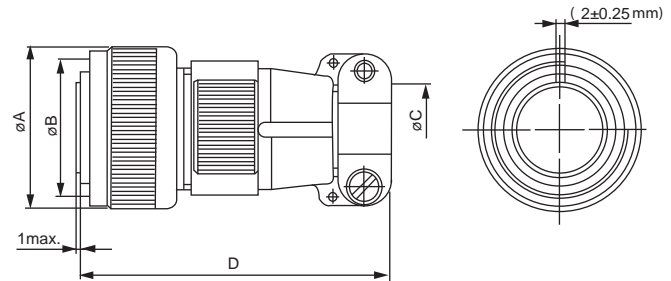


Part No. Pin Insert*	A max.	B ¹⁾	C max.
CA06COM-E10SL-**-P*-B	0.90 (22.8)	0.31 (7.9)	2.09 (53)
CA06COM-E12S-**-P*-B	1.02 (26.0)	0.31 (7.9)	2.09 (53)
CA06COM-E14S-**-P*-B	1.15 (29.2)	0.44 (11.1)	2.17 (55)
CA06COM-E16S-**-P*-B	1.26 (32.0)	0.56 (14.2)	2.20 (56)
CA06COM-E16-**-P*-B	1.26 (32.0)	0.56 (14.2)	2.60 (66)
CA06COM-E18-**-P*-B	1.44 (36.5)	0.62 (15.8)	2.68 (68)
CA06COM-E20-**-P*-B	1.57 (39.9)	0.75 (19.0)	2.68 (68)
CA06COM-E22-**-P*-B	1.70 (43.1)	0.75 (19.0)	2.68 (68)
CA06COM-E24-**-P*-B	1.83 (46.6)	0.93 (23.7)	2.99 (76)
CA06COM-E28-**-P*-B	2.10 (53.4)	0.93 (23.7)	2.99 (76)
CA06COM-E32-**-P*-B	2.37 (60.1)	1.25 (31.8)	2.99 (76)
CA06COM-E36-**-P*-B	2.61 (66.3)	1.36 (34.6)	2.99 (76)

CA06COM-E

with threaded coupling

CA06COM-E is a straight plug with endbell and cable clamp. It mates with receptacles CA00COM, CA01COM and CA02COM-E.



Part No. Pin Insert*	A max.	B Thread	C ¹⁾ max.	D max.
CA06COM-E10SL-**-P*	0.95 (24.1)	5/8-24UNEF-2B	0.31 (7,9)	2.09 (53)
CA06COM-E12S-**-P*	1.02 (25.8)	3/4-20UNEF-2B	0.31 (7,9)	2.09 (53)
CA06COM-E14S-**-P*	1.13 (28.8)	7/8-20UNEF-2B	0.44 (11.1)	2.17 (55)
CA06COM-E16S-**-P*	1.25 (31.8)	1-20UNEF-2B	0.56 (14.2)	2.20 (56)
CA06COM-E16-**-P*	1.25 (31.8)	1-20UNEF-2B	0.56 (14.2)	2.60 (66)
CA06COM-E18-**-P*	1.34 (34.1)	1-1/8-18UNEF-2B	0.62 (15.8)	2.68 (68)
CA06COM-E20-**-P*	1.47 (37.4)	1-1/4-18UNEF-2B	0.75 (19.0)	2.68 (68)
CA06COM-E22-**-P*	1.59 (40.5)	1-3/8-18UNEF-2B	0.75 (19.0)	2.68 (68)
CA06COM-E24-**-P*	1.72 (43.8)	1-1/2-18UNEF-2B	0.93 (23.7)	2.99 (76)
CA06COM-E28-**-P*	1.98 (50.2)	1-3/4-18UNS-2B	0.93 (23.7)	2.99 (76)
CA06COM-E32-**-P*	2.22 (56.4)	2-18UNS-2B	1.25 (31.8)	2.99 (76)
CA06COM-E36-**-P*	2.47 (62.8)	2-1/4-16UN-2B	1.36 (34.6)	2.99 (76)

* For socket inserts substitute "S" for "P"

** Add contact arrangement number (see pages A-135 and A-136)

¹ Max Cable Diameter



Dimensions shown in inches (mm)
Specifications and dimensions subject to change

www.ittcannon.com

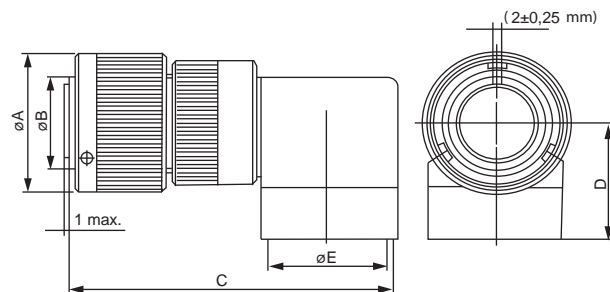
90° Plug, Class PG



Circular

CA08COM-PG-B
with bayonet coupling

CA08COM-PG-B designates a 90° plug for usage of PG terminations. It mates with receptacles CA01COM-B and CA02COM-B.

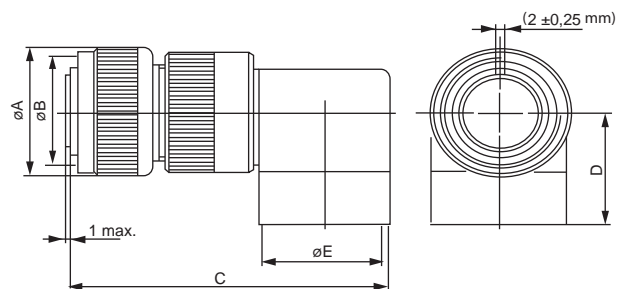


Part No. Pin Insert*	A max.	B -0,3	C max	D	E
CA08COM-E10SL-**-P*-B	0.90 (22.8)	0.44 (11.3)	2.24 (57)	0.73 (18.5)	PG9
CA08COM-E12S-**-P*-B	1.02 (26.0)	0.55 (14.0)	2.24 (57)	0.73 (18.5)	PG9
CA08COM-E14S-**-P*-B	1.15 (29.2)	0.67 (17.1)	2.32 (59)	0.77 (19.5)	PG11
CA08COM-E16S-**-P*-B	1.26 (32.0)	0.80 (20.4)	2.48 (63)	0.87 (22.0)	PG13,5
CA08COM-E16-**-P*-B	1.26 (32.0)	0.80 (20.4)	2.83 (72)	0.87 (22.0)	PG13,5
CA08COM-E18-**-P*-B	1.44 (36.5)	0.93 (23.6)	3.03 (77)	1.04 (26.3)	PG16
CA08COM-E20-**-P*-B	1.57 (39.9)	1.05 (26.7)	3.23 (82)	1.14 (29.0)	PG21
CA08COM-E22-**-P*-B	1.70 (43.1)	1.17 (29.8)	3.23 (82)	1.16 (29.5)	PG21

Metric thread option not available.

CA08COM-PG
with threaded coupling

CA08COM-PG designates a 90° plug for usage of PG terminations. It mates with receptacles CA01COM and CA02COM.



Part No. Pin Insert*	A max.	B Thread	C max.	D	E
CA08COM-E10SL-**-P*	0.95 (24.1)	5/8-24UNEF-2B	2.24 (57)	0.73 (18.5)	PG9
CA08COM-E12S-**-P*	1.02 (25.8)	3/4-20UNEF-2B	2.24 (57)	0.73 (18.5)	PG9
CA08COM-E14S-**-P*	1.13 (28.8)	7/8-20UNEF-2B	2.32 (59)	0.77 (19.5)	PG11
CA08COM-E16S-**-P*	1.25 (31.8)	1-20UNEF-2B	2.48 (63)	0.87 (22.0)	PG13,5
CA08COM-E16-**-P*	1.25 (31.8)	1-20UNEF-2B	2.83 (72)	0.87 (22.0)	PG13,5
CA08COM-E18-**-P*	1.34 (34.1)	1-1/8-20UNEF-2B	3.03 (77)	1.04 (26.3)	PG16
CA08COM-E20-**-P*	1.47 (37.4)	1-1/4-20UNEF-2B	3.23 (82)	1.14 (29.0)	PG21
CA08COM-E22-**-P*	1.59 (40.5)	1-3/8-20UNEF-2B	3.23 (82)	1.16 (29.5)	PG21

* For socket inserts substitute "S" for "P"

** Add contact arrangement number (see pages A-135 and A-136)

Metric thread option not available.

Dimensions shown in inches (mm)
Specifications and dimensions subject to change

www.ittcannon.com



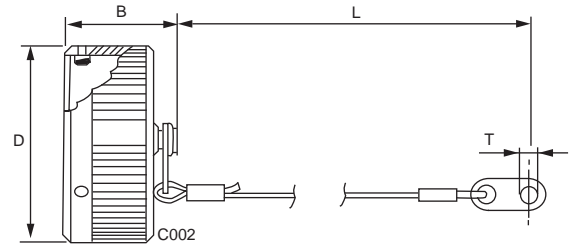
CA-COM



Circular

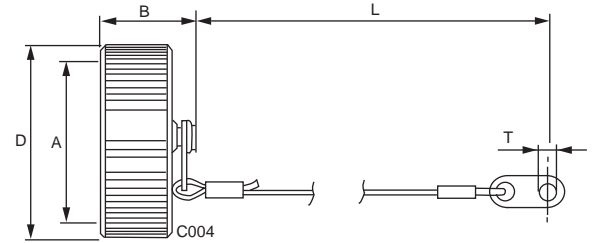
Accessories

Protective caps
for receptacles with bayonet coupling
CA00COM-B, CA02COM-E-B and CA20COM-E-B



Part No.	Shell size	B ±0,3	D max	L ±0,25	T +0,25
CA121003-1701	10 SL	(19.5)	(22.4)	(107)	(4.3)
CA121003-1702	12S	(19.5)	(25.6)	(107)	(4.3)
CA121003-1703	14S	(19.5)	(28.8)	(107)	(4.3)
CA121003-1704	16S	(19.5)	(31.6)	(107)	(4.3)
CA121003-1705	16	(24.5)	(31.6)	(120)	(4.3)
CA121003-1706	18	(24.5)	(35.7)	(120)	(4.3)
CA121003-1707	20	(24.5)	(39.1)	(134)	(4.3)
CA121003-1708	22	(24.5)	(42.3)	(134)	(4.3)
CA121003-1709	24	(24.5)	(45.8)	(134)	(4.3)
CA121003-1710	28	(24.5)	(51.6)	(176)	(5.5)
CA121003-1711	32	(24.5)	(58.3)	(176)	(5.5)
CA121003-1712	36	(24.5)	(64.5)	(176)	(5.5)

Protective caps
for receptacles with threaded coupling
CA00COM, CA02COM-E and CA20COM



Part No.	Shell size	A Thread	B max	D max.	L max.	T +0,2
CA121003-1601	10 SL	5/8-24UNEF-2B	0.63 (16,0)	0.80 (20.2)	4.49 (114)	0.14 (3.6)
CA121003-1602	12S	3/4-20UNEF-2B	0.63 (16,0)	0.92 (23,4)	5.00 (127)	0.14 (3.6)
CA121003-1603	14S	7/8-20UNEF-2B	0.63 (16,0)	1.05 (26.6)	5.00 (127)	0.14 (3.6)
CA121003-1604	16S, 16	1-20UNEF-2B	0.63 (16,0)	1.17 (29.8)	5.00 (127)	0.14 (3.6)
CA121003-1606	18	1-1/8-18UNEF-2B	0.63 (16,0)	1.30 (32.9)	5.00 (127)	0.14 (3.6)
CA121003-1607	20	1-1/4-18UNEF-2B	0.63 (16,0)	1.42 (36.1)	5.55 (141)	0.14 (3.6)
CA121003-1608	22	1-3/8-18UNEF-2B	0.63 (16,0)	1.55 (39.4)	5.55 (141)	0.14 (3.6)
CA121003-1609	24	1-1/2-18UNEF-2B	0.63 (16,0)	1.68 (42.6)	6.06 (154)	0.17 (4.4)
CA121003-1610	28	1-3/4-18UNEF-2B	0.71 (18,0)	1.93 (48.9)	8.83 (214)	0.17 (4.4)
CA121003-1611	32	2-18UNS-2B	0.71 (18,0)	2.18 (55.3)	8.83 (214)	0.19 (4.8)
CA121003-1612	36	2-1/4-16UN-2B	0.71 (18,0)	2.43 (61.6)	8.83 (214)	0.19 (4.8)



Dimensions shown in inches (mm)
Specifications and dimensions subject to change

www.ittcannon.com

X-ON Electronics

Largest Supplier of Electrical and Electronic Components

Click to view similar products for [Circular MIL Spec Connector](#) category:

Click to view products by [ITT](#) manufacturer:

Other Similar products are found below :

[89075GULPR](#) [0025-264-3014](#) [58-570121-04S](#) [58-584653-12P](#) [0134-213-1007](#) [0134-213-1208](#) [0134-213-2209](#) [0025-258-000](#) [60-042022-02P](#) [60-042022-19P](#) [60-042022-23P](#) [012-0467-000](#) [602GB06EG24-61SN](#) [0134-201-1207](#) [0134-207-2009](#) [0134-213-1006](#) [6104-207-2302](#) [6104-208-1902](#) [6131-202-19149P](#) [6131-204-21149P](#) [6131-207-13149P](#) [6131-208-13149P](#) [6131-209-17149P](#) [6131-210-11149P](#) [6131-211-19149P](#) [6131-216-19149P](#) [6131-220-25149P](#) [6131-259-11149P](#) [6131-259-21149P](#) [6131-259-23149P](#) [6131-263-19149P](#) [6131-265-17149P](#) [6131-265-19149P](#) [6134-203-21149](#) [CS3100A18-1P-472](#) [CS3100A-36-77S](#) [CS3101A36-79S-SR](#) [CS3102A-10SL-53P](#) [CS3102A10SL-64S](#) [CS3102A-20-15S](#) [CS3102A-22-70S](#) [CS3102A-24-79S](#) [CS3102A24-AJS](#) [CS3102A-32-17P](#) [CS3102A32-25S](#) [CS3106A10SL3S004](#) [CS3106A-18-73S](#) [CS3106A-28-20P](#) [CS3106A-32-82S](#) [CS3106A36-79P-SR](#)