



ITT

Interconnect Solutions
Canon, VEAM, BIW

Defining **innovative**
aviation, military, and
industrial circulars since the DC-1,
over **70 years** ago



Engineered for life

Cannon VG/CA-Bayonet



Introduction

Cannon CA-Bayonet series was designed in accordance with the VG95234 specification. This versatile and highly reliable connector series is an improvement on the well established MIL-C-5015 series. CA-Bayonet has a proven "reverse bayonet" coupling design that offers exceptional vibration protection, by a simple 120° turn.

Circular

Initially designed for aircraft and airborne applications, these rugged connectors are used in the electrical equipment of various off-road vehicles, construction machinery, industrial devices, railroad and military wheelers.

Connectors in accordance with VG95234 are interchangeable with the corresponding MIL-C-5015 connectors. Both connector lines feature the same shell dimensions and contacts layouts. However, due to the different coupling systems (MIL-C-5015 threaded coupling, VG95234 bayonet coupling) they are not interchangeable.

Advantages

- rugged shell design
- environmental
- bayonet coupling for easy mating and unmating
- vibration proof
- waterproof up to 1 bar (35 feet of water)

Cannon has the complete VG95234 program available and, in addition, many other types which exceed the requirements of VG95234 and MIL-C-5015.

Attention:

Metal shell connectors which may be touched are not suitable for mains power.

Restrictions:

- * European Community "Old Car" directive (2000/53/EG)
- * European Community Waste Electrical and Electronic Equipment (WEEE) 2000/0158
- * European Community restrictions of use of certain hazardous substances in WEEE (ROS) (2000/0159)

Connector Design

Due to the rugged shell made of an aluminium alloy, these connectors withstand most severe conditions. Olive drab chromate coating over cadmium plating protects the surface of the shell.

Cannon offers two plating solutions to customers refusing cadmium plating. Zinc cobalt green offers similar properties like cadmium plating while zinc cobalt black is RoHS compliant.

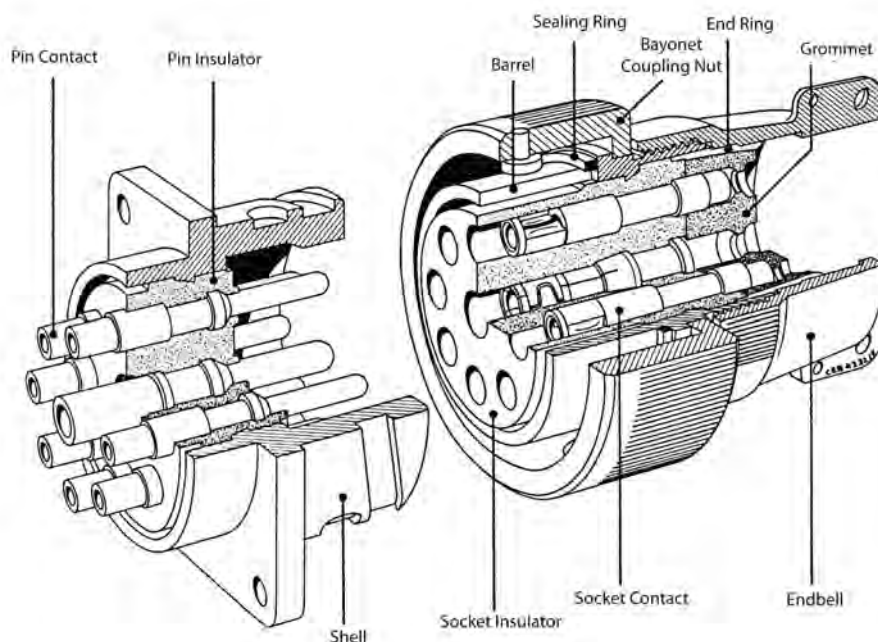
Over 180 contact arrangements are available for 1 to 65 circuits and up to 245 A per unit.

The insulators are made of high quality polychloroprene and withstand temperatures from -67°/+257°F (-55/125°C). This material is self-extinguishing, resistant against hydraulic fluids, jet fuel, diesel fuel, gasolines, lubricants, brake and fire extinguisher fluids (short wetting only). In case of lifetime moistening ITT Cannon offers FKM insulators as an alternative.

The contacts are made of copper alloy plated with a hard silver finish guarantee at least 500 mating cycles. There are solder, crimp and PCB contacts in place. The crimp contacts offer a comprehensive range of termination reductions. All solder contacts feature a special passivation to comply with ROHS requirements. The crimp contacts allow highly reliable crimping with wires when using the recommended tools according to VG95234. Crimp contacts can be exchanged at least five times still preserving specified contact retention.

The coupling unit is featured by the Cannon roller bolts made of stainless steel actually rolling down the mating ramps, thus reducing coupling force by the operator. In addition, the Cannon design employs two coupling nut versions for different application cases, with and without wavespring and washer. The version without wavespring guarantees perfect sealing while the other version stands up to high vibration levels. The bayonet design allows fast and easy coupling and uncoupling. An audible control by metallic sound and visual control by colour-marked snap-in position offer additional coupling security.

VG connectors are basically designed for single wire harnessing. For full environmental sealing each conductor is sealed completely within the grommet. However, Cannon offers as an alternative O-ring sealed PG and metric gland adaptors for faster harnessing standing up to the same sealing level than the VG types.



Dimensions shown in inches (mm)
Specifications and dimensions subject to change

www.ittcannon.com

Cannon VG/CA-Bayonet

Electrical Data



A

Circular

Contact rating at 68 °F (+20 °C)

Contact size	max. current A
10	8
16S/15S	22
16/15	22
12/25	41
8/60/100	74
4/160	135
0/500	245

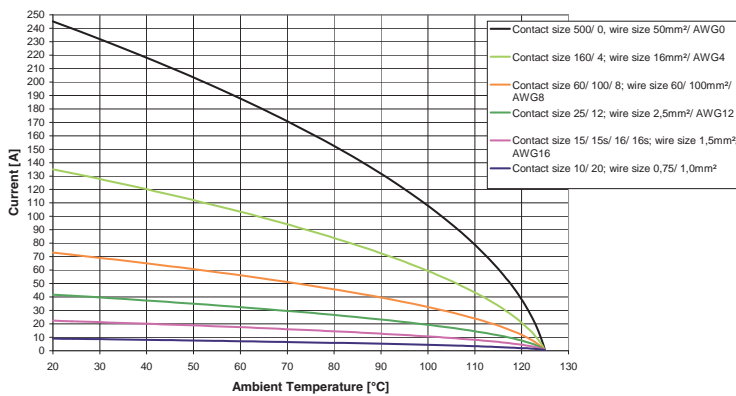
Contact resistance (Millivolt test)

The contact resistance has to be tested according to VG95234 part 2, test no. 5.10.1 and VG 95210, part 37. The measuring points are indicated in the illustration.

--Contact size		Max. contact resistance mΩ
metric	AWG	
10	–	12
15S/15	16S/16	6
25	12	3
60/100	8	1
160	4	0,5
500	0	0,2

Current rating depending on ambient temperature

Derating Curves according to VG 95234



Insulation resistance

Acc. to VG95319, part 2, test no. 5.12 and VG95210, part 32, test condition B

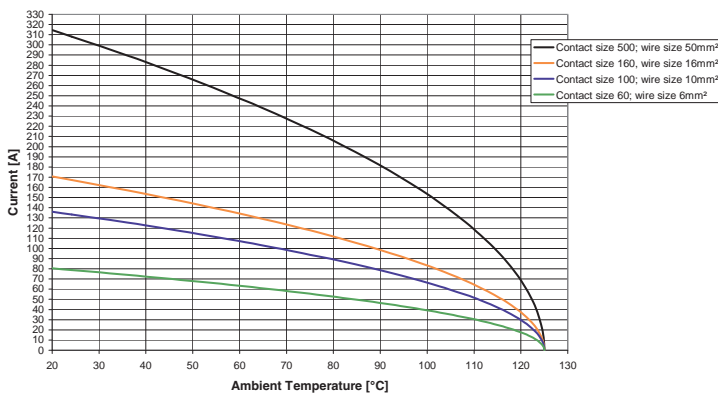
Standard insulator material > 1000 MΩ
FKM insulator material (upon request) > 5000 MΩ

Test voltage

Acc. to VG95319, part 2, test no. 5.13 and VG 95210, part 31
Test voltage for service rating:

Service rating	Test voltage V _{rms}
Instruments	1050
A	1600
B	4000
D	2500
E	3000

Derating Curves ITT-Cannon



Air and creepage paths (min.)

Voltage class	Instr.	A	D	E
Air and creepage paths mm	0,7	1,1	2,8	4,8

Operating voltage and connector usage

Connectors in equipments must not be separated or mated under load when used per specifications.

As according to specification the connectors are suitable for an operating voltage of 50 V (see Product Safety Information). However, this is only valid, when the connectors are freely accessible during operation and consequently might be touchable. When the connectors will be operated with line voltage, please contact ITT Customer Service for an alternative connector solution.

Dimensions shown in inches (mm)
Specifications and dimensions subject to change

www.ittcannon.com



Cannon VG/CA-Bayonet



Mechanical Features

A
Circular

Ambient temperature

Standard insulator material
-55°/125°C (-67/257°F)

FKM insulator material*
-30°/200°C (-22/392°F)

Safety provisions**

IP 67 acc. to DIN 40 050
(1 bar pressure after 16 hrs.)

Vibration test

200 m/s² at 10 to 2000 Hz

Mating cycles

500 min.

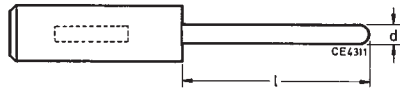
Withdrawal force per contact.

The corresponding withdrawal force has to be measured according to VG95319, part 2, test no. 5.7. and DIN EN60512-16-5 using the required test gage.

Contact size metric	AWG	Separating force min. N	Gage
10	-	0,3	G 0,99
15S/15	16S/16	1,0	G 1,56
25	12	1,5	G 2,36
60/100	8	3,0	G 3,58
160	4	4,0	G 5,69
500	0	8,5	G 9,04

Gage

(see also VG 95234, Part 1)



Gage	Contact diameter d +0,01	L -1
G 0,99	0,99	7
G 1,56	1,56	9
G 2,36	2,36	12
G 3,58	3,58	13
G 5,69	5,69	13
G 9,04	9,04	13

Coupling torque

The allowable coupling torques have to be tested under full bundle conditions of the connectors to VG95319, part 2, test no. 5.8.2.

Shell size	Allowable coupling torque closing and opening Nm max.	Opening Nm min.
10SL	1,7	0,15
12S	2,5	0,23
14S	3,6	0,35
16S/16	5,5	0,46
18	8	0,58
20	9	0,7
22	11	0,8
24	14	0,8
28	17	0,92
32	19	1,03
36	23	1,03

Contact retention

The contact retention has to be tested according to VG95319, part 2, test no. 5.4. Test force direction = Mating direction.

Contact size	AWG	Test force N
10	-	30
15S/15	16S/16	35
25	12	55
60/100	8	80
160	4	90
500	0	95

Materials

Shell	Aluminum alloy
Standard finish	Olive drab chromate coating over cadmium plating
Alternative finish	Zinc cobalt (see page A-134 Modification)
Insulator and grommets	Polychloroprene (Standard) FKM (High temperature and aggressive oils)*
Contacts	Copper alloy
Standard finish	Hard silver
Special finish	A176 nickel and hard gold plating

* upon request

** **Longitudinal sealing:** The connector is not sealed against fluids entering through the cable, as the sealing lips of the single wire sealing are pressing against the jacket of the individual conductors.



Dimensions shown in inches (mm)
Specifications and dimensions subject to change

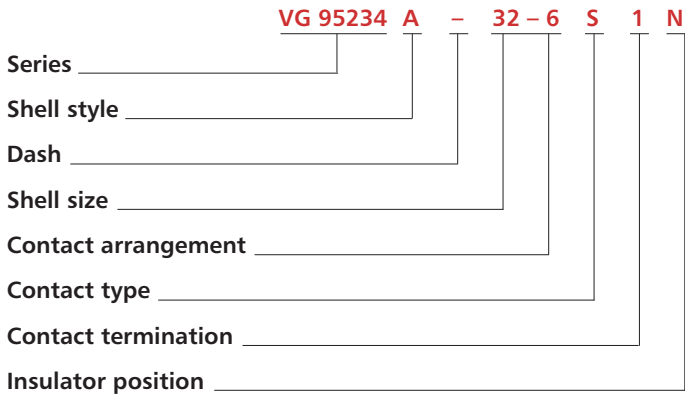
www.ittcannon.com

Cannon VG/CA-Bayonet

How to order



VG Order reference



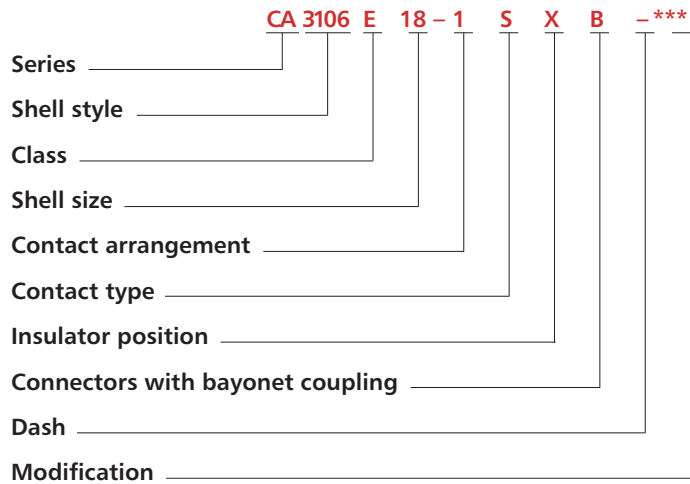
Explanation

- Series** VG 95234
- Shell style** N1, N2 – wall mounting receptacle
A, B1, B2 – box mounting receptacle
D, G, H, M – straight plug
- Shell size** 10SL, 14S, 16S, 16, 18, 20, 22, 24, 28, 32 and 36
- Contact arrangement** see pages A-135 and A-136
- Contact type** P – Pin contact
S – Socket contact
- Contact termination** without identification – contacts for metric wire sizes
identification 1* – contact for AWG wire sizes
- Insulator position** See CA-Bayonet Catalog

Accessories acc. to VG

- Dummy receptacles VG95234 BOD
Gaskets, front mount VG95234 DA
Gaskets, rear mount VG95234 DH
Protecting caps VG95234 KR
Protecting caps VG95234 KB
Cabel caps VG95234 KK
Bushing VG95234 KT

Cannon Order reference



Explanation

- Series** CA – Circular connectors with bayonet coupling
- Shell style** 3100 – Wall mounting receptacle
3101 – Cable connecting plug
3102 – Box mounting receptacle
3105 – Dummy receptacle for front and panel mounting
3106 – Plug, straight
3108 – Plug, 90°
TBF – Bulkhead receptacle
- Class** E – environmental with resilient insulators and endbell with clamp and bushing
F – environmental with resilient insulator and endbell for flex tube
R – environmental with resilient insulator and shortened light-weight endbell without cable clamp
- Shell size** 10SL, 12S, 14S, 16S, 16, 18, 20, 22, 24, 28, 32 and 36
- Contact arrangement** See 5015 section plus full CA-B catalog
- Contact type** P – Pin
S – Socket
PS – one side pin, one side socket (only for TBF)
- Insulator position** Besides the normal position further insulator positions are possible for Cannon connectors (see CA-Bayonet Catalog) to prevent mismatching. Polarization is achieved by turning the pin contact insulator clockwise towards the shell, the socket insulator, however, in opposite clockwise direction. This information refers to the mating side of the contact insulator.
- Modification** see next page A-134

A

Circular

Dimensions shown in inches (mm)
Specifications and dimensions subject to change



Cannon VG/CA-Bayonet



A

Circular

Modification	01	– metric crimp contacts
(only for CA.....-B)	02	– adapter for heat shrink boots AWG crimp contacts
	03	– adapter for heat shrink boots, metric contacts
	04	– rear mount, thread in flange, metric crimp contacts (CA3102)
	05	– rear mount, through holes in flange, (CA3100, CA 3102, CA 20, TBF)
	06	– shrink boot adapter, thread holes in flange, solder pot contacts
	08	– angular endbell, through holes in flange (for CA3100 only)
	09	– angular endbell, through holes in flange (for CA3100 only)
	13	– shielded version, solder contacts
	14	– shielded version, metric crimp con- tacts
	15	– shielded version, AWG crimp contacts
	41	– shielded version, heat shrink boot adapter
	109	– rear mount, F80 contacts, threaded holes (CA3102 only)
	111	– rear mount, solder pot contacts, threaded holes, (CA3102 only)
	A176	– gold plated contacts
	A232	– Zinc cobalt black
	A233	– Zinc cobalt green
	F0	– less contacts, contacts to be ordered separately see pages A-146, A147
	F42	– less grommet and backshell
	F80	– AWG crimp contacts

With Spring Washer and Friction Ring

These connectors feature a spring washer and a friction ring under the coupling nut.

Advantage	Vibrations are being compensated
Ordering example	according performance class insert „W“ after Class E, F or R
CA06EW	– connector with spring washer, endbell with cable and bushing
CA06FW	– connector with spring washer, endbell for flex tube
CA06RW	– connector with spring washer and short endbell
CA08EW/FW	– connector with spring washer and 90° endbell

The connectors acc. to **VG95234** are generally delivered **with spring washer**.

Other Shell Styles (see full CA-B catalog)

CA3100E-B-02/03/06	– adapter for heat shrink boot
CA3100F-B-08/09	– 90° endbell for flex tube
CA3100E-B-08/09	– 90° endbell, cable clamp and bushing
CA06PG-B	– adapter for PG glands
CA06ME-B	– adapter for metric glands
CA3101F-B-08/09	– 90° endbell flex tube
CA02L-B	– receptacle with pcb solder contacts
CA20L-B	– rear mount receptacle with pcb solder contacts
CA07A-B	– jam nut receptacle

Important!

When connectors are requested according to VG 95234 modification, e. g. with another finish, with other contact arrangements and solder contacts, they are to be ordered only with the ITT Cannon order reference.

Connectors acc. to VG95234 are generally available with insert positions X and Y only.

VG order reference with modification is not possible (except F0-less contacts).

Cannon VG/CA-Bayonet

Contact Arrangements



A

Circular

Contact arrangement	No. of contacts	Contact size					
		0 500	4 160	8 100 60	12 25	16 15	20 10
12S4	1					1	
14S4	1					1	
16-12	1		1				
18-6	1		1				
18-7	1			1			
20-2	1	1					
22-7	1	1					
10SL4	2					2	
14S9	2					2	
16S4	2					2	
16-11	2				2		
16A11	2				2		
18-3	2				2		
20-23	2			2			
22-1	2			2			
22-8	2				2		
24-9	2		2				
32-5	2	2					
10SL3	3					3	
14S1	3					3	
14S7	3					3	
16S5	3					3	
16-7	3			1		2	
16-10	3				3		
18-5	3				2	1	
18-21	3				3		
18-22	3					3	
20-6	3					3	
20-19	3			3			
22-2	3			3			
22-9	3			3			
22-21	3	1				2	
12SA10	4					4	
14S2	4					4	
16-9	4				2	2	
18-4	4					4	
18-10	4				4		
18-13	4			1	3		
20-4	4				4		
20-24	4			2		2	
22-4	4			2	2		
22-10	4					4	
22-22	4			4			
22B22	4			4			
24-4	4	1				3	
24-22	4			4			
32-17	4		4				
36-5	4	4					

Contact arrangement	No. of contacts	Contact size					
		0 500	4 160	8 100 60	12 25	16 15	20 10
14S5	5					5	
16S8	5					5	
18-11	5				5		
18-20	5					5	
22-12	5			2		3	
24-12	5		2		3		
28-5	5		2		1	2	
32-1	5	2			3		
14S6	6					6	
18-12	6					6	
20-8	6			2		4	
20-22	6			3		3	
22-5	6				2	4	
22-15	6				5	1	
28-22	6		3			3	
36-3	6	3			3		
36-6	6	2	4				
14SA7	7					7	
16S1	7					7	
18-9	7				2	5	
18-17	7				2	5	
20-15	7					7	
22-28	7					7	
24-2	7					7	
24-10	7			7			
24-27	7					7	
28-10	7		2	2	3		
18-8	8				1	7	
20-7	8					8	
22-23	8				8		
32-15	8	2			6		
36A35	8	4				4	
20-16	9				2	7	
20-18	9				3	6	
20A9	9				9		
22-16	9				3	6	
22-20	9					9	
22-27	9			1		8	
24-11	9			3	6		
28A16	9		4			5	
18-1	10					10	
18-19	10					10	
28-19	10				4	6	
20-33	11					11	
24-20	11				2	9	

Dimensions shown in inches (mm)
Specifications and dimensions subject to change

www.ittcannon.com



Cannon VG/CA-Bayonet



Contact Arrangements

A

Circular

Contact arrangement	No. of contacts	Contact size					
		0 500	4 160	8 100 60	12 25	16 15	20 10
24-19	12						12
24A24	12						12
28-9	12				6	6	
28-51	12						12
20-11	13						13
20-27	14						14
22-19	14						14
28-2	14				2	12	
28-20	14				10	4	
32-9	14	2					12
24-5	16						16
24-7	16				2	14	
36-14	16			5	5	6	
20-29	17						17
20A48	19						19
22-14	19						19
28-16	20						20
28-11	22				4	18	
32-6	23	2	3	2		16	
32-13	23				5	18	
24-28	24						24
28-12	26						26
36A46	27					27	
24A28	28						28
28A63	28				9	19	
32-8	30				6	24	
36-9	31	1	2	14	14		
28-15	35						35
32-7	35				7	28	
36-15	35						35
28-21	37						37
36A98	39			8		31	

Contact arrangement	No. of contacts	Contact size					
		0 500	4 160	8 100 60	12 25	16 15	20 10
28A51	43						43
32A47	47						47
36-7	47				7	40	
36-8	47				1	46	
36-10	48						48
36A34	52						52
32A10	54						54
32A55	55						55
32A69	61					20	41
36A99	65					15	50

Most layout illustrations are shown in the MIL-C-5015 section on pages A-85 to A-88 or in the full CA-B catalog.



Dimensions shown in inches (mm)
Specifications and dimensions subject to change

www.ittcannon.com

Cannon VG/CA-Bayonet

Box Mounting Receptacle

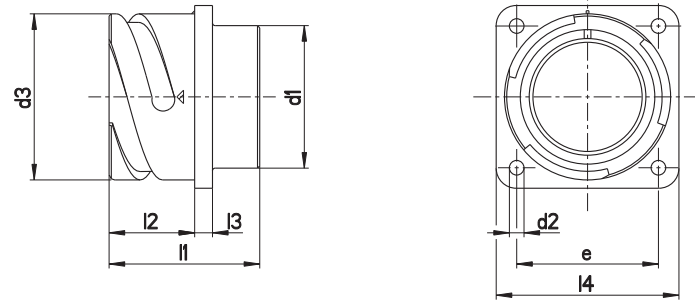


A

Circular

VG 95234 – Style A
CA 3102E-B and Modifications, see page A-134

Receptacle for front panel mounting with square flange.
 Threaded holes in flange not possible.

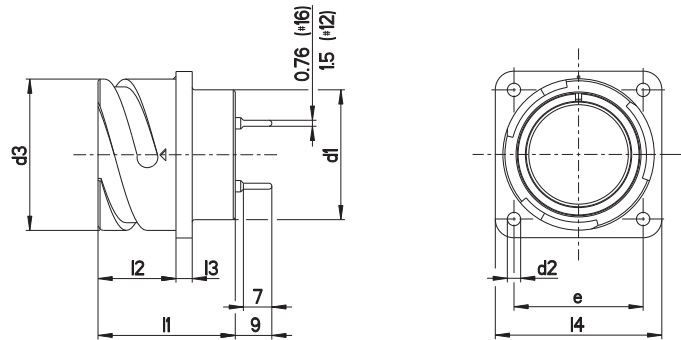


VG95234 Part no.	Cannon Part no.	d ₁ max.	d ₂ H13	d ₃ -0,15	e ±0,1	l ₁ ±0,3	l ₂ +0,4	l ₃ ±0,2	l ₄ ±0,3	Weight ¹⁾ g max.
VG95234A-10SL	CA3102E10SL-**-B	0.64 (16,2)	0.13 (3,2)	0.72 (18,2)	18,2	0.97 (24,7)	0.56 (14,2)	0.11 (2,8)	1.00 (25,4)	12
-	CA3102E12S-**-B	0.64 (16,2)	0.13 (3,2)	0.84 (21,4)	20,6	0.97 (24,7)	0.56 (14,2)	0.13 (3,2)	1.10 (28,0)	15
VG95234A-14S	CA3102E14S-**-B	0.75 (19,2)	0.13 (3,2)	0.97 (24,6)	23,0	0.97 (24,7)	0.56 (14,2)	0.13 (3,2)	1.18 (30,0)	17
VG95234A-16S	CA3102E16S-**-B	0.88 (22,4)	0.13 (3,2)	1.03 (27,4)	24,6	0.97 (24,7)	0.56 (14,2)	0.13 (3,2)	1.28 (32,5)	19
VG95234A-16	CA3102E16-**-B	0.88 (22,4)	0.13 (3,2)	1.03 (27,4)	24,6	1.33 (33,8)	0.75 (19,0)	0.13 (3,2)	1.28 (32,5)	22
VG95234A-18	CA3102E18-**-B	1.01 (25,6)	0.13 (3,2)	1.21 (30,8)	27,0	1.33 (33,8)	0.75 (19,0)	0.16 (4,0)	1.38 (35,0)	28
VG95234A-20	CA3102E20-**-B	1.14 (29,0)	0.13 (3,2)	1.35 (34,2)	29,4	1.33 (33,8)	0.75 (19,0)	0.16 (4,0)	1.50 (38,0)	33
VG95234A-22	CA3102E22-**-B	1.27 (32,2)	0.13 (3,2)	1.47 (37,4)	31,8	1.33 (33,8)	0.75 (19,0)	0.16 (4,0)	1.61 (41,0)	38
VG95234A-24	CA3102E24-**-B	1.34 (35,3)	0.14 (3,7)	1.61 (40,9)	34,9	1.33 (33,8)	0.81 (20,6)	0.16 (4,0)	1.75 (44,5)	46
VG95234A-28	CA3102E28-**-B	1.63 (41,4)	0.14 (3,7)	1.83 (46,7)	39,7	1.33 (33,8)	0.81 (20,6)	0.16 (4,0)	2.00 (50,8)	52
VG95234A-32	CA3102E32-**-B	1.88 (47,8)	0.17 (4,3)	2.10 (53,4)	44,5	1.33 (33,8)	0.87 (22,2)	0.16 (4,0)	2.24 (57,0)	64
VG95234A-36	CA3102E36-**-B	2.07 (52,6)	0.17 (4,3)	2.35 (59,6)	49,2	1.33 (33,8)	0.87 (22,2)	0.16 (4,0)	2.50 (63,5)	80

¹⁾ Weight without insulator

CA02L-B designates a receptacle for front panel mounting with solder pin contacts to solder into printed circuits. All pattern drawings upon request. For all other dimensions see above table.

For contact arrangements with #16S and #16 contacts only.



Dimensions shown in inches (mm)
 Specifications and dimensions subject to change

www.ittcannon.com



Cannon VG/CA-Bayonet

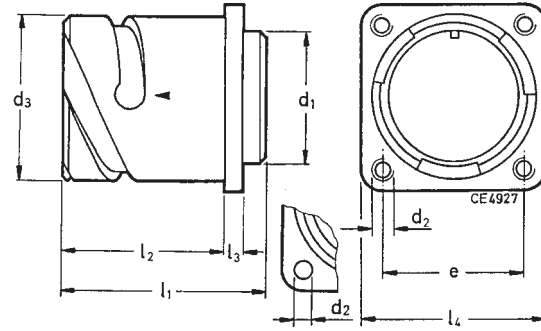
Box Mounting Receptacle



A

Circular

- VG95234 Style B1** (with threaded holes in flange)
- CA3102-B** and Modifications, e.g. -04, -109 or -111; 05
- CA3102-B** designates a receptacle with square flange for rear panel mounting.
- VG95234 Style B2** (with through holes in flange)
- CA3102E-B** and Modifications, see page A-134



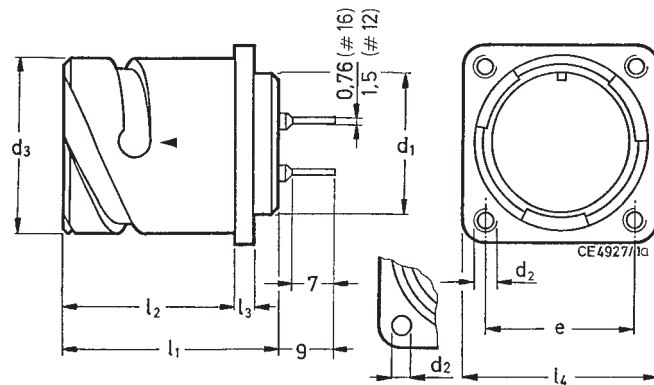
Style B2

VG95234 Part no.	Cannon Part no.	d ₁ max.	d ₂ B1 B2 H13		d ₃ -0,15	e ±0,1	l ₁ ±0,3	l ₂ +0,4	l ₃ ±0,2	l ₄ ±0,3	Weight ¹⁾ g max.
VG95234XX-10SL-*	CA3102E10SL-*B-***	0.64 (16,2)	M4	0.13 (3,2)	0.72 (18,2)	18,2	0.97 (24,7)	0.72 (18,2)	0.11 (2,8)	1.00 (25,4)	14
-	CA3102E12S-*B-***	0.64 (16,2)	M4	0.13 (3,2)	0.84 (21,4)	20,6	0.97 (24,7)	0.72 (18,2)	0.13 (3,2)	1.10 (28,0)	18
VG95234XX-14S-*	CA3102E14S-*B-***	0.75 (19,2)	M4	0.13 (3,2)	0.97(24,6)	23,0	0.97 (24,7)	0.72 (18,2)	0.13 (3,2)	1.18 (30,0)	21
CG95234XX-16S-*	CA3102E16S-*B-***	0.88 (22,4)	M4	0.13 (3,2)	1.08 (27,4)	24,6	0.97 (24,7)	0.72 (18,2)	0.13 (3,2)	1.28 (32,5)	22
VG95234XX-16-*	CA3102E16-*B-***	0.88 (22,4)	M4	0.13 (3,2)	1.08 (27,4)	24,6	1.33 (33,8)	0.85 (21,5)	0.13 (3,2)	1.28 (32,5)	27
VG95234XX-18-*	CA3102E18-*B-***	1.01 (25,6)	M4	0.13 (3,2)	1.21 (30,8)	27,0	1.33 (33,8)	0.91 (23,05)	0.16 (4,0)	1.38 (35,0)	33
VG95234XX-20-*	CA3102E20-*B-***	1.14 (29,0)	M4	0.13 (3,2)	1.35 (34,2)	29,4	1.33 (33,8)	0.91 (23,05)	0.16 (4,0)	1.50 (38,0)	37
VG95234XX-22-*	CA3102E22-*B-***	1.27 (32,2)	M4	0.13 (3,2)	1.47 (37,4)	31,8	1.33 (33,8)	0.91 (23,05)	0.16 (4,0)	1.61 (41,0)	42
VG95234XX-24-*	CA3102E24-*B-***	1.34 (35,3)	M4	0.14 (3,7)	1.61 (40,9)	34,9	1.33 (33,8)	0.91 (23,05)	0.16 (4,0)	1.75 (44,5)	48
VG95234XX-28-*	CA3102E28-*B-***	1.63 (41,4)	M5	0.14 (3,7)	1.83 (46,7)	39,7	1.33 (33,8)	0.95 (24,05)	0.16 (4,0)	2.00 (50,8)	58
VG95234XX-32-*	CA3102E32-*B-***	1.88 (47,8)	M5	0.17 (4,3)	2.10 (53,4)	44,5	1.33 (33,8)	0.95 (24,05)	0.16 (4,0)	2.24 (57,0)	72
VG95234XX-36-*	CA3102E36-*B-***	2.07 (54,1)	M5	0.17 (4,3)	2.35 (59,6)	49,2	1.33 (33,8)	0.95 (24,05)	0.16 (4,0)	2.50 (63,5)	84

1) Weight without insulator

CA20L-B designates a receptacle for rear panel mounting with solder pin contacts to solder into printed circuits. All pattern drawings upon request. For all other dimensions see above table.

For contact arrangements with #16S and #16 contacts only.



Mod. -05



Dimensions shown in inches (mm)
Specifications and dimensions subject to change

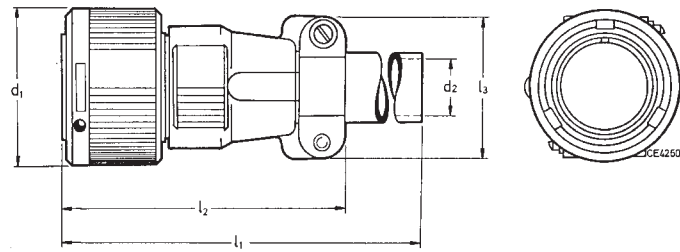
www.ittcannon.com

Cannon VG/CA-Bayonet

Straight Plug

CA3106E-B designates a straight plug with endbell, cable clamp and telescoping bushing

VG 95234 Style D resp. **CA3106E-B** and Modifications, see page A-134



Circular

VG95234 Part no.	Cannon Part no.	d ₁ max.	d ₂ ²⁾ max.	l ₁ max.	l ₂ max.	l ₃ max.	Weight ¹⁾ g max.
VG95234D-10SL-*	CA3106E10SL-**B-***	0.90 (22,8)	0.26 (6,5)	4.53 (115)	2.16 (55)	0.89 (22,7)	30
	CA3106E12S-**B-***	1.02 (26,0)	0.26 (6,5)	4.53 (115)	2.16 (55)	0.89 (22,7)	37
VG95234D-14S-*	CA3106E14S-**B-***	1.15 (29,2)	0.350(9,0)	4.53 (115)	2.36 (60)	1.08 (27,5)	44
VG95234D-16S-*	CA3106E16S-**B-***	1.26 (32,0)	0.43 (11,0)	4.53 (115)	2.36 (60)	1.18 (30,0)	54
VG95234D-16-*	CA3106E16-**B-***	1.26 (32,0)	0.43 (11,0)	4.72 (120)	2.76 (70)	1.18 (30,0)	62
VG95234D-18-*	CA3106E18-**B-***	1.44 (36,5)	0.56 (14,2)	4.72 (120)	2.95 (75)	1.30 (33,0)	70
VG95234D-20-*	CA3106E20-**B-***	1.57 (39,9)	0.62 (15,8)	4.72 (120)	2.95 (75)	1.48 (37,5)	85
VG95234D-22-*	CA3106E22-**B-***	1.70 (43,1)	0.62 (15,8)	4.72 (120)	2.95 (75)	1.48 (37,5)	92
VG95234D-24-*	CA3106E24-**B-***	1.83 (46,6)	0.84 (21,4)	4.72 (120)	3.54 (90)	1.70 (43,3)	127
VG95234D-28-*	CA3106E28-**B-***	2.10 (53,4)	0.84 (21,4)	4.72 (120)	3.54 (90)	1.89 (48,0)	154
VG95234D-32-*	CA3106E32-**B-***	2.37 (60,1)	1.05 (26,7)	4.72 (120)	3.54 (90)	2.16 (55,0)	199
VG95234D-36-*	CA3106E36-**B-***	2.61 (66,3)	1.25 (31,7)	5.12 (130)	3.94 (100)	2.28 (58,0)	260

1) Weight without insulator, grommets and contacts. 2) For max. cable entry.

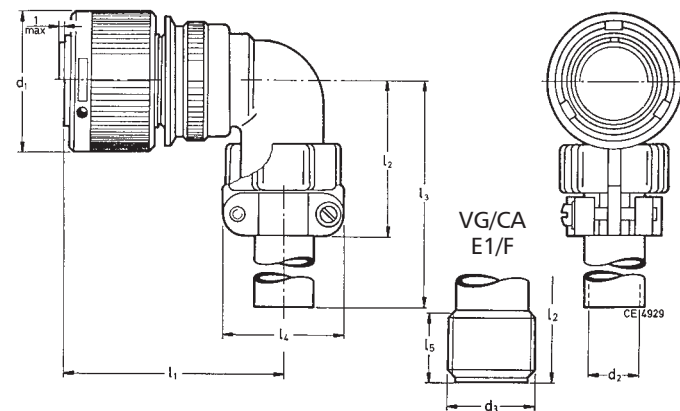
Plug 90°

VG 95234 Style E1 (with flex tube)
CA 3108 F-B and Modifications, see page A-134

CA3108E/F designates a plug 90°, which is available with cable clamp and bushing (E) or with flex tube termination (F)

VG 95234 Style E (with cable clamp and telescoping bushing)

CA 3108E-B and Modifications, see page A-134



VG 95 234 Part no.	Cannon Part no.	d ₃ -Thread Style E1 CA3108F	d ₁ max.	d ₂ ²⁾ max.	l ₁ max.	l ₂ max. E	l ₃ max. E1	E	l ₄ max.	l ₅	Weight ¹⁾ g max. E	E1
VG95234XX-10SL-*	CA3108X10SL-**B-***	5/8-24NEF-2A	0.90 (22,8)	0.25 (6,5)	1.77 (45)	1.65 (42)	1.18 (30)	3.94 (100)	0.89 (22,7)	0.37 (9,4)	37	27
-	CA3108X12S-**B-***	5/8-24NEF-2A	1.02 (26,0)	0.25 (6,5)	1.77 (45)	1.65 (42)	1.18 (30)	3.94 (100)	0.89 (22,7)	0.37 (9,4)	45	35
VG95234XX-14S-*	CA3108X14S-**B-***	3/4-20UNEF-2A	1.15 (29,2)	0.35 (9,0)	1.85 (47)	1.65 (42)	1.18 (30)	3.94 (100)	1.08 (27,5)	0.37 (9,4)	58	43
VG95234XX-16S-*	CA3108X16S-**B-***	7/8-20UNEF-2A	1.26 (32,0)	0.43 (11,0)	1.89 (48)	1.77 (45)	1.18 (30)	3.94 (100)	1.18 (30,0)	0.37 (9,4)	68	48
VG95234XX-16-*	CA3108X16-**B-***	7/8-20UNEF-2A	1.26 (32,0)	0.43 (11,0)	2.24 (57)	1.77 (45)	1.18 (30)	3.94 (100)	1.18 (30,0)	0.37 (9,4)	78	58
VG95234XX-18-*	CA3108X18-**B-***	1-20UNEF-2A	1.44 (36,5)	0.56 (14,2)	2.28 (58)	2.09 (53)	1.38 (35)	3.94 (100)	1.30 (33,0)	0.37 (9,4)	90	58
VG95234XX-20-*	CA3108X20-**B-***	1 3/16-18UNEF-2A	1.57 (39,9)	0.62 (15,8)	2.40 (61)	2.09 (53)	1.38 (35)	3.94 (100)	1.48 (37,5)	0.37 (9,4)	109	74
VG95234XX-22-*	CA3108X22-**B-***	1 3/16-18UNEF-2A	1.70 (43,1)	0.62 (15,8)	2.40 (61)	2.09 (53)	1.38 (35)	3.94 (100)	1.48 (37,5)	0.37 (9,4)	113	78
VG95234XX-24-*	CA3108X24-**B-***	1 7/16-18UNEF-2A	1.83 (46,6)	0.84 (21,4)	2.60 (66)	2.28 (58)	1.57 (40)	3.94 (100)	1.70 (43,3)	0.37 (9,4)	159	104
VG95234XX-28-*	CA3108X28-**B-***	1 7/16-18UNEF-2A	2.10 (53,4)	0.84 (21,4)	2.60 (66)	2.28 (58)	1.57 (40)	3.94 (100)	1.70 (43,3)	0.37 (9,4)	181	126
VG95234XX-32-*	CA3108X32-**B-***	1 3/4 -18UNS-2A	2.37 (60,1)	1.05 (26,7)	2.83 (72)	2.60 (66)	1.77 (45)	4.33 (110)	2.04 (51,7)	0.43 (11,0)	245	160
VG95234XX-36-*	CA3108 36-**B-***	2 -18UNS-2A	2.61 (66,3)	1.25 (31,7)	2.95 (75)	2.71 (69)	1.97 (50)	4.33 (110)	2.28 (58,0)	0.50 (12,6)	300	190

1) Weight without insulator, grommets and contacts. 2) For max. cable entry.

Dimensions shown in inches (mm)
Specifications and dimensions subject to change

www.ittcannon.com



Cannon VG/CA-Bayonet



A

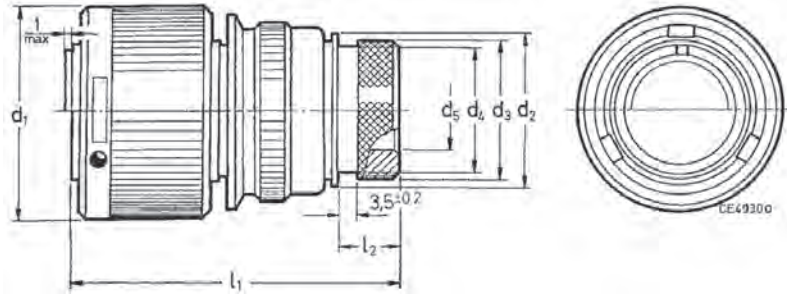
Circular

Straight Plug

VG95234 – Style G

CA3106E-B, -02, -03 or -06 designates a straight plug with adapter for heat shrinkable boots

CA3106E-B and Modifications, see page A-134



VG 95234 Part no.	Cannon Part no.	d ₁ max.	d ₂ ±0,2	d ₃ ±0,2	d ₄ max.	d ₅ min.	l ₁ max.	l ₂ ±0,5	Weight ¹⁾ g max.
VG95234G-10SL-*	CA3106E10SL-**-***	0.90 (22,8)	0.67 (17,0)	0.61 (15,5)	0.52 (13,3)	0.30 (7,7)	1.97 (50)	0.46 (11,7)	24
-	CA3106E12S-**-***	1.02 (26,0)	0.70 (17,8)	0.61 (15,5)	0.52 (13,3)	0.31 (7,9)	1.97 (50)	0.46 (11,7)	35
VG95234G-14S-*	CA3106E14S-**-***	1.15 (29,2)	0.79 (20,1)	0.75 (19,1)	0.67 (17,0)	0.42 (10,6)	1.97 (50)	0.46 (11,7)	41
VG95234G-16S-*	CA3106E16S-**-***	1.26 (32,0)	0.93 (23,5)	0.94 (23,9)	0.86 (21,9)	0.53 (13,5)	1.97 (50)	0.46 (11,7)	51
VG95234G-16-*	CA3106E16-**-***	1.26 (32,0)	0.93 (23,5)	0.94 (23,9)	0.86 (21,9)	0.53 (13,5)	2.36 (60)	0.46 (11,7)	58
VG95234G-18-*	CA3106E18-**-***	1.44 (36,5)	1.04 (26,5)	0.94 (23,9)	0.86 (21,9)	0.57 (14,6)	2.36 ((60)	0.46 (11,7)	65
VG95234G-20-*	CA3106E20-**-***	1.57 (39,9)	1.19 (30,2)	1.17 (29,6)	1.03 (26,2)	0.74 (18,7)	2.56 (65)	0.50 (12,7)	75
VG95234G-22-*	CA3106E22-**-***	1.70 (43,1)	1.32 (33,6)	1.17 (29,6)	1.03 (26,2)	0.82 (20,8)	2.56 (65)	0.50 (12,7)	80
VG95234G-24-*	CA3106E24-**-***	1.83 (46,6)	1.50 (38,1)	1.49 (37,8)	1.36 (34,5)	0.97 (24,6)	2.56 (65)	0.50 (12,7)	95
VG95234G-28-*	CA3106E28-**-***	2.10 (53,4)	1.63 (41,4)	1.49 (37,8)	1.36 (34,5)	1.06 (27,0)	2.56 (65)	0.50 (12,7)	120
VG95234G-32-*	CA3106E32-**-***	2.37 (60,1)	1.91 (48,6)	1.88 (47,8)	1.72 (43,6)	1.31 (33,3)	2.76 (70)	0.60 (15,2)	165
VG95234G-36-*	CA3106E36-**-***	2.61 (66,3)	2.16 (54,8)	1.88 (47,8)	1.72 (43,6)	1.52 (38,5)	3.15 (80)	0.60 (15,2)	180

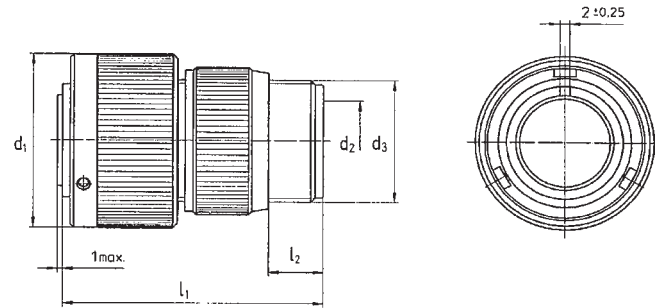
1) Weight without insulator, grommets and contacts.

Straight Plug

VG95234 Style H

CA3106-F-B designates a straight plug for flex tube

CA3106-B and Modifications, see page A-134



VG 95234 Part no.	Cannon Part no.	d ₃ -Thread	d ₁ max.	d _{2a} ²⁾	l ₁ max.	l ₂ min.	Weight ¹⁾ g max.
VG95234H-10SL-*	CA3106F10SL-**-***	5/8-24NEF-2A	0.90 (22,8)	0.32 (8,2)	1.97 (50)	0.37 (9,5)	21
-	CA3106F12S-**-***	5/8-24NEF-2A	1.02 (26,0)	0.32 (8,2)	1.97 (50)	0.37 (9,5)	29
VG95234H-14S-*	CA3106F14S-**-***	3/4-20UNEF-2A	1.15 (29,2)	0.44 (11,1)	1.97 (50)	0.37 (9,5)	33
VG95234H-16S-*	CA3106F16S-**-***	7/8-20UNEF-2A	1.18 (32,0)	0.56 (14,3)	1.97 (50)	0.37 (9,5)	42
VG95234H-16-*	CA3106F16-**-***	7/8-20UNEF-2A	1.18 (32,0)	0.56 (14,3)	2.36 (60)	0.37 (9,5)	51
VG95234H-18-*	CA3106F18-**-***	1-20UNEF-2A	1.44 (36,5)	0.66 (16,7)	2.36 (60)	0.37 (9,5)	59
VG95234H-20-*	CA3106F20-**-***	1 3/16-18UNEF-2A	1.57 (39,9)	0.78 (19,8)	2.36 (60)	0.37 (9,5)	59
VG96234H-22-*	CA3106F22-**-***	1 3/16-18UNEF-2A	1.70 (43,1)	0.78 (19,8)	2.36 (60)	0.37 (9,5)	62
VG95234H-24-*	CA3106F24-**-***	1 7/16-18UNEF-2A	1.83 (46,6)	1.00 (25,4)	2.56 (65)	0.37 (9,5)	84
VG95234H-28-*	CA3106F28-**-***	1 7/16-18UNEF-2A	2.10 (53,4)	1.06 (27,0)	2.56 (65)	0.37 (9,5)	100
VG95234H-32-*	CA3106F32-**-***	1 3/4-18UNS-2A	2.37 (60,1)	1.28 (32,5)	2.56 (65)	0.43 (11,0)	116
VG95234H-36-*	CA3106F36-**-***	2-18UNS-2A	2.61 (66,3)	1.40 (35,7)	3.15 (80)	0.46 (11,8)	142

1) Weight without insulator, grommets and contacts. 2) For max. cable entry.



Dimensions shown in inches (mm)
Specifications and dimensions subject to change

www.ittcannon.com

Wall Mounting Receptacle



A

Circular

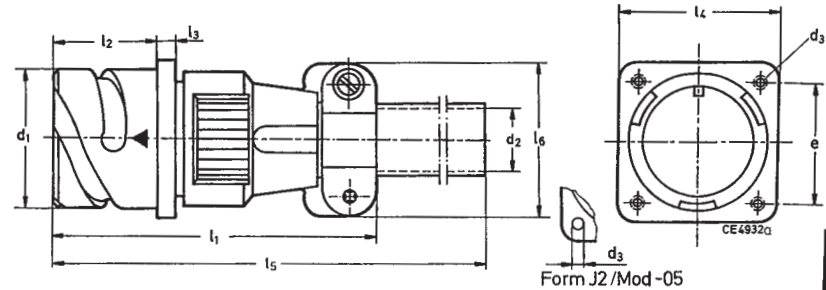
For rear mounting

VG95234 Style J₁ (with threaded holes in flange)
VG95234 Style J₂ (with through holes in flange)

CA3100E-B and Modifications e g -05
 (with through holes)

CA3100E-B designates a wall mounting
 receptacle with cable clamp and telescoping
 bushing

CA3100E-B and Modifications e g -01, -F80
 (for ordered contacts)



VG95234 Part no.	Cannon Part no.	d ₁ -0,15	d ₂ ¹⁾	J1	d ₃	J2	e ±0,1	L ₁ max.	L ₂ +0,4	L ₃ ±0,2	L ₄ ±0,3	L ₅ max.
VG95234*XX-10SL*	CA3100E10SL**B-***	0.72 (18,2)	0.26 (6,5)	M4	0.13 (3,2)		18,2	2.24 (57)	0.72 (18,2)	0.11 (2,8)	1.00 (25,4)	4.72 (120)
-	CA3100E12S**B-***	0.84 (21,4)	0.26 (6,5)	M4	0.13 (3,2)		20,6	2.24 (57)	0.72 (18,2)	0.13 (3,2)	1.10 (28,0)	4.72 (120)
VG95234*XX-14S*	CA3100E14S**B-***	0.97 (24,6)	0.35 (9,0)	M4	0.13 (3,2)		23,0	2.32 (59)	0.72 (18,2)	0.13 (3,2)	1.18 (30,0)	4.72 (120)
VG95234*XX-16S*	CA3100E16S**B-***	1.08 (27,4)	0.43 (11,0)	M4	0.13 (3,2)		24,6	2.36 (60)	0.72 (18,2)	0.13 (3,2)	1.28 (32,5)	4.72 (120)
VG95234*XX-16*	CA3100E16**B-***	1.08 (27,4)	0.43 (11,0)	M4	0.13 (3,2)		24,6	2.68 (68)	0.85 (21,5)	0.13 (3,2)	1.28 (32,5)	4.92 (125)
VG95234*XX-18*	CA3100E18**B-***	1.21 (30,8)	0.56 (14,2)	M4	0.13 (3,2)		27,0	2.83 (72)	0.91 (23,05)	0.16 (4,0)	1.38 (35,0)	4.92 (125)
VG95234*XX-20*	CA3100E20**B-***	1.35 (34,2)	0.62 (15,8)	M4	0.13 (3,2)		29,4	2.83 (72)	0.91 (23,05)	0.16 (4,0)	1.50 (38,0)	4.92 (125)
VG95234*XX-22*	CA3100E22**B-***	1.47 (37,4)	0.62 (15,8)	M4	0.13 (3,2)		31,8	2.83 (72)	0.91 (23,05)	0.16 (4,0)	1.61 (41,0)	4.92 (125)
VG95234*XX-24*	CA3100E24**B-***	1.61 (40,9)	0.84 (21,4)	M4	0.15 (3,7)		34,9	3.07 (78)	0.91 (23,05)	0.16 (4,0)	1.75 (44,5)	4.92 (125)
VG95234*XX-28*	CA3100E28**B-***	1.84 (46,7)	0.84 (21,4)	M5	0.15 (3,7)		39,7	3.11 (79)	0.95 (24,05)	0.16 (4,0)	2.00 (50,8)	4.92 (125)
VG95234*XX-32*	CA3100E32**B-***	2.10 (53,4)	1.05 (26,7)	M5	0.17 (4,3)		44,5	3.07 (78)	0.95 (24,05)	0.16 (4,0)	2.24 (57,0)	4.92 (125)
VG95234*XX-36*	CA3100E36**B-***	2.35 (59,6)	1.25 (31,7)	M5	0.17 (4,3)		49,2	3.07 (78)	0.95 (24,05)	0.16 (4,0)	2.50 (63,5)	5.31 (135)

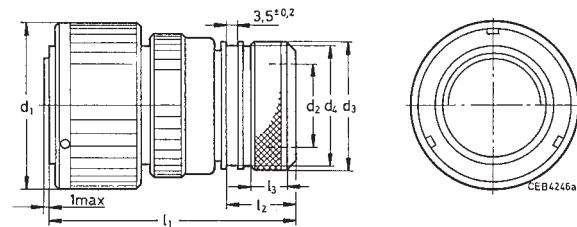
1) For max. cable entry.

Straight Plug, Shielded

VG95234 Style M

CA3106E-B-13, -14 or -15 designates a straight,
 shielded plug with endbell for shielded braids, and
 heat shrinkable boots

CA3106E-B and Modifications, see page A-134



VG95234 Part no.	Cannon Part no.	d ₁ max.	d ₂ ²⁾ min.	d ₃ ±0,5	d ₄ max.	l ₁ max.	l ₂ +1	l ₃ ±0,5	Weight ¹⁾ g max.
VG95234M-10SL*	CA3106E10SL**B-***	0.90 (22,8)	0.30 (7,7)	0.73 (18,5)	0.64 (16,3)	2.17 (55,0)	0.67 (17,0)	0.28 (7,0)	40
-	CA3106E12S**B-***	1.02 (26,0)	0.37 (9,3)	0.79 (20,0)	0.67 (17,0)	2.17 (55,0)	0.67 (17,0)	0.28 (7,0)	42
VG95234M-14S*	CA3106E14S**B-***	1.15 (29,2)	0.42 (10,6)	0.87 (22,0)	0.79(20,0)	2.17 (55,0)	0.67 (17,0)	0.28 (7,0)	45
VG95234M-16S*	CA3106E16S**B-***	1.26 (32,0)	0.53 (13,5)	0.98 (25,0)	0.91(23,0)	2.36 (60,0)	0.71 (18,0)	0.31 (8,0)	55
VG95234M-16*	CA3106E16**B-***	1.26 (32,0)	0.53 (13,5)	0.98 (25,0)	0.91(23,0)	2.76 (70,0)	0.71 (18,0)	0.31 (8,0)	65
VG95234M-18*	CA3106E18**B-***	1.44 (36,5)	0.57 (14,6)	1.10 (28,0)	0.96 (24,5)	2.76 (70,0)	0.71 (18,0)	0.31 (8,0)	75
VG95234M-20*	CA3106E20**B-***	1.57 (39,9)	0.73 (18,5)	1.26 (32,0)	1.12 (28,5)	2.76 (70,0)	0.71 (18,0)	0.39 (10,0)	85
VG95234M-22*	CA3106E22**B-***	1.70 (43,1)	0.82 (20,8)	1.34 (34,0)	1.20 (30,5)	2.76 (70,0)	0.71 (18,0)	0.39 (10,0)	100
VG95234M-24*	CA3106E24**B-***	1.88 (46,6)	0.97 (24,6)	1.50 (38,0)	1.36 (34,5)	2.76 (70,0)	0.71 (18,0)	0.39 (10,0)	115
VG95234M-28*	CA3106E28**B-***	2.10 (53,4)	1.06 (27,0)	1.61 (41,0)	1.48 (37,5)	2.76 (70,0)	0.71 (18,0)	0.39 (10,0)	130
VG95234M-32*	CA3106E32**B-***	2.37 (60,1)	1.31 (33,3)	1.89 (48,0)	1.73 (44,0)	2.76 (70,0)	0.71 (18,0)	0.39 (10,0)	170
VG95234M-36*	CA3106E36**B-***	2.61 (66,3)	1.52 (38,5)	2.17 (55,0)	2.00 (51,0)	3.15 (80,0)	0.71 (18,0)	0.39 (10,0)	190

1) Weight without insulator, grommets and contacts. 2) For max. cable entry.

Dimensions shown in inches (mm)
 Specifications and dimensions subject to change

www.ittcannon.com



Cannon VG/CA-Bayonet

Wall Mounting Receptacle



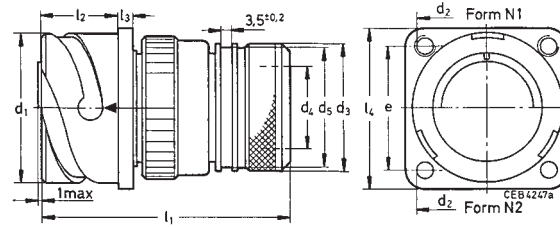
A

Circular

VG95234 Style N1 (with threaded holes in flange)
VG95234 Style N2 (with through holes in flange)

CA3100E-B, -13, -14 or -15, -05-13, -05-14 or -05-15 designates a shielded receptacle with endbell for shielded braids, and also for heat shrinkable boots

CA3100E-B and Modifications, see page A-134



VG95234 Part no.	Cannon Part no.	d ₁ -0,15	d ₂ Thread H13 N1 N2	d ₃ ±0,5	d ₄ ²⁾ min.	d ₅ max.	e ±0,1	l ₁ max.	l ₂ +0,4	l ₃ ±0,2	l ₄ +0,3	Weight ¹⁾ g max.	
VG95234*XX-10SL*	CA3100E10SL**B-***	0.72 (18,2)	M4	0.13 (3,2)	0.73 (18,5)	0.30 (7,7)	0.64 (16,3)	0.72 (18,2)	2.17 (55)	0.72 (18,2)	0.11 (2,8)	1.00 (25,4)	45
VG95234*XX-14S*	CA3100E14S**B-***	0.97 (24,6)	M4	0.13 (3,2)	0.87 (22,0)	0.42 (10,6)	0.79 (20,0)	0.91 (23,0)	2.28 (58)	0.72 (18,2)	0.13 (3,2)	1.18 (30,0)	55
VG95234*XX-16S*	CA3100E16S**B-***	1.08 (27,4)	M4	0.13 (3,2)	0.98 (25,0)	0.53 (13,5)	0.91 (23,0)	0.97 (24,6)	2.76 (70)	0.72 (18,2)	0.13 (3,2)	1.28 (32,5)	65
VG95234*XX-16*	CA3100E16**B-***	1.08 (27,4)	M4	0.13 (3,2)	0.98 (25,0)	0.53 (13,5)	0.91 (23,0)	0.97 (24,6)	2.76 (70)	0.85 (21,5)	0.13 (3,2)	1.28 (32,5)	75
VG95234*XX-18*	CA3100E18**B-***	1.21 (30,8)	M4	0.13 (3,2)	1.10 (28,0)	0.57 (14,6)	0.96 (24,5)	1.06 (27,0)	2.76 (70)	0.91 (23,05)	0.16 (4,0)	1.38 (35,0)	85
VG95234*XX-20*	CA3100E20**B-***	1.35 (34,2)	M4	0.13 (3,2)	1.26 (32,0)	0.73 (18,5)	1.12 (28,5)	1.16 (29,4)	2.76 (70)	0.91 (23,05)	0.16 (4,0)	1.51 (38,4)	95
VG95234*XX-22*	CA3100E22**B-***	1.47 (37,4)	M4	0.13 (3,2)	1.34 (34,0)	0.82 (20,8)	1.20 (30,5)	1.25 (31,8)	2.76 (70)	0.91 (23,05)	0.16 (4,0)	1.61 (41,0)	105
VG95234*XX-24*	CA3100E24**B-***	1.61 (40,9)	M4	0.15 (3,7)	1.50 (38,0)	0.97 (24,6)	1.36 (34,5)	1.37 (34,9)	2.76 (70)	0.91 (23,05)	0.16 (4,0)	1.75 (44,5)	120
VG95234*XX-28*	CA3100E28**B-***	1.84 (46,7)	M5	0.15 (3,7)	1.61 (41,0)	1.06 (27,0)	1.48 (37,5)	1.56 (39,7)	2.76 (70)	0.95 (24,05)	0.16 (4,0)	2.00 (50,8)	150
VG95234*XX-32*	CA3100E32**B-***	2.10 (53,4)	M5	0.17 (4,3)	1.89 (48,0)	1.31 (33,3)	1.73 (44,0)	1.75 (44,5)	2.95 (75)	0.95 (24,05)	0.16 (4,0)	2.24 (57,0)	190
VG95234*XX-36*	CA3100E36**B-***	2.35 (59,6)	M5	0.17 (4,3)	2.17 (55,0)	1.52 (38,5)	2.00 (51,0)	1.94 (49,2)	3.35 (85)	0.95 (24,05)	0.16 (4,0)	2.50 (63,5)	220

1) Weight without insulator, grommets and contacts.

2) For max. cable entry.



Dimensions shown in inches (mm)
 Specifications and dimensions subject to change

www.ittcannon.com

Cannon VG/CA-Bayonet

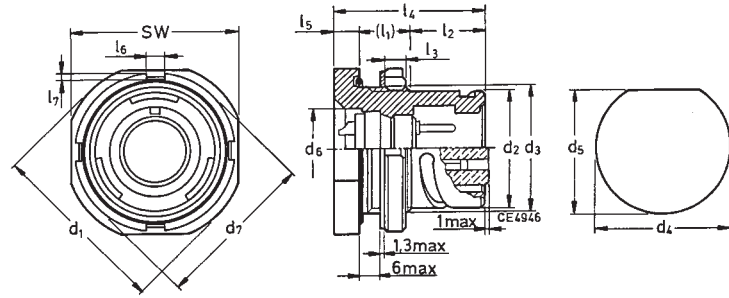
Jam Nut Receptacle



A

CA07A-B designates a rear mounting jam nut receptacle

CA07A-B and Modifications, see page A-134



Circular

Cannon Part no.	d ₁	d ₂	d ₃ Thread	(l ₁)	l ₂	l ₃	l ₄	d ₄	d ₅	d ₆	d ₇	sw	d ₈	l ₅	l ₆	l ₇
CA07A10SL-***B-***	1.38 (35,0)	0.72 (18,2)	7/8-20UNEF-2A	0.53 (13,5)	0.49 (12,5)	0.16 (4,0)	1.15 (29,2)	0.89 (22,7)	0.82 (20,9)	0.52 (13,5)	1.24 (31,5)	1.25 (31,8)	0.81 (20,6)	0.13 (3,2)	0.20 (5,0)	0.10 (2,5)
CA07A14S-***B-***	1.63 (41,3)	0.97 (24,6)	1 1/8-18UNEF-2A	0.53 (13,5)	0.49 (12,5)	0.16 (4,0)	1.15 (29,2)	1.13 (28,8)	1.07 (27,2)	0.70 (17,9)	1.49 (37,9)	1.50 (38,1)	1.06 (26,9)	0.13 (3,2)	0.24 (6,0)	0.10 (2,5)
CA07A16S-***B-***	1.75 (44,4)	1.08 (27,4)	1 1/4-18UNEF-2A	0.53 (13,5)	0.49 (12,5)	0.16 (4,0)	1.15 (29,2)	1.26 (32,0)	1.20 (30,4)	0.83 (21,1)	1.61 (41,0)	1.62 (41,2)	1.19 (30,1)	0.13 (3,2)	0.24 (6,0)	0.10 (2,5)
CA07A16-***B-***	1.75 (44,4)	1.08 (27,4)	1 1/4-18UNEF-2A	0.53 (13,5)	0.83 (21,0)	0.16 (4,0)	1.48 (37,7)	1.26 (32,0)	1.20 (30,4)	0.83 (21,1)	1.61 (41,0)	1.62 (41,2)	1.19 (30,1)	0.13 (3,2)	0.24 (6,0)	0.10 (2,5)
CA07A18-***B-***	1.90 (48,2)	1.21 (30,8)	1 3/8-18UNEF-2A	0.59 (15,0)	0.83 (21,0)	0.20 (5,0)	1.57 (40,0)	1.38 (35,1)	1.32 (33,6)	0.95 (24,2)	1.76 (44,8)	1.77 (45,0)	1.31 (33,3)	0.16 (4,0)	0.28 (7,0)	0.12 (3,0)
CA07A20-***B-***	2.06 (52,4)	1.35 (34,2)	1 1/2-18UNEF-2A	0.59 (15,0)	0.83 (21,0)	0.20 (5,0)	1.57 (40,0)	1.50 (38,2)	1.45 (36,8)	1.11 (28,2)	1.93 (49,0)	1.94 (49,2)	1.44 (36,5)	0.16 (4,0)	0.28 (7,0)	0.12 (3,0)
CA07A22-***B-***	2.19 (55,5)	1.47 (37,4)	1 5/8-18UNEF-2A	0.59 (15,0)	0.83 (21,0)	0.20 (5,0)	1.57 (40,0)	1.65 (42,0)	1.57 (39,9)	1.24 (31,4)	2.06 (52,2)	2.06 (52,4)	1.56 (39,6)	0.16 (4,0)	0.28 (7,0)	0.12 (3,0)
CA07A24-***B-***	2.32 (59,0)	1.61 (40,9)	1 3/4-18UNEF-2A	0.59 (15,0)	0.83 (21,0)	0.20 (5,0)	1.57 (40,0)	1.76 (44,7)	1.70 (43,1)	1.36 (34,5)	2.17 (55,0)	2.06 (55,2)	1.62 (41,2)	0.16 (4,0)	0.28 (7,0)	0.12 (3,0)
CA07A28-***B-***	2.60 (66,0)	1.84 (46,7)	2-18UNEF-2A	0.59 (15,0)	0.83 (21,0)	0.20 (5,0)	1.57 (40,0)	2.01 (51,1)	1.94 (49,2)	1.58 (40,1)	2.44 (62,0)	2.45 (62,2)	1.87 (47,5)	0.16 (4,0)	0.28 (7,0)	0.12 (3,0)
CA07A32-***B-***	2.83 (72,0)	2.10 (53,4)	2 1/4-16UN-2A	0.59 (15,0)	0.83 (21,0)	0.20 (5,0)	1.57 (40,0)	2.26 (57,4)	2.19 (55,7)	1.83 (46,5)	2.68 (68,0)	2.69 (68,2)	2.13 (54,1)	0.16 (4,0)	0.28 (7,0)	0.12 (3,0)
CA07A36-***B-***	3.15 (80,0)	2.35 (59,6)	1/2-16UN-2A	0.59 (15,0)	0.83 (21,0)	0.20 (5,0)	1.57 (40,0)	2.51 (63,8)	2.44 (62,0)	2.02 (51,2)	2.95 (75,0)	2.96 (75,2)	2.38 (60,5)	0.16 (4,0)	0.31 (8,0)	0.12 (3,0)

Dimensions shown in inches (mm)
Specifications and dimensions subject to change

www.ittcannon.com



Cannon VG/CA-Bayonet



A

Circular

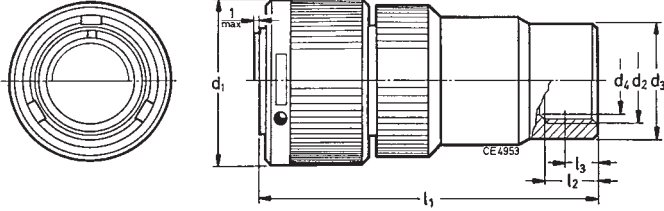
Straight Plug with PG Adapter

CA06PG-B designates a straight plug featured by an adaptor for PG glands.

Enlarged PG glands upon request.

CA06ME-B¹ designates a straight plug featured by an adaptor for metric glands.

CA06PG-B; CA06ME-B and Modifications see page A-134.



¹Alternative enlarged PG glands upon request

Cannon Part no.	d ₁	d ₃	d ₄	l ₁	l ₂	l ₃	d ₂ PG-Thread
CA06PG10SL-**-B-***	0.90 (22,8)	0.71 (18,0)	0.38 (9,7)	2.05 (52)	0.37 (9,5)	0.28 (7,0)	PG 9
CA06PG12S-**-B-***	1.02 (26,0)	0.74 (18,8)	0.41 (10,4)	2.05 (52)	0.37 (9,5)	0.28 (7,0)	PG 9
CA06PG14S-**-B-***	1.15 (29,2)	0.87 (22,0)	0.49 (12,5)	2.05 (52)	0.39 (10,0)	0.28 (7,0)	PG11
CA06PG16S-**-B-***	1.26 (32,0)	0.93 (23,6)	0.59 (15,0)	2.13 (54)	0.39 (10,0)	0.28 (7,0)	PG13,5
CA06PG16-**-B-***	1.26 (32,0)	0.94 (24,0)	0.59 (15,0)	2.52 (64)	0.39 (10,0)	0.28 (7,0)	PG13,5
CA06PG18-**-B-***	1.44 (36,5)	0.96 (24,4)	0.67 (17,0)	2.72 (69)	0.45 (11,5)	0.30 (7,5)	PG13,5
CA06PG20-**-B-***	1.57 (39,9)	1.06 (26,8)	0.67 (17,0)	2.76 (70)	0.45 (11,5)	0.30 (7,5)	PG16
CA06PG22-**-B-***	1.66 (42,1)	1.04 (26,4)	0.67 (17,0)	2.87 (73)	0.45 (11,5)	0.30 (7,5)	PG16
CA06PG24-**-B-***	1.83 (46,6)	1.06 (26,8)	0.73 (18,5)	2.91 (74)	0.49 (12,5)	0.30 (7,5)	PG16
CA06PG28-**-B-***	2.10 (53,4)	1.26 (32,0)	0.73 (18,5)	2.91 (74)	0.49 (12,5)	0.30 (7,5)	PG21
CA06PG32-**-B-***	2.37 (60,1)	1.61 (40,8)	0.94 (24,0)	2.99 (76)	0.53 (13,5)	0.33 (8,5)	PG29
CA06PG36-**-B-***	2.61 (66,3)	1.61 (40,8)	1.26 (32,0)	3.43 (87)	0.59 (15,0)	0.35 (9,0)	PG29

Cannon Part no.	d ₁	d ₃ max	d ₄	l ₁	l ₂	l ₃	d ₂ Metric
CA06ME10SL-**-B-***	0.90 (22,8)	0.85 (21,5)	0.38 (9,7)	2.05 (52)	0.37 (9,5)	0.28 (7,0)	M16 X 1,5
CA06ME12S-**-B-***	1.02 (26,0)	0.89 (22,5)	0.41 (10,4)	2.05 (52)	0.37 (9,5)	0.28 (7,0)	M16 X 1,5
CA06ME14S-**-B-***	1.15 (29,2)	0.98 (25,0)	0.49 (12,5)	2.05 (52)	0.39 (10,0)	0.28 (7,0)	M20 X 1,5
CA06ME16S-**-B-***	1.26 (32,0)	1.04 (26,5)	0.59 (15,0)	2.13 (54)	0.39 (10,0)	0.28 (7,0)	M20 X 1,5
CA06ME16-**-B-***	1.26 (32,0)	1.04 (26,5)	0.59 (15,0)	2.52 (64)	0.39 (10,0)	0.28 (7,0)	M20 X 1,5
CA06ME18-**-B-***	1.44 (36,5)	1.22 (31,0)	0.67 (17,0)	2.72 (69)	0.45 (11,5)	0.30 (7,5)	M25 X 1,5
CA06ME20-**-B-***	1.57 (39,9)	1.34 (34,0)	0.67 (17,0)	2.76 (70)	0.45 (11,5)	0.30 (7,5)	M25 X 1,5
CA06ME22-**-B-***	1.66 (42,1)	1.59 (40,5)	0.67 (17,0)	2.87 (73)	0.45 (11,5)	0.30 (7,5)	M32 X 1,5
CA06ME24-**-B-***	1.83 (46,6)	1.59 (40,5)	0.73 (18,5)	2.91 (74)	0.49 (12,5)	0.30 (7,5)	M32 X 1,5
CA06ME28-**-B-***	2.10 (53,4)	1.61 (41,0)	0.73 (18,5)	2.91 (74)	0.49 (12,5)	0.30 (7,5)	upon request
CA06ME32-**-B-***	2.37 (60,1)	1.91 (48,5)	0.94 (24,0)	2.99 (76)	0.53 (13,5)	0.33 (8,5)	upon request
CA06ME36-**-B-***	2.61 (66,3)	1.91 (48,5)	1.26 (32,0)	3.43 (87)	0.59 (15,0)	0.35 (9,0)	upon request



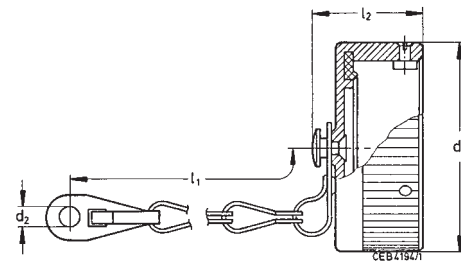
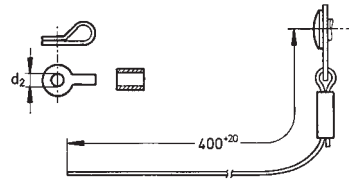
Dimensions shown in inches (mm)
Specifications and dimensions subject to change

www.ittcannon.com

Cannon VG/CA-Bayonet

Metal Protecting Caps

For receptacles, shell style
3100, 3101 und 3102
Material: Aluminum alloy



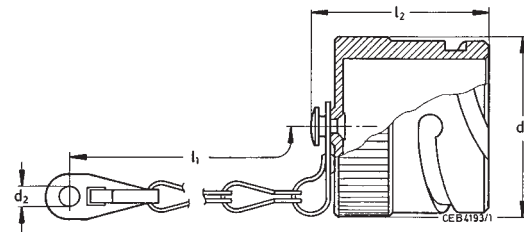
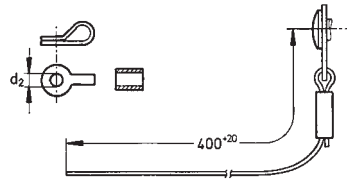
A

Circular

Shell size	VG95234 Part no. with chain	VG95234 Part no. with cord	Cannon Part no. with chain	Cannon Part no. with cord	d ₁ max.	d ₂ +0,6	l ₁ min. f. chain	l ₂ max.	Weight g max.
10SL	VG95234KR10SL	VG95234KA10SL	CA121003-1	CAB81-10SL-D	0.93 (23,5)	0.17 (4,3)	3.54 (90)	0.79 (20)	16
12S	-	-	CA121003-2	CAB81-12S-D	1.06 (27,0)	0.17 (4,3)	3.54 (90)	0.79 (20)	17
14S	VG95234KR14S	VG95234KA14S	CA121003-3	CAB81-14S-D	1.20 (30,5)	0.17 (4,3)	3.54 (90)	0.79 (20)	18
16S	VG95234KR16S	VG95234KA16S	CA121003-4	CAB81-16S-D	1.30 (33,0)	0.17 (4,3)	3.54 (90)	0.79 (20)	19
16	VG95234KR16	VG95234KA16	CA121003-5	CAB81-16-D	1.30 (33,0)	0.17 (4,3)	3.94 (100)	0.98 (25)	23
18	VG95234KR18	VG95234KA18	CA121003-6	CAB81-18-D	1.48 (37,5)	0.17 (4,3)	3.94 (100)	0.98 (25)	27
20	VG95234KR20	VG95234KA20	CA121003-7	CAB81-20-D	1.61 (41,0)	0.17 (4,3)	4.53 (115)	0.98 (25)	30
22	VG95234KR22	VG95234KA22	CA121003-8	CAB81-22-D	1.73 (44,0)	0.17 (4,3)	4.53 (115)	0.98 (25)	33
24	VG95234KR24	VG95234KA24	CA121003-9	CAB81-24-D	1.87 (47,5)	0.17 (4,3)	4.53 (115)	0.98 (25)	37
28	VG95234KR28	VG95234KA28	CA121003-10	CAB81-28-D	2.15 (54,5)	0.22 (5,5)	6.30 (160)	0.98 (25)	42
32	VG95234KR32	VG95234KA32	CA121003-11	CAB81-32-D	2.40 (61,0)	0.22 (5,5)	6.30 (160)	0.98 (25)	48
36	VG95234KR36	VG95234KA36	CA121003-12	CAB81-36-D	2.66 (67,5)	0.22 (5,5)	6.30 (160)	0.98 (25)	55

Metal Protecting Caps

For plugs, shell style
3106 and 3108
Material: Aluminum alloy



Shell size	VG95234 Part no. with chain	VG95234 Part no. with cord	Cannon Part no. with chain	Cannon Part no. with cord	d ₁ max.	d ₂	l ₁	l ₂ max.	Weight g max.
10SL	VG95234KB10SL	VG95234KC10SL	CA121004-1	CAB80-10SL-D	0.83 (21,0)	0.17 (4,3)	3.54 (90)	1.14 (29)	19
12S	-	-	CA121004-2	CAB80-12S-D	0.94 (24,0)	0.17 (4,3)	3.94 (100)	1.14 (29)	23
14S	VG95234KB14S	VG95234KC14S	CA121004-3	CAB80-14S-D	1.08 (27,5)	0.17 (4,3)	3.94 (100)	1.14 (29)	26
16S	VG95234KB16S	VG95234KC16S	CA121004-4	CAB80-16S-D	1.18 (30,0)	0.17 (4,3)	3.94 (100)	1.14 (29)	28
16	VG95234KB16	VG95234KC16	CA121004-5	CAB80-16-D	1.18 (30,0)	0.17 (4,3)	4.53 (115)	1.46 (37)	33
18	VG95234KB18	VG95234KC18	CA121004-6	CAB80-18-D	1.32 (33,5)	0.17 (4,3)	4.53 (115)	1.46 (37)	36
20	VG95234KB20	VG95234KC20	CA121004-7	CAB80-20-D	1.46 (37,0)	0.19 (4,7)	5.12 (130)	1.46 (37)	43
22	VG95234KB22	VG95234KC22	CA121004-8	CAB80-22-D	1.57 (40,0)	0.19 (4,7)	5.12 (130)	1.46 (37)	47
24	VG95234KB24	VG95234KC24	CA121004-9	CAB80-24-D	1.71 (43,5)	0.19 (4,7)	5.12 (130)	1.46 (37)	53
28	VG95234KB28	VG95234KC28	CA121004-10	CAB80-28-D	1.95 (49,5)	0.19 (4,7)	7.48 (190)	1.46 (37)	63
32	VG95234KB32	VG95234KC32	CA121004-11	CAB80-32-D	2.20 (56,0)	0.22 (5,5)	7.48 (190)	1.46 (37)	75
36	VG95234KB36	VG95234KC36	CA121004-12	CAB80-36-D	2.46 (62,5)	0.22 (5,5)	7.48 (190)	1.46 (37)	88

Dimensions shown in inches (mm)
Specifications and dimensions subject to change

www.ittcannon.com

Cannon VG/CA-Bayonet

Contacts



A

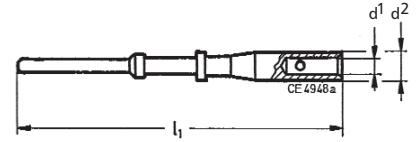
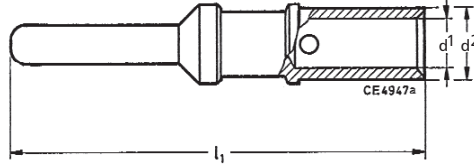
Circular

Standard contacts and contacts with reduced termination diameter

Size 15S/16S, 15/16, 25/12, 60/100/8, 160/4, 500/0

Size 10/20

Pin contacts



Finish

- A36 - 5 m silver plated and passivated
- A176 - 2 m nickel plated, min. 0,5 m gold

Contact size	VG95234 Part no.	Wire size, mm ²	AWG	Part no. with finish Standard: A36 silver plated	Part no. with finish Mod.Code: A176 gold plated	d ₁	d ₂	l ₁ ±0,15	Color Code
10/20	VG95234P10-002	0,5-1,0	20/18	030-8585-000	030-8585-006	1,5 +0,05	2,4 -0,05	28,4	-
	VG95234P10-001	0,2-0,4	26/22	030-8585-010	-	0,9 +0,05	2,4 -0,05	28,4	blue
15S/16S	VG95234P15S-003	0,75-1,5	18/16	030-8586-000	030-8586-006	1,75 +0,08	2,75 -0,05	27,4	-
	VG95234P15S-002	0,3-0,6	22/20	330-8744-000	330-8744-006	1,2 +0,1	2,75 -0,05	27,4	red
	VG95234P15S-001	0,14-0,38	22/26	030-8586-010	-	0,9 +0,05	2,75 -0,05	27,4	blue
15/16	VG95234P15-003	0,75-1,5	18/16	030-8587-000	030-8587-006	1,75 +0,08	2,75 -0,05	31,4	-
	VG95234P15-002	0,3-0,6	22/20	330-8659-000	330-8659-006	1,2 +0,1	2,75 -0,05	31,4	red
	VG95234P15-001	0,14-0,38	22/26	030-8587-030	030-8587-036	0,9 +0,05	2,75 -0,05	31,4	blue
25/12	VG95234P25-002	2,0-3,0	14/12	030-8588-000	030-8588-006	2,5 +0,1	3,8 -0,1	37,0	-
	VG95234P25-001	0,75-1,5	18/16	030-8588-010	030-8588-016	1,75 +0,08	3,4 -0,1	37,0	black
		4,0	-	-	030-8588-054	-	2,8 +0,1	3,8 -0,1	37,0
60/100/8	VG95234P8-001	-	8	030-8612-000	030-8612-006	4,55 +0,1	6,8 -0,1	39,6	-
	VG95234P60-002	6,0	10	030-8589-000	-	3,5 +0,1	6,8 -0,1	39,6	yellow
	VG95234P100-001	10,0	-	030-8590-000	-	4,8 +0,1	6,8 -0,1	39,6	-
	VG95234P60-001	2,0-3,0	14/12	030-8612-010	-	2,5 +0,05	6,8 -0,1	39,6	green
160/4	VG95234P4-001	-	4	030-8613-000	-	7,1 +0,15	9,55 -0,1	39,6	-
	VG95234P160-002	16,0	-	030-8591-000	-	6,2 +0,15	9,55 -0,1	39,6	-
		10,0	-	030-8591-020	-	4,8 +0,1	9,55 -0,1	39,6	-
	VG95234P160-001	-	6	030-8613-010	-	5,7 +0,1	9,55 -0,1	39,6	brown
500/0	VG95234P0-001	-	0	030-8614-000	-	11,5 +0,15	14,35 -0,1	41,0	-
	VG95234P500-003	50,0	-	030-8592-000	-	10,7 +0,15	14,35 -0,1	41,0	-
	VG95234P500-001	25,0	4	030-8614-010	-	7,6 +0,15	14,35 -0,1	41,0	white
	VG95234P500-002	35,0	2	030-8614-020	-	9,1 +0,15	14,35 -0,1	41,0	grey
		16,0	-	030-8614-030	-	6,2 +0,15	14,35 -0,1	41,0	-



Dimensions shown in inches (mm)
Specifications and dimensions subject to change

www.ittcannon.com

Cannon VG/CA-Bayonet

Contacts



A

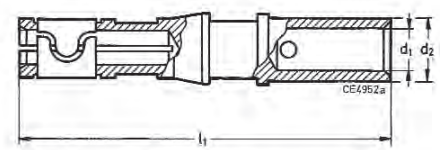
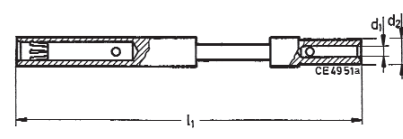
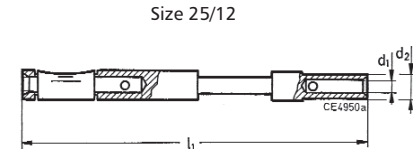
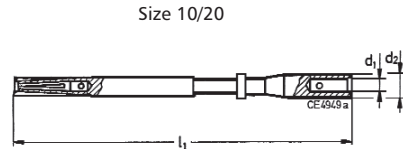
Circular

Standard contacts and contacts with reduced termination diameter

Socket contacts

Finish

- A36** – 5 m silver plated and passivated
- A176** – 2 m nickel plated, min. 0,5 m gold plated



Contact size	VG95234 Part no.	Wire size mm ²	AWG	Part no. with finish Standard: A36 silver plated	Part no. with finish Mod.Code A176 gold plated	d ₁	d ₂	l ₁ ±0,2	Color Code
10/20	VG95234S10-002	0,5-1,0	20/18	031-8554-000	031-8554-006	1,5 +0,05	2,4 -0,05	36,8±0,3	–
	VG95234S10-001	0,2-0,4	26/22	031-8554-010	–	0,9 +0,05	2,4 -0,05	36,8±0,3	blue
15S/16S	VG95234S15S-003	0,75-1,5	18/16	031-8555-110	031-8555-115	1,75 +0,08	2,75 -0,05	29,1	–
	VG95234S15S-002	0,3-0,6	22/20	031-8688-110	031-8688-115	1,20 +0,1	2,75 -0,05	29,1	red
	VG95234S15S-001	0,14-0,38	22/26	031-8555-130	–	0,90 +0,05	2,75 -0,05	29,1	blue
15/16	VG95234S15-003	0,75-1,5	18/16	031-8556-110	031-8556-115	1,75 +0,08	2,75 -0,05	37,8	–
	VG95234S15-002	0,3-0,6	22/20	031-8639-120	031-8639-115	1,2 +0,1	2,75 -0,05	37,8	red
	VG95234S15-001	0,14-0,38	22/26	031-8556-130	–	0,9 +0,05	2,75 -0,05	37,8	blue
25/12	VG95234S25-002	2,0-3,0	14/12	031-8557-000	031-8557-006	2,5 +0,1	3,8 -0,1	37,0	–
	VG95234S25-001	0,75-1,5	18/16	031-8557-020	031-8557-026	1,75 +0,08	3,4 -0,1	37,0	black
		4,0	–	031-8557-010	–	2,8 +0,1	3,8 -0,1	37,0	–
		0,3-0,6	22/20	031-8557-040	–	1,2 +0,1	2,75 -0,1	37,0	–
60/100/8	VG95234S8-001	–	8	031-8519-000	031-8519-006	4,55 +0,1	6,8 -0,1	40,1	–
	VG95234S60-002	6,0	10	031-8558-000	–	3,5 +0,1	6,8 -0,1	40,1	yellow
	VG95234S100-001	10,0	–	031-8559-000	–	4,8 +0,1	6,8 -0,1	40,1	–
	VG95234S60-001	2,0-3,0	14/12	031-8519-010	–	2,5 +0,05	6,8 -0,1	40,1	green
160/4	VG95234S4-001	–	4	031-8520-000	–	7,1 +0,15	9,55 -0,1	40,1	–
	VG95234S160-002	16,0	–	031-8560-000	–	6,2 +0,15	9,55 -0,1	40,1	–
		10,0	–	031-8560-020	–	4,8 +0,1	9,55 -0,1	40,1	–
	VG95234S160-001	–	6	031-8520-010	–	5,7 +0,15	9,55 -0,1	40,1	brown
500/0	VG95234S0-001	–	0	031-8521-000	–	11,5 +0,15	14,35 -0,1	41,6	–
	VG95234S500-003	50,0	–	031-8561-000	–	10,7 +0,15	14,35 -0,1	41,6	–
	VG95234S500-001	25,0	4	031-8521-010	–	7,6 +0,15	14,35 -0,1	41,6	white
	VG95234S500-002	35,0	2	031-8521-020	–	9,1 +0,15	14,35 -0,1	41,6	grey
		16,0	–	031-8521-030	–	6,2 +0,15	14,35 -0,1	41,6	–

Dimensions shown in inches (mm)
Specifications and dimensions subject to change

www.ittcannon.com



Cannon VG/CA-Bayonet

Contacts



A

Circular

Termination Tools

for pin and socket contacts according VG95234 and for Cannon contacts with reduced termination size.

Contact size	Wire size		Hand crimp tool Type	Crimp die for M22520-1-01	Pneumatic crimp tool ¹⁾		Description	Turret for pneumatic crimp tool
	mm ²	AWG			Standard type*	Order Number		
10/20	0,2 – 1,0	20 – 24	M22520-1-01 Hand crimp tool (eight indent crimp) Order Number 995-0001-585	600 325 600 325	WA27F-CE	121586-5067	pneumatic crimp tool (AWG12-20)	608 325 608 325
15S/16S	0,14 – 1,5	16 – 26		TH 452 TH 452	WA22-CE	121586-5070	pneumatic crimp tool (AWG20-32)	TH 452 TH 452
15/16	0,14 – 1,5	16 – 26		TH 452 TH 452	BM-2	121586-5068	Bench mount	TH 452 TH 452
25/12	0,75 – 4,0	12 – 18		TH 452 TH 452 TH 452	WA10 M22520-3-1	121586-5069 995-0001-684	Foot pedal Gauge	TH 452 TH 452 TH 452

Contact size	Wire size		Hydraulic basic equipment	Crimp tool (2 of each required) hex Crimp die	Wrench #	Crimp Locator
	mm ²	AWG				
60/8 100/	10,0 – 2,0	8 – 14	Electro-hydraulic tool * HK12EL (order number: 121586-5075) Alternative	CT 121586-5231 Label: 01	5,2 mm	Optional device to be mounted on left hand crimp tools CT121586-5232
160/4	16,0 – 10,0	4 – 6	Hand operated hydraulic tool HK120 (order number: 121586-5077)	CT 121586-5230 Label: 02	7,25 mm	
500/0	50,0 – 16,0	0 – 4		CT 121586-5229 Label: 03	11,40 mm	

To insert the socket contact of size 15S/16S, 15/16/25 and 12, the following guiding pins are essential:

Part Nr.	Contact size AWG	metric
226-1017-000	16S/16	15S/15
226-1018-000	12	25

Order #s for Insertion Tools:

for contact size	Insertion tool	Insertion pliers
10	CIT-20*	CIT-F80-20
15S/16S/15/16	CIT-16*	CIT-F80-16
25/12	CIT-12*	CIT-F80-12
60/100/8	CIT-8*	
160/4	CIT-4*	
500/0	CIT-0*	

Order #s for Extraction Tools:

for contact size	Extraction tool
10	CET-F80-20*
15S/16S/15/16	CET-F80-16*
25/12	CET-F80-12*
60/100/8	CET-8*
160/4	CET-4*
500/0	CET-0*

Insertion Tool Kit CIT-F80-Kit (Contains full set of all #, plus handle)

Extraction Tool Kit CET-F80-Kit (Contains full set of all #, plus handle)

Notes

- For large series production, semi-automatic crimp machine Type HACS-IV-MSXX upon request
- For insertion and extraction of the contacts and for connector assembly, see Assembly Instructions MIL-C-5015/VG95234
- Standard contacts acc. to MIL-C-5015/VG95234

* Datasheet available upon request



Dimensions shown in inches (mm)
Specifications and dimensions subject to change

www.ittcannon.com

X-ON Electronics

Largest Supplier of Electrical and Electronic Components

Click to view similar products for [Gate Drivers](#) category:

Click to view products by [ITT](#) manufacturer:

Other Similar products are found below :

[00053P0231](#) [8967380000](#) [56956](#) [CR7E-30DB-3.96E\(72\)](#) [57.404.7355.5](#) [LT4936](#) [57.904.0755.0](#) [5803-0901](#) [58410](#) [5882900001](#) [00600P0005](#)
[00-9050-LRPP](#) [00-9090-RDPP](#) [5951900000](#) [01-1003W-10/32-15](#) [LTLA6E-1S-WH-RC-FN12VXCR1](#) [0131700000](#) [00-2240](#) [LTP70N06](#)
[LVP640](#) [0158-624-00](#) [5J0-1000LG-SIL](#) [020017-13](#) [LY1D-2-5S-AC120](#) [LY2-0-US-AC120](#) [LY2-US-AC240](#) [LY3-UA-DC24](#) [00-5150](#)
[00576P0020](#) [00600P0010](#) [LZNQ2M-US-DC5](#) [LZNQ2-US-DC12](#) [LZP40N10](#) [00-8196-RDPP](#) [00-8274-RDPP](#) [00-8275-RDNP](#) [00-8609-](#)
[RDPP](#) [00-8722-RDPP](#) [00-8728-WHPP](#) [00-8869-RDPP](#) [00-9051-RDPP](#) [00-9091-LRPP](#) [00-9291-RDPP](#) [0207100000](#) [0207400000](#) [60100564](#)
[01312](#) [0134220000](#) [6035](#) [M15730061](#)