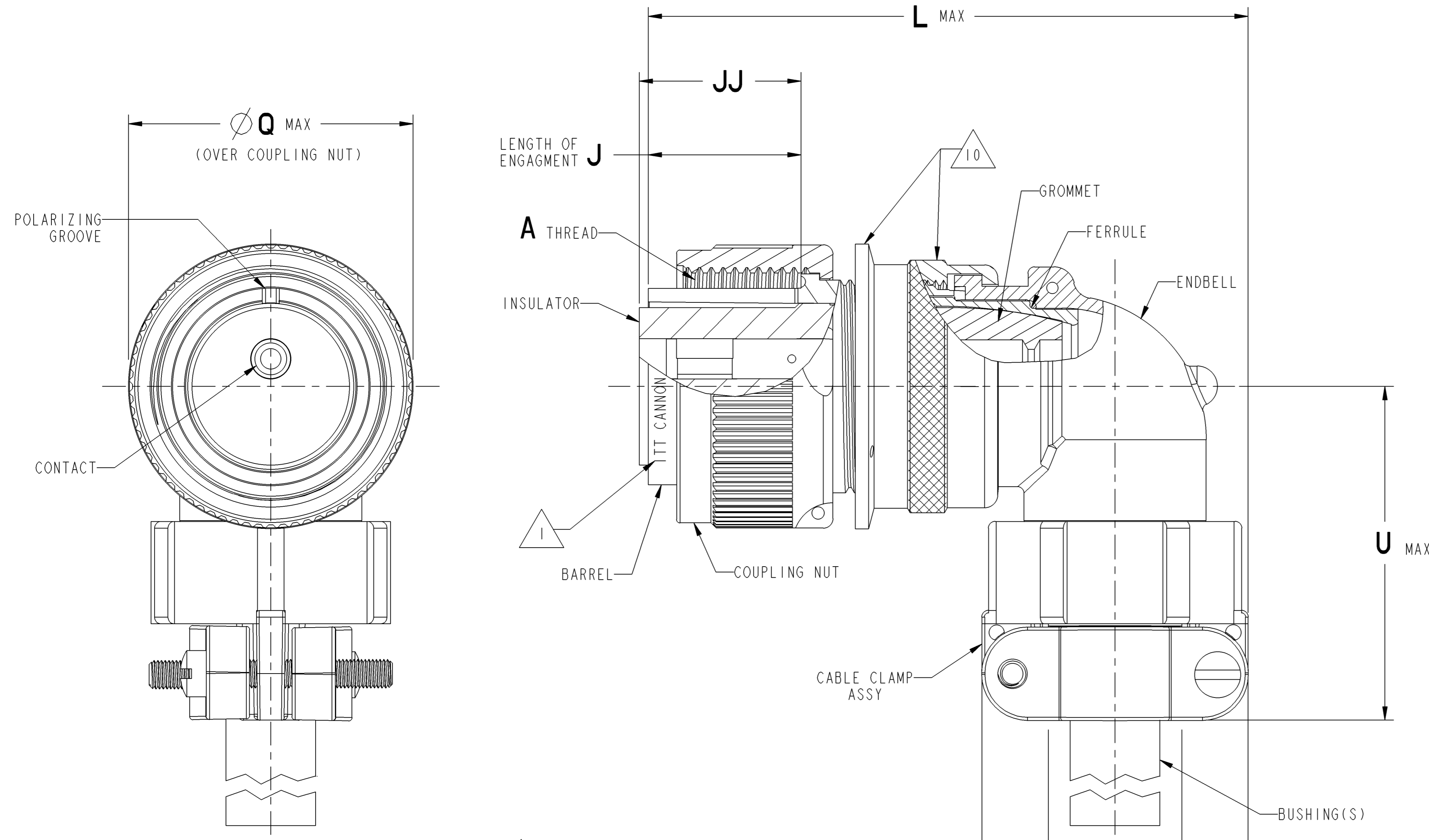
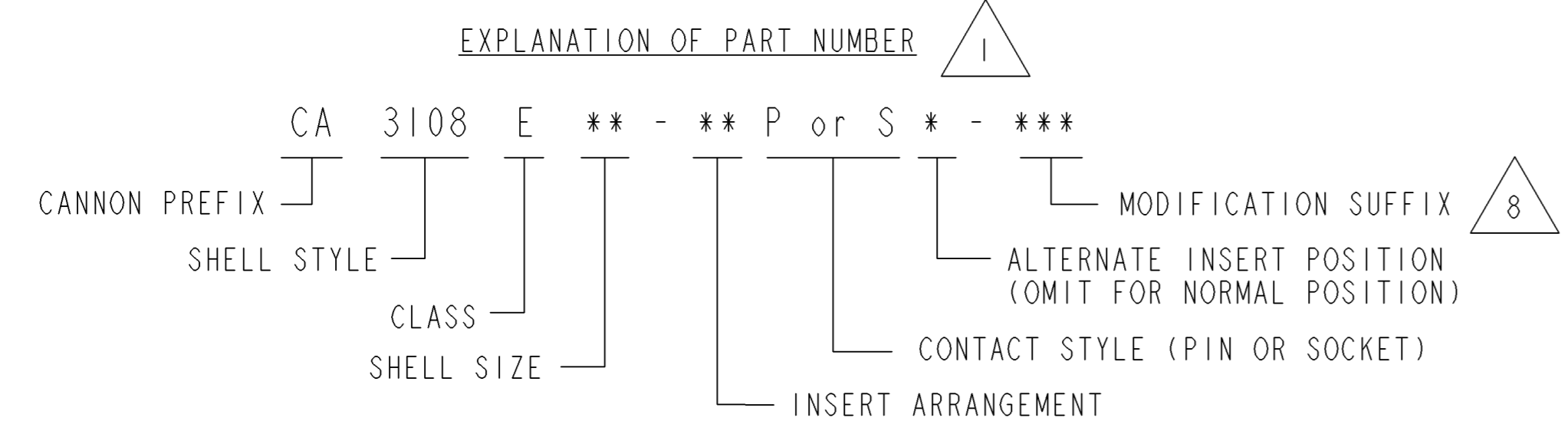


THIS IS ISSUED IN STRICT CONFIDENCE ON CONDITION THAT IT IS NOT USED AS A BASIS FOR MANUFACTURE OR SALE, AND THAT IT IS NOT COPIED, REPRINTED OR DISCLOSED TO A THIRD PARTY EITHER WHOLLY OR IN PART WITHOUT THE PRIOR WRITTEN CONSENT OF ITT CANNON.

DWG NO. 010380Y0001		REV 1	REV 1
REVISIONS			
REV	DESCRIPTION	DATE	APPROVAL

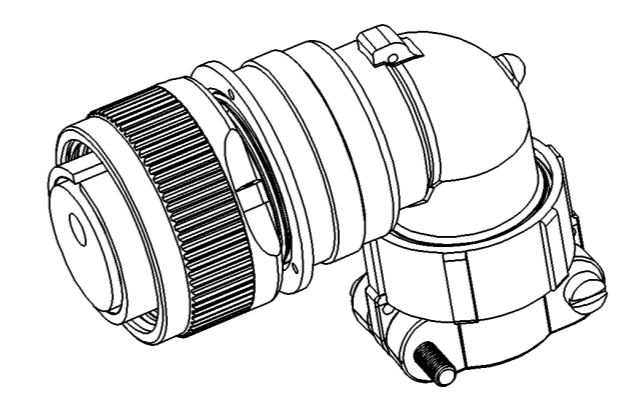


- NOTES: UNLESS OTHERWISE SPECIFIED
- MARK "ITT CANNON", IDENTIFICATION PART NUMBER AND DATE CODE, .047 MIN HIGH.
 - LUBRICATE INTERNAL COUPLING RING THREADS ONLY (NO EXTERNAL OR ENDBELL THREADS). ALSO LUBRICATE INTERNAL DIAMETER OF FERRULE LIGHTLY WITH MIL-G-23827 OR EQUIVALENT.
 - PLUGS SHIPPED AND STORED WITH ENDBELLS LOOSELY COUPLED.
 - FOR AVAILABLE INSERT ARRANGEMENTS, ALTERNATE POSITIONS, SERVICE RATINGS AND CONTACT SIZE, REFER TO MIL-STD-1651 OR CANNON CSA DWG'S OR CONSULT FACTORY.
 - THIS CONNECTOR MEETS THE REQUIREMENTS OF MIL-C-5015, CLASS E.
 - CONTACTS AND INSULATOR BONDED IN PLACE EXCEPT CONTACTS FOR CODE "F80" ARE NOT COATED WITH ADHESIVE AND ARE SUPPLIED WITH, BUT NOT INSTALLED IN CONNECTOR.
 - SOLDER POT MILL CUTS ORIENTED FACE UP WITH RELATION TO LETTERING ON REAR FACE OF INSULATOR.
 - EXPLANATION OF CODES-(TYP. EXAMPLES), CONSULT FACTORY FOR OTHER MODIFICATIONS.
 - A) A115 = HEAVY GOLD PLATE ON CONTACTS, .0001 MIN. THICKNESS OVER SILVER
 - B) C22 = RESILIENT PARTS OF SILICONE SYNTHETIC RUBBER
 - C) F0 = CONNECTOR WITHOUT CONTACTS
 - D) F74 = 1/16 GASKET UNDER COUPLING NUT
 - E) F80 = CRIMP CONTACTS
 - F) F84 = A115 CONTACTS WITH GASKET UNDER COUPLING NUT
 - G) F188 = CONNECTOR SUPPLIED WITH MS3420 BUSHING(S)
 - H) K130 = F80 + F188
 - THE ADDITION OF A CODE SUFFIX (A115, A95, ETC.) DENOTES A MATERIAL, PLATING OR A MECHANICAL VARIATION, PROHIBITS THE USE OF THE "MS" PREFIX. THEREFORE, WHEN A CODE IS USED, THE CONNECTOR WILL BE ASSIGNED A "CA" PART NUMBER.
 - THESE AREAS MAY DEVIATE SLIGHTLY FROM CONFIGURATION SHOWN DUE TO MANUFACTURING METHODS.
 - 1 BUSHING FOR SIZES 10SL, 12S, 16, AND 20, 2 BUSHINGS FOR SIZE 24.



9	11	BUSHING(S)		
8	1	GROMMET	POLYCHLOROPRENE PER QQ-R-3065	NONE
7	1	INSULATOR		
6	1	GLAND CLAMP ASSY. HARDWARE		
5	1	END BELL ASSY.	ALUMINUM ALLOY PER QQ-A-225 OR QQ-A-591	OLIVE DRAB CHROMATE OVER CADMIUM PER QQ-P-416, TYPE II, CLASS 3
4	1	BARREL		
3	1	NUT, COUPLING		
2	1	FERRULE	NYLON PER MIL-N-18352	NONE
1		CONTACT	COPPER ALLOY	SILVER PLATED PER QQ-S-365 (.0001 MIN.)
ITEM	NO. REQD.	DESCRIPTION	MATERIAL	FINISH

AIRBUS INDUSTRIES PART NUMBER	ITT CANNON PART NUMBER	ITT CANNON DRAWING NUMBER	SIZE	A THREAD CLASS-2B	Q MAX	J	Z MAX	U MAX	L MAX	X MAX	JJ
NSA938925CHIS	CA3108E10SL-3S-K130	024283-0224	10SL	5/8-24 UNEF	.969	.531	.895	1.281	2.188	.310	.578 .531
NSA938925CGIS	CA3108E12S-3S-K130	024284-0222	12S	3/4-20 UNEF	1.062	.531	.895	1.281	2.188	.310	.578 .531
NSA938925CFIS	CA3108E16-11S-K130	024289-0216	16	1-20 UNEF	1.250	.718	1.180	1.531	2.781	.560	.766 .719
NSA938925CVS	CA3108E16-10S-K130	024289-0246									.766 .719
NSA938925CMIS	CA3108E20-4S-K130	024291-0278	20	1 1/4-18 UNEF	1.469	.718	1.475	1.656	3.250	.748	.766 .719
NSA938925CMS	CA3108E24-10S-K130	024293-0236	24	1 1/2-18 UNEF	1.719	.718	1.715	1.890	3.719	.935	.766 .719



UNLESS OTHERWISE SPECIFIED:
 -DIMENSIONS AND TOLERANCES AS PER ASME Y14.5M-1994
 -DIMENSIONS ARE IN INCHES AND LMMJ.
 -REMOVE ALL BURRS AND SHARP EDGES .005 (0.13) MAX.
 -DO NOT SCALE DRAWING.

TOL DECIMALS
 .X ± .02 (0.51)
 .XX ± .01 (0.25)
 .XXX ± .005 (0.127)
 .XXXX ± .0005 (0.0127)

TOL ANGLES
 X° ± 1°
 SURFACE ROUGHNESS
 63 (1.6) ✓

CRITICAL DIM
 SPC DIM
 KEY CHARACTERISTIC

DRAWN Ian Long DATE 01-23-03 SURFACE AREA
 CHECKED Steve Nguyen DATE 01-31-03 REF
 APPROVED Neil Mahaffy DATE 01-31-03 PART NO SEE TABLE

SCALE 1.000
 CAGE CODE 71468
 ITT Industries
 ITT Cannon
 666 E. DYER RD, SANTA ANA, CA 92705

DESCRIPTION
**CONNECTOR, PLUG, ELECTRICAL,
 CA3108E-BS THRU 36
 AIRBUS #NSA938925**

3RD ANGLE PROJECTION
 SIZE D USE C SHEET 1 / 1
 DWG NO. 010380Y0001

X-ON Electronics

Largest Supplier of Electrical and Electronic Components

Click to view similar products for [Circular MIL Spec Connector](#) category:

Click to view products by [ITT](#) manufacturer:

Other Similar products are found below :

[0025-262-542](#) [0025-264-3014](#) [58-570121-04S](#) [0134-202-1200](#) [0134-207-1206](#) [0134-207-1800](#) [0134-207-2207](#) [0134-213-0806](#) [0134-213-1007](#) [0134-213-1009](#) [0134-213-1208](#) [0134-213-1800](#) [0134-213-2209](#) [0025-258-000](#) [015-9516-002](#) [60-042217-10P](#) [60-042722-19P](#) [0114-201-1278](#) [602GB06EG24-61SN](#) [0134-201-1207](#) [0134-201-1806](#) [0134-201-2006](#) [0134-201-2007](#) [0134-201-2010](#) [0134-202-1400](#) [0134-207-0809](#) [0134-207-1208](#) [0134-207-2009](#) [0134-213-1006](#) [6104-207-2302](#) [6104-208-1902](#) [6104-215-0902](#) [6131-202-19149P](#) [6131-204-21149P](#) [6131-207-13149P](#) [6131-208-13149P](#) [6131-209-17149P](#) [6131-210-11149P](#) [6131-211-19149P](#) [6131-216-19149P](#) [6131-220-25149P](#) [6131-259-11149P](#) [6131-259-21149P](#) [6131-259-23149P](#) [6131-263-19149P](#) [6131-265-17149P](#) [6131-265-19149P](#) [CS3102A-20-15P](#) [CS3102A-20-15S](#) [CS3102A-28-15S](#)