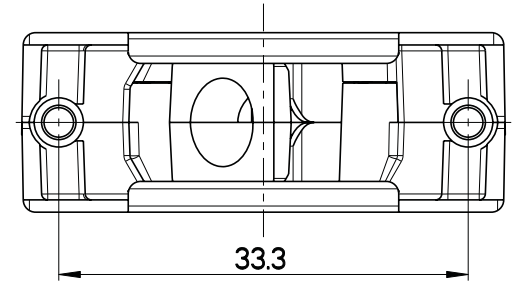
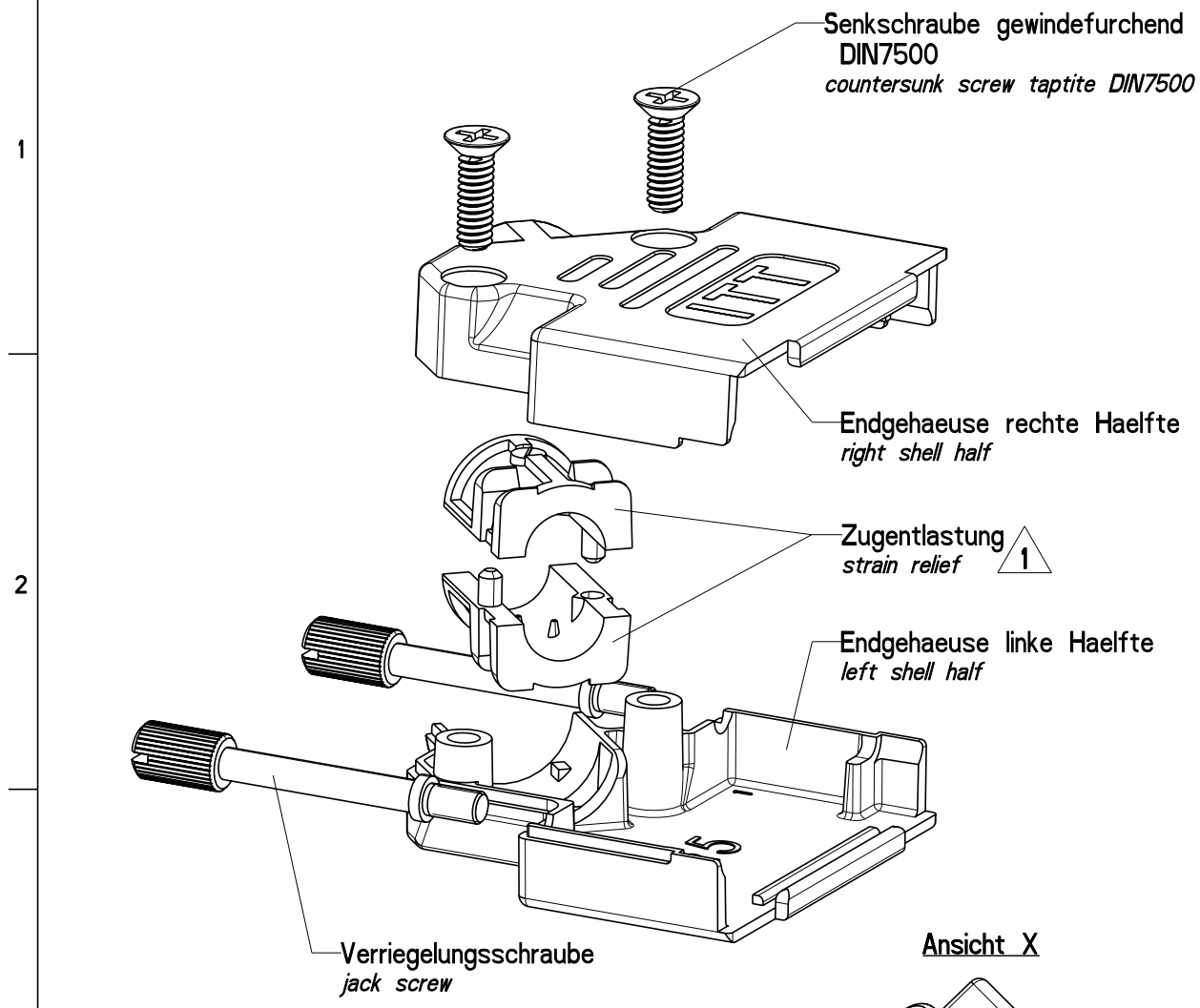
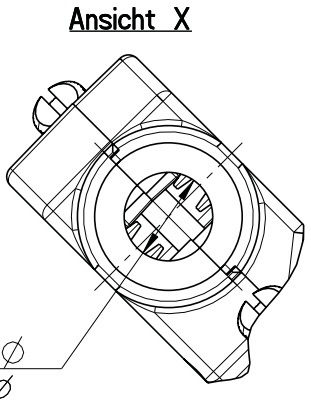
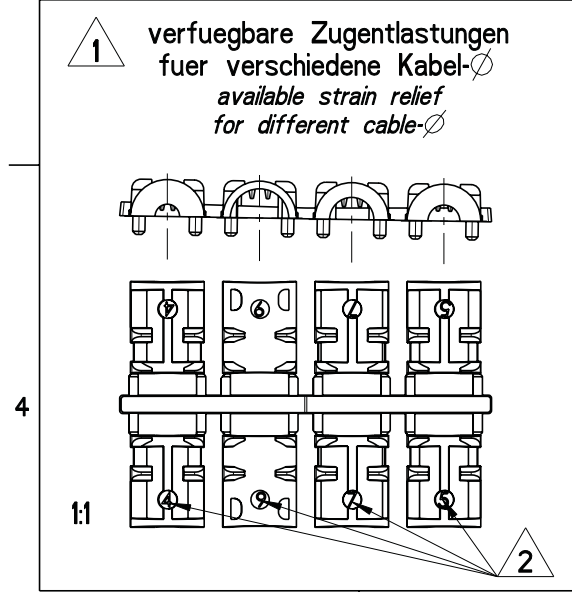
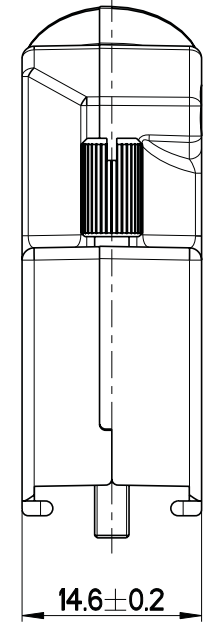
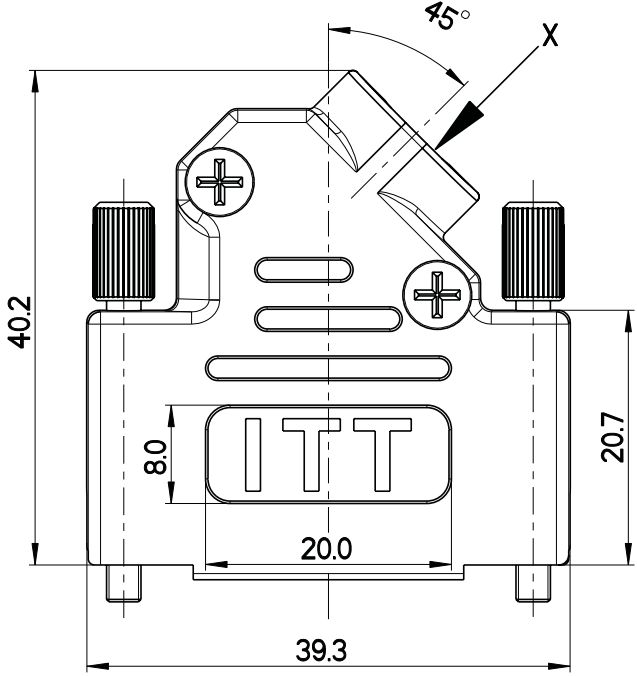


| ISSUE | REV.-NO. | DESCRIPTION  | DATE       | DRAWN   |
|-------|----------|--|------------|---------|
|       | 3369W    | Zeichnung in ProE neu erstellt / drawing create with PRO/E | 29.10.2008 | STR     |
| A     | 316281   | DESIGN TRANSFER TO USA BY LNT                              | 16.11.12   | J.MOORE |



| Art.-Nr./ order no. | Beschreibung/ description   |
|---------------------|---|
| 121073-7000         | Endgehaeuse mit 4-40UNC Gewinde Verr.-schrauben/ backshell with jackscrews thread 4-40UNC |
| 121073-7001         | Endgehaeuse mit M3 Gewinde Verr.-schrauben/ backshell with jackscrews thread M3           |



| max. Kabel-Ø / max. cable-Ø | Zugentlastungen/ strain reliefs |       |       |       |
|-----------------------------|---------------------------------|-------|-------|-------|
|                             | Nr. 4                           | Nr. 5 | Nr. 7 | Nr. 9 |
|                             | 4mm                             | 5.2mm | 7.2mm | 9.5mm |

Gehauesegroesse A (15polig, standard)  
shell size A (15-pole, standard)

|   |              |               |                                     |                           |
|---|--------------|---------------|-------------------------------------|---------------------------|
| MATERIAL: Zink-Legierung / zinc alloy           |              | HEAT TREAT: - | SURFACE: vernickelt / nickel-plated |                           |
| FREE SIZE SEE TABLE                             | > 0.3 ± 0.05 | > 6-30 ± 0.1  | ANGLE TOLERANCE                     | ± 0.5°                    |
| DIMENSIONS IN MM                                | > 3-6 ± 0.05 | > 30 ± 0.2    | SURFACE FINISH                      | Ra -1.1                   |
| SIZE NEEDED FOR A FUNCTION                      | ▲            |               |                                     |                           |
| SPC-DIMENSIONS                                  | ▲            |               |                                     |                           |
| DRAWN   | STR          | DATE          | 21.10.2008                          | FILENAME                  |
| CHECKED   | STR          | DATE          | 21.10.2008                          | REFERENCE                 |
| APPROVAL  | HAG          | DATE          | 21.10.2008                          | PARTNUMBER                |
|   |              |               |                                     | siehe Tabelle / see table |
| ITT Cannon GmbH<br>D-71384 Weinstadt<br>Germany |              | TITLE         |                                     |                           |
| SCALE   |              | 2:1           |                                     |                           |
| FORMAT  |              | SHEET         |                                     |                           |
| A3  |              | 1 / 1         |                                     |                           |
| DRAWING-NO.                                     |              |               |                                     | ISSUE                     |
| K026684Y0050                                    |              |               |                                     | A                         |

RoHS CODE : ROH

WORLD WIDE USAGE  
FOR DRAWING / DESIGN CHANGES  
REQUIRES AFFILIATE APPROVAL

TRANSFERRED FROM WEINSTADT, GERMANY  
DESIGN ACTIVITY/CONTROL, ITT Cannon LLC, USA  
666 EAST DYER ROAD, SANTA ANA, CA 92705  
CAGE CODE 7468

EXPORT CODE C

This document contains technical data that is subject to export controls under the Export Administration Act and Export Administration Regulations (15 CFR 730, et seq.). Any transfer of this data to non-US persons or to any location outside the United States must be in compliance with the Export Administration Regulations.

## X-ON Electronics

Largest Supplier of Electrical and Electronic Components

*Click to view similar products for [D-Sub Backshells](#) category:*

*Click to view products by [ITT](#) manufacturer:*

Other Similar products are found below :

[M85049/6-38N](#) [M85049/86-12N03](#) [M85049/90-13P03](#) [70.350.0636.4](#) [70.350.2435.1](#) [72.350.1035.2](#) [72.352.2435.1](#) [73.359.4035.3](#) [829472-1](#)  
[PCS-E20W](#) [970-015-040R011](#) [970-025-040R011](#) [971-009-030R121](#) [971-009-040R011](#) [971-015-040R011](#) [1437013-9](#) [1484402-8](#) [156-3025-](#)  
[EX](#) [16-500800](#) [165X02659X](#) [165X03329A](#) [165X03399A](#) [165X10259X](#) [165X11759X](#) [165X11889X](#) [165X13019X](#) [165X13029X](#)  
[165X13169X](#) [165X13199X](#) [165X13239X](#) [165X13389X](#) [165X13489X](#) [165X14219X](#) [165X14449X](#) [165X17409X](#) [165X17439X](#)  
[165X17569X](#) [165X17599X](#) [165X17609X](#) [165X17889X](#) [165X17979X](#) [L171373](#) [971-025-030R121](#) [300X10989X](#) [165X02609X](#)  
[165X02639X](#) [165X02689X](#) [165X04219A](#) [165X10469X](#) [165X11279X](#)