



Search:



Products

Catalogs

Search

Customer Support

About Cannon

Home



D Subminiature Accessories



PART NUMBER: DB19977-2

Image Disclaimer:
Please use Customer Drawing for design activity: line art and other pictures are general representations of product dimensions.

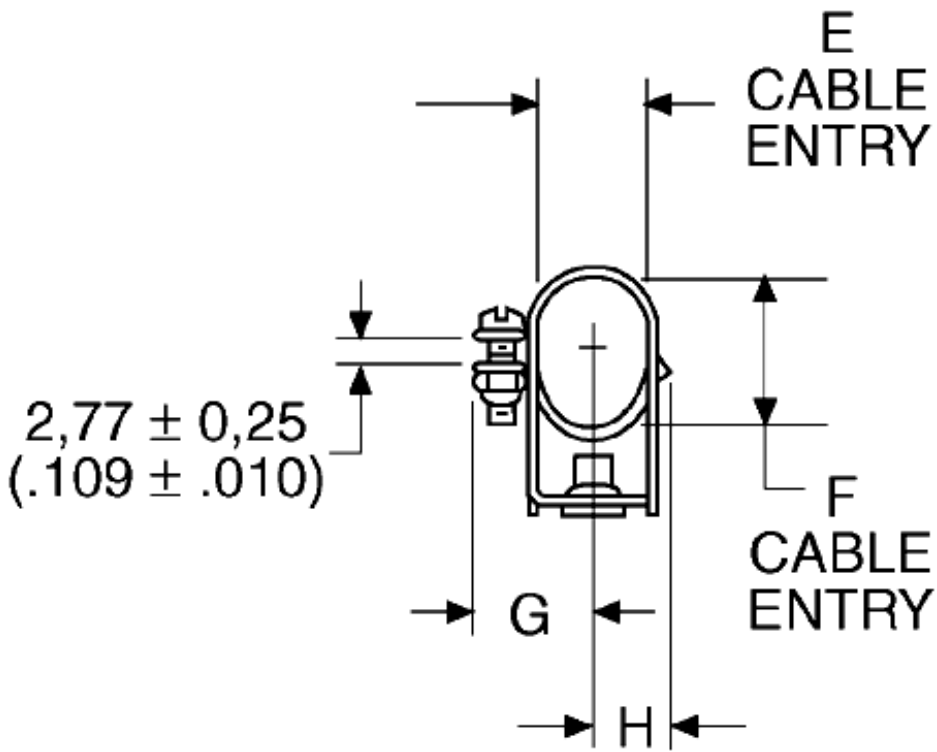
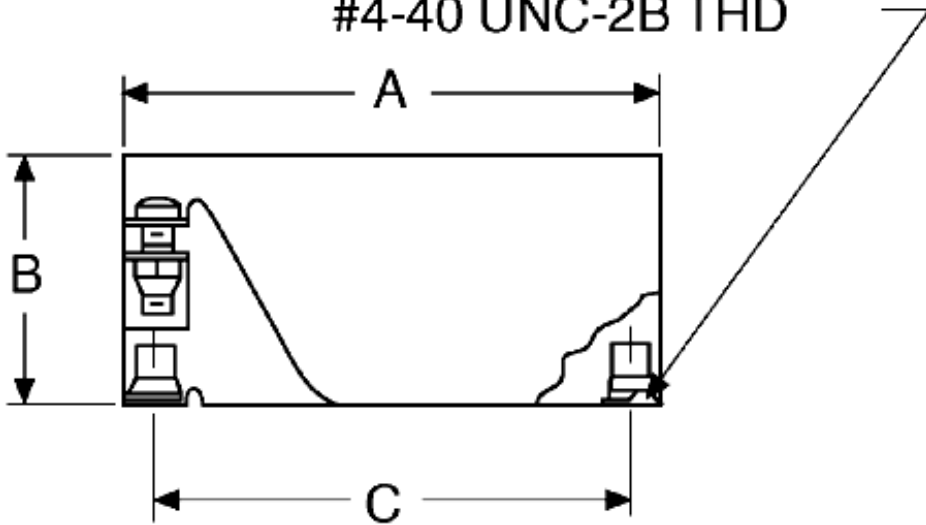


[View Line Drawings](#)

- [Sales Support](#)
- [Ask a Specialist](#)
- [Product Home](#)
- [Stock Check](#)

Product Group	D Subminiature Accessories
Where Sold	Asia Pacific, Europe, Americas
D Sub Accessory type	Metal Endbell
Application Type	Commercial, Military/High Reliability
Shell Size	DB
Cable Exit	90 Degree Cable Exit
Endbell Material	Low Carbon Steel
Endbell Finish	Yellow chromate over cadmium
Hardware Material	Steel
Cable Entry	Ø15,88 (.625)
Dimension A	52,78 (2.078) ±0,38 (.015)
Dimension B	24,58 (.968) ±0,76 (.030)
Dimension C	47,04 (1.852) ±0,13 (.005)
Dimension E	11,10 (.437) ±0,76 (.030)
Dimension F	15,88 (.625) ±0,76 (.030)
Dimension G	11,89 (.468) ±0,76 (.030)
Dimension H	7,14 (.281) ±0,76 (.030)
Note	Kit consists of 1 shell, 1 cable clamp, 1 screw, 1 nut, 2 rivnuts (assembled)
Footnote	Dimension are shown in mm (inch). Dimensions subject to change.
For more information	Please Contact Cannon Sales Department.
MIL-SPEC Part Number	M85049/50-3

2X MOUNTING HOLES
#4-40 UNC-2B THD



X-ON Electronics

Largest Supplier of Electrical and Electronic Components

Click to view similar products for [Rack & Panel Connectors](#) category:

Click to view products by [ITT](#) manufacturer:

Other Similar products are found below :

[00170420102](#) [00171420202](#) [00171440002](#) [008026165000265](#) [00-8219-072-000-112P44](#) [008219072000112P5](#) [008219072000112P61](#) [00-8223-096-580-102](#) [02-014-013-5200-000](#) [00-8129-015-610-108](#) [613467-000](#) [CTJ112E01E-513](#) [CTJ116E03A-513](#) [CTJ720E01B-513](#) [L/C](#) [M81714/63-22S](#) [L/C](#) [M81714/65-12-1](#) [66020-2](#) [CW8958-000](#) [699886-000](#) [D250-50632](#) [70.400.3240.0](#) [70.955.2453.3](#) [733753-000](#) [F22831-000](#) [780-522-DPX34RG8-02](#) [MMA25-0051R1](#) [MMA25-0341D1](#) [8660-501](#) [87.060.0053.0](#) [900709N001](#) [QRP4-12P-C\(01\)](#) [QR/P6-6S-C\(01\)](#) [AC-600003-004](#) [1218600-1](#) [D-659-0061](#) [DMC-MD 24 C-T](#) [1-445717-6](#) [1484398-2](#) [1484399-2](#) [1484469-2](#) [MR-34MG](#) [1484225-1](#) [1484398-1](#) [1484510-4](#) [1604997-2](#) [1663130-1](#) [1663767-7](#) [1663767-8](#) [MTC100-BF1-P31CS015](#) [MTC100-KT2-0083](#)