



Interconnect Solutions
Canon, VEAM, BIW

D Subminiature Accessories



Engineered for life

Cannon, VEAM, BIW

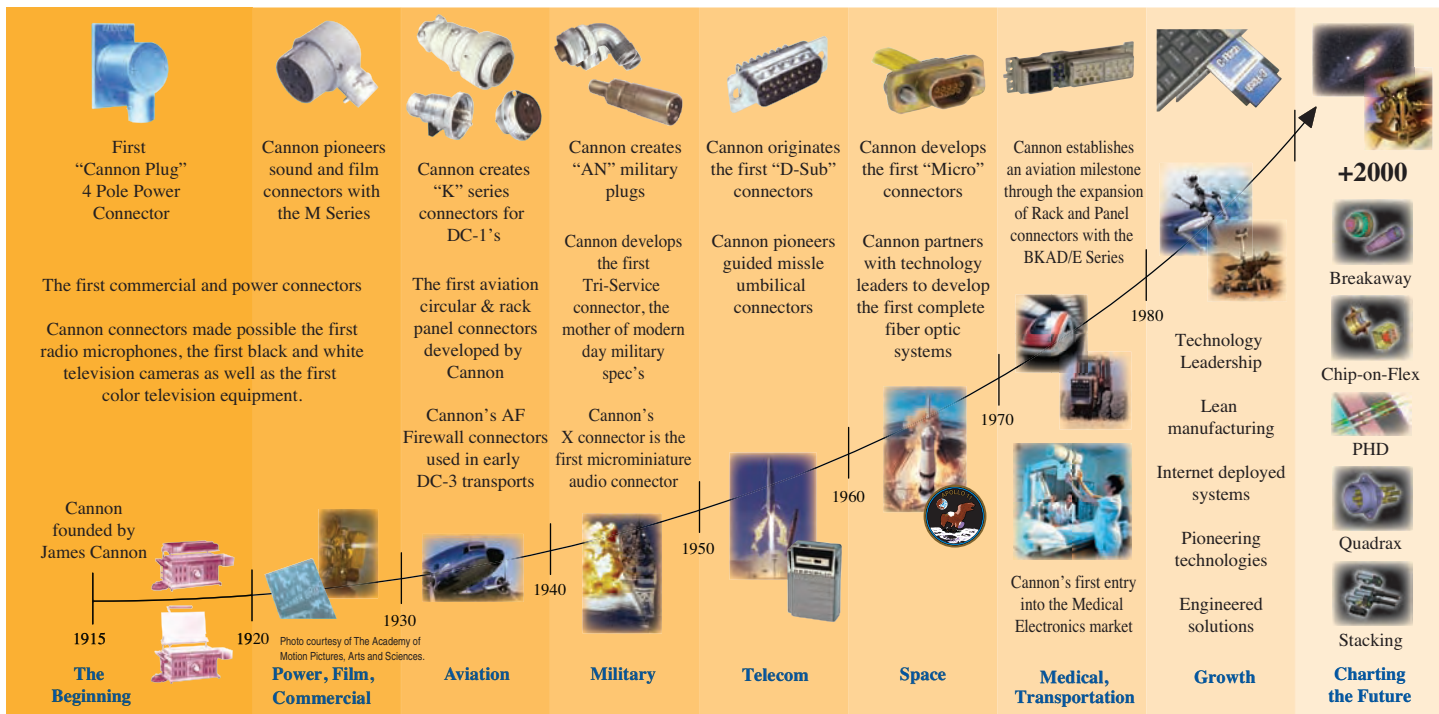
A Historical Achievement of Technology Leadership

Defining and Championing Innovation

Showcasing a portfolio of creativity, ITT's "Engineered For Life" execution embraces products which have become ubiquitous in a broad collection of markets including: Military/Aerospace, Civil Aircraft, Industrial Instrumentation, Medical, Oil & Gas, Energy, Transportation, Telecom/Handset, Computer, Consumer, and Automotive.

ITT's rich interconnect history embraces contributions to both technological breakthroughs and social movements. With one of the industry's broadest product offerings, ITT's interconnect products have supported:

- Every Free World space mission, bringing the universe to our doorstep.
- Motion picture, radio, and television equipment, serving laughter and entertainment to millions.
- Commercial and military communications systems, linking the voices of the world.
- Computerized tools, reshaping the information highway.
- Aircraft, rapid transit, and automobiles, mobilizing our expanding society.
- Oil and natural gas production, powering the world's economies.
- Agricultural equipment, attacking the roots of world hunger.



Cannon D Subminiature Accessories

Table of Contents

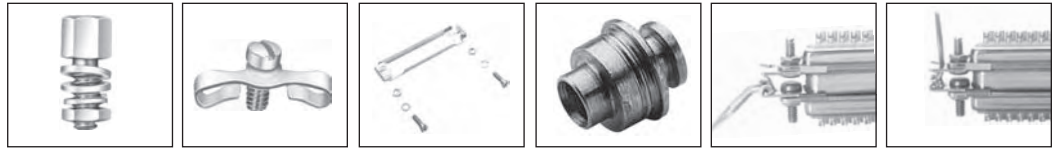
Description

D Subminiature Accessories

| | |
|--|--------|
| Accessory Selection Guide | 2-3 |
| • Metal Backshell | |
| Die Cast Zinc, EMI Shielded Straight Exit | 4 |
| Metal Backshell Straight Exit | 5 |
| Metal Backshell 45° Exit | 15 |
| Clamps | 7-8 |
| • Plastic Backshell | |
| Snap-Together Metalized Plastic, EMI Shielded | 9 |
| Locking Hardware for Snap-Together Plastic Backshell | 10 |
| Low Cost Metalized Plastic, Straight Exit | 10 |
| Snap-Together Universal | 11 |
| One-Piece Snap-Together | 11 |
| One-Piece Straight Exit | 12 |
| One-Piece Plastic, 90° Exit | 12 |
| • Locking Hardware | |
| Screw Lock Assemblies | 13-14 |
| Slide Lock Assemblies | 15 |
| Spring Latch Assemblies | 16 |
| Jackscrew/Jackpot Assemblies | 17 |
| • Guide Pin Plate | |
| Female Guide Pin Plate | 18 |
| Male Guide Pin Plate | 19 |
| • Connector Saver | |
| High Reliability Connector Saver | 20 |
| • Miscellaneous | |
| Polarizing Plates | 21 |
| Right Angle Brackets | 21 |
| Wire Hole Fillers | 21 |
| Dust Cap | 22 |
| Interfacial Seal | 22 |
| Potting Shell | 22 |
| Part Number Index | 23 |
| Product Safety Warranty | 25 |

Cannon D-Subminiature Accessories

Selection Guide



Locking Hardware

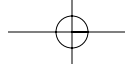
| Backshell | Style | Female Screw Lock see page 14 | Male Screw Lock see page 13 | Sliding Lock Retainer see page 15 | Slide Lock Post see page 15 | Spring Latch Plate see page 16 | Spring Latch see page 16 |
|--------------|---|----------------------------------|--------------------------------|---|--------------------------------|-----------------------------------|-----------------------------|
| EMI Shielded | Snap-Together Metalized Plastic Straight Exit see page 9 | — | — | — | — | — | — |
| EMI Shielded | Snap-Together Metalized Plastic 50° Exit see page 9 | — | — | — | — | — | — |
| EMI Shielded | Die Cast Zinc Metal see page 4 | — | ▲ | — | — | — | — |
| Metal | Metal Backshell 45° Exit see page 4 | — | — | — | — | — | — |
| Metal | Deep Straight Clamp see page 7 | • | • | • | • | • | • |
| Metal | Round Cable Clamp see page 7 | • | • | • | • | • | • |
| Metal | Short Straight Clamp see page 8 | • | • | • | • | • | • |
| Metal | 90° Entry see page 8 | • | • | • | • | • | • |
| Plastic | Snap-Together Universal see page 11 | • | • | — | — | — | — |
| Plastic | One-Piece Snap-Together see page 11 | — | ▲ | — | — | — | — |
| Plastic | One-Piece Plastic Straight Exit see page 12 | — | — | • | • | • | • |
| Plastic | One-Piece Plastic 90° Exit see page 12 | — | — | • | • | • | • |

- ▲ Supplied with backshell
- Optional compatible locking hardware
- Not compatible



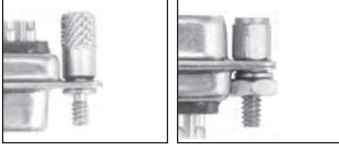
Dimensions shown in mm (inch)
Specifications and dimensions subject to change

www.ittcannon.com



Cannon D-Subminiature Accessories

Selection Guide

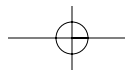


Locking Hardware

| Jackscrew Assembly see page 17 | Jackpost Assembly see page 17 | Recessed Jackscrew see page 10 | Extended Jackscrew see page 10 | Thumbscrew see page 10 | Jackpost for In-Line Connections see page 10 |
|-----------------------------------|----------------------------------|-----------------------------------|-----------------------------------|---------------------------|--|
| — | — | • | • | • | • |
| — | — | • | • | • | • |
| — | — | — | — | — | — |
| — | — | — | — | — | — |
| — | • | — | — | — | — |
| — | • | — | — | — | — |
| — | • | — | — | — | — |
| — | — | — | — | — | — |
| — | — | — | — | — | — |
| — | — | — | — | — | — |
| — | — | — | — | — | — |
| — | — | — | — | — | — |
| — | — | — | — | — | — |
| — | — | — | — | — | — |

Dimensions shown in mm (inch)
Specifications and dimensions subject to change

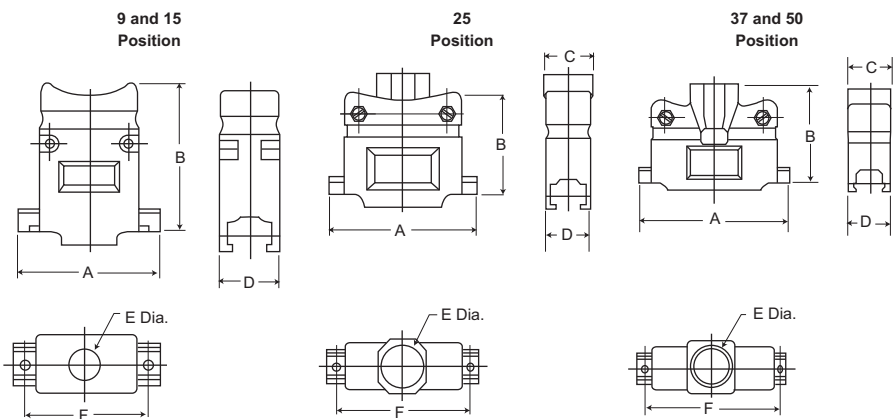
www.ittcannon.com



Cannon D-Subminiature Accessories

Metal Backshell

Die Cast Zinc Backshell, Straight Exit, EMI Shielded



Die cast metal backshells reduce EMI/RFI emissions. Die cast metal backshells offer improved shielding in a rugged package.

Product Features

- Improves conformance to FCC DOC #20780 shielding requirements
- No crimp ferrule tooling needed
- Kit consists of 1 front shell, 1 rear shell, 2 screws, 2 hex nuts, 2 mounting screws, 2 end brackets, 1 set of compression inserts

| Shell Size | Layout | Part Number | A ±0,13 (.005) | B ±0,13 (.005) | C ±0,13 (.005) | D ±0,13 (.005) | øE ±0,13 (.005) | F ±0,13 (.005) |
|------------|--------|--------------|-------------------|-------------------|-------------------|-------------------|--------------------|-------------------|
| DE | 9 | 980-2000-345 | 31,12 (1.225) | 37,21 (1.465) | 15,75 (.620) | 15,75 (.620) | 10,16 (.400) | 24,99 (.984) |
| DA | 15 | 980-2000-346 | 39,12 (1.540) | 40,64 (1.600) | 15,75 (.620) | 15,75 (.620) | 10,16 (.400) | 33,32 (1.312) |
| DB | 25 | 980-2000-347 | 53,09 (2.090) | 39,37 (1.550) | 17,53 (.690) | 15,75 (.620) | 13,34 (.525) | 47,17 (1.857) |
| DC | 37 | 980-2000-348 | 69,34 (2.730) | 45,72 (1.800) | 21,95 (.864) | 15,75 (.620) | 18,44 (.726) | 63,50 (2.500) |
| DD | 50 | 980-2000-349 | 66,70 (2.626) | 45,72 (1.800) | 21,95 (.864) | 18,54 (.730) | 18,44 (.726) | 61,11 (2.406) |

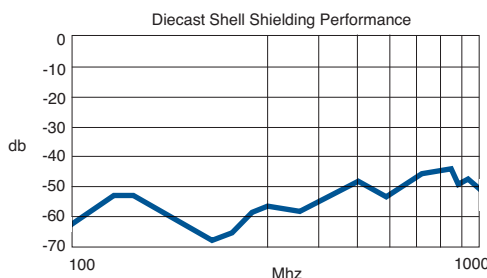
Specifications

| | |
|--------------------|------------------|
| Attenuation: | -50 dB @ 1000MHz |
| Temperature Range: | -20° C to 80° C |

Materials and Finishes

| | |
|----------------------|------------|
| Backshell Material: | Zinc |
| Backshell Finish: | Clear Zinc |
| Compression Inserts: | PVC |
| Hardware Material: | Steel |
| Hardware Finish: | Clear Zinc |

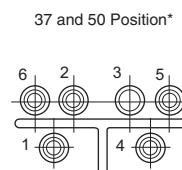
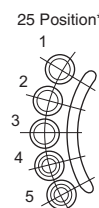
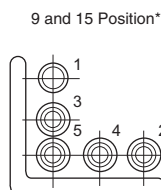
Attenuation



Compression inserts (included with die cast zinc metal backshell)

Compression inserts accommodate a wide variety of cable sizes.

| Position | Cable Diameter |
|----------|------------------------|
| 9,15 | 4,83/8,89 (.190/.350) |
| 25 | 4,83/11,68 (.190/.460) |
| 37,50 | 7,62/17,27 (.300/.680) |



* Inserts may be supplied mirror image.

| Position | #1 | | #2 | | #3 | | #4 | | #5 | | #6 | |
|----------|--------------|--------------|--------------|--------------|--------------|--------------|--------------|--------------|--------------|--------------|--------------|-------------|
| | O.D. | I.D. | O.D. | I.D. | O.D. | I.D. | O.D. | I.D. | O.D. | I.D. | O.D. | I.D. |
| 9,15 | 12,07 (.475) | 8,13 (.320) | 9,14 (.360) | 8,00 (.315) | 9,14 (.360) | 6,48 (.255) | 9,14 (.360) | 7,24 (.285) | 9,14 (.360) | 5,33 (.210) | — | — |
| 25 | 15,24 (.600) | 11,43 (.450) | 11,43 (.450) | 10,41 (.410) | 11,43 (.450) | 9,40 (.370) | 11,43 (.450) | 7,62 (.300) | 11,43 (.450) | 5,84 (.230) | — | — |
| 37,50 | 16,64 (.655) | 14,48 (.570) | 17,78 (.700) | 15,75 (.620) | 20,57 (.810) | 16,51 (.650) | 16,64 (.655) | 12,70 (.500) | 16,64 (.655) | 10,80 (.425) | 16,64 (.655) | 8,89 (.350) |



Dimensions shown in mm (inch)
Specifications and dimensions subject to change

www.ittcannon.com

Cannon D-Subminiature Accessories

Metal Backshell

Metal Backshell Straight Exit

The new Cannon Metal Backshells D*FM series for D-Subminiature Connectors offers protection from magnetic and radio interferences to cable assemblies.

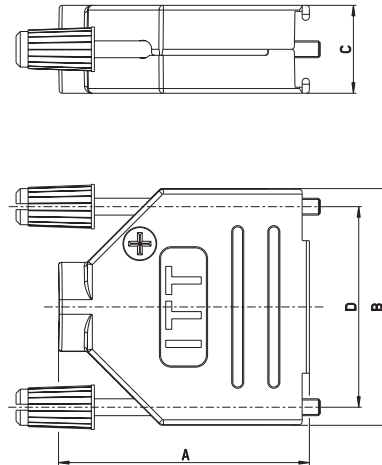
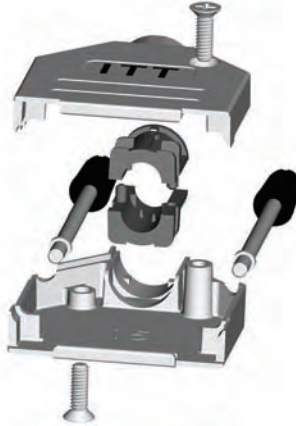


This backshell series is characterized by simple assembly and fit for industrial and telecom applications.

Product Features:

- No crimp ferrule tooling needed
- Material: Zinc, blue chromated
- Unique metal filled plastic cable strain relief guarantees 360° shielding
- RoHS compliant
- -40 - +120°C temperature range
- Corrosion resistant

Size 15



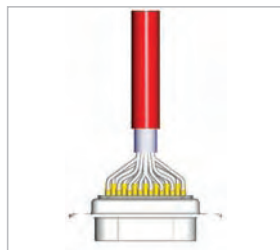
| Part Description With #4-40 UNC JackscREW | Part Description With M3 JackscREW | Shell Size | A | B | C | D | Cable Diameter |
|---|--|---------------|---------------------|--------------------|--------------------|--------------------|-------------------|
| DEFME-101 | DEFMX-101 | Size 9 | 39,55mm [1.555inch] | 31,3mm [1.232inch] | 14,6mm [0.575inch] | 25,0mm [0.984inch] | 4 - 9mm |
| DAFME-101 | DAFMX-101 | Size 15 | 41,7mm [1.642inch] | 39,3mm [1.547inch] | 14,6mm [0.575inch] | 33,3mm [1.311inch] | 4 - 9mm |
| DBFME-101 | DBFMX-101 | Size 25 | 49,0mm [1.929inch] | 53,5mm [2.106inch] | 14,6mm [0.575inch] | 47,0mm [1.850inch] | 4 - 9mm |
| DCFME-101 | DCFMX-101 | Size 37 | 53,3mm [1.098inch] | 69,7mm [2.744inch] | 14,6mm [0.575inch] | 63,5mm [2.500inch] | 4 - 9mm |

Kit consists of 1 front shell, 1 rear shell, 4 strain reliefs, 2 mounting crosshead screws, and 2 jack screws.

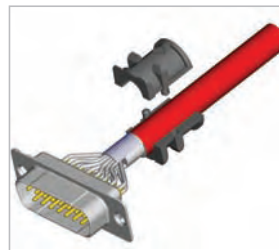
Assembly instructions Size 9, 15, 25, 37



Use two halves of strain relief (different sizes can be mixed)



Strip cable 18mm and shape cable to two pigtailed



Attach the strain relief around the cable



Bend cable shielding back on outside of strain relief

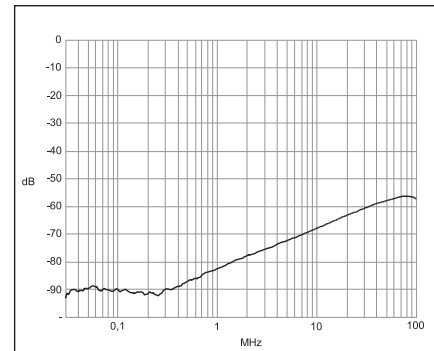


Mount connector and cable into the backshell



Assemble the other half (screwing force: 100-120 Ncm)

Attenuation curve



Dimensions shown in mm (inch)
Specifications and dimensions subject to change

www.ittcannon.com



Cannon D-Subminiature Accessories

Metal Backshell

Metal Backshell 45° Exit

The new Cannon Metal Backshells D*FM series for D-Subminiature Connectors offers protection from magnetic and radio interferences to cable assemblies.



This backshell series is characterized by simple assembly and fit for Industrial and telecom applications.

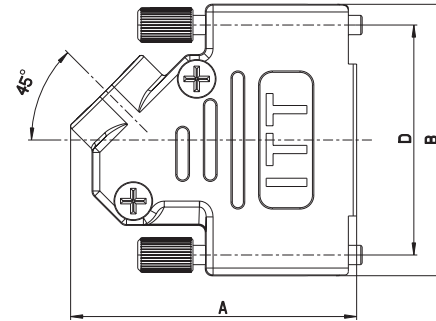
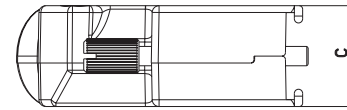
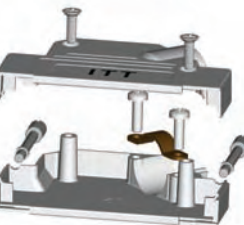
Product Features:

- No crimp ferrule tooling needed
- Material: Zinc, blue chromated
- Unique metal filled plastic cable strain relief guarantees 360° shielding
- RoHS compliant
- -40 - +120°C temperature range
- Corrosion resistant

Size 15



Size 50



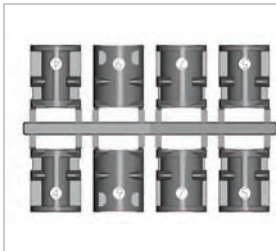
| Part Description With #4-40 UNC Jackscrew | Part Description With M3 Jackscrew | Shell Size | A | B | C | D | Cable Diameter |
|---|------------------------------------|------------|--------------------|--------------------|--------------------|--------------------|----------------|
| DEFME-100 | DEFMX-100 | Size 9* | 37,5mm [1.476inch] | 35,5mm [1.398inch] | 14,6mm [0.575inch] | | 4 - 9mm |
| DAFME-100 | DAFMX-100 | Size 15** | 41,5mm [1.634inch] | 39,5mm [1.555inch] | 14,6mm [0.575inch] | 33,3mm [1.311inch] | 4 - 9mm |
| DBFME-100 | DBFMX-100 | Size 25** | 41,5mm [1.634inch] | 53,5mm [2.106inch] | 14,5mm [0.571inch] | 47,0mm [1.850inch] | 4 - 9mm |
| DCFME-100 | DCFMX-100 | Size 37** | 41,5mm [1.634inch] | 70,0mm [2.756inch] | 14,5mm [0.571inch] | 63,5mm [2.500inch] | 4 - 9mm |
| DDFME-100 | DDFMX-100 | Size 50*** | 45,0mm [1.772inch] | 67,5mm [2.657inch] | 17,4mm [0.69inch] | 61,0mm [2.402inch] | 13-16mm |

*Size 9 Backshell: Kit consists of 1 front shell, 1 rear shell, 4 strain reliefs, 2 mounting crosshead screws, 1 jack screw

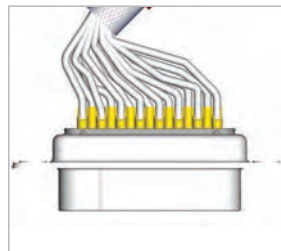
**Size 15, 25, 37 Backshell: Kit consists of 1 front shell, 1 rear shell, 4 strain reliefs, 2 mounting crosshead screws, 2 jack screws

***Size 50 Backshell: Kit consists of 1 front shell, 1 rear shell, 1 cable clamp, 4 mounting crosshead screws, 2 jack screws

Assembly instructions Size 9, 15, 25, 37



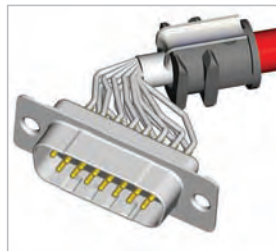
Use two halves of strain relief (different sizes can be mixed)



Strip cable 18mm and shape cable to two pigtails



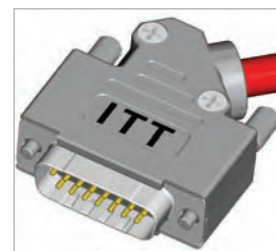
Attach the strain relief around the cable



Bend cable shielding back on outside of strain relief

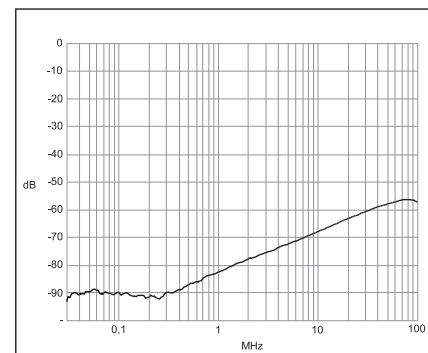


Mount connector and cable into the backshell



Assemble the other half (screwing force: 100-120 Ncm)

Attenuation curve



Dimensions shown in mm (inch)
Specifications and dimensions subject to change

www.ittcannon.com

Cannon D-Subminiature Accessories

Metal Backshell

Metal Backshell

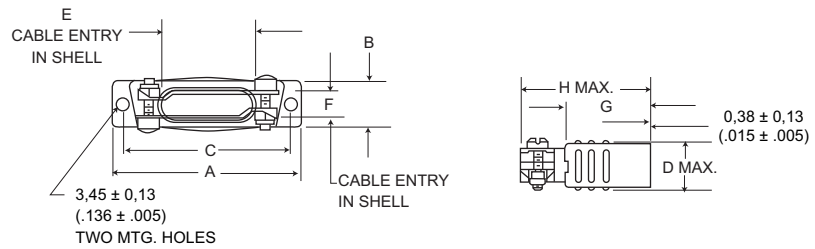
Metal Backshells provide strain relief. Various profiles available for different cable routing requirements.

Product Features
Qualified to MIL-Spec M85049

Materials and Finishes

| | |
|---------------------|---|
| Backshell Material: | Low Carbon Steel or Brass |
| Backshell Finish: | Chromate over Cadmium (Mil Spec) or Zinc (RoHS) |
| Hardware Material: | Steel |

Deep Straight Clamp



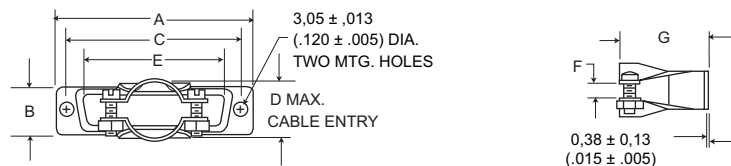
- Kit consists of 1 shell, 2 cable clamps, 2 screws, 2 hex nuts.

| Shell Size | RoHS Compliant Part Number | Mil-Spec Parts (Brass) | | Brass | |
|------------|----------------------------|------------------------|-------------|---------------------------|-------------|
| | | Mil-Spec Part Number | Part Number | 50 μ in. Gold over Copper | Part Number |
| DE | DE24657-29 | M85049/48-1-6F | DE24657-5 | DE24657-16 | |
| DA | DA24658-28 | M85049/48-1-7F | DA24658-2 | DA24658-15 | |
| DB | DB24659-27 | M85049/48-1-8F | DB24659-2 | DB24659-15 | |
| DC | DC24660-27 | M85049/48-1-9F | DC24660-11 | DC24660-16 | |
| DD | DD24661-27 | M85049/48-1-10F | DD24661-4 | DD24661-13 | |

| Shell Size | Layout | Part Number | Mil Spec Part Number* | A ±0.38 (.015) | B ±0.572 (.0225) | C ±0.38 (.015) | D max. | E ±0.38 (.015) | F ±0.38 (.015) | G ±0.38 (.015) | H max. |
|------------|--------|-------------|-----------------------|----------------|------------------|----------------|--------------|----------------|----------------|----------------|---------------|
| DE | 9 | DE24657 | M85049/48-1-1F | 30.56 (1.203) | 12.484 (.4915) | 24.99 (.984) | 14.68 (.578) | 9.53 (.375) | 9.53 (.375) | 19.05 (.750) | 31.75 (1.250) |
| DA | 15 | DA24658 | M85049/48-1-2F | 38.89 (1.531) | 12.484 (.4915) | 33.32 (1.312) | 14.68 (.578) | 18.11 (.713) | 7.93 (.312) | 19.05 (.750) | 31.75 (1.250) |
| DB | 25 | DB24659 | M85049/48-1-3F | 52.78 (2.078) | 12.484 (.4915) | 47.04 (1.852) | 14.68 (.578) | 25.40 (1.000) | 7.93 (.312) | 25.40 (1.000) | 39.70 (1.563) |
| DC | 37 | DC24660 | M85049/48-1-4F | 69.04 (2.718) | 12.484 (.4915) | 63.50 (2.500) | 14.68 (.578) | 34.93 (1.375) | 7.93 (.312) | 25.40 (1.000) | 39.70 (1.563) |
| DD | 50 | DD24661 | M85049/48-1-5F | 66.68 (2.625) | 15.253 (.6005) | 61.11 (2.406) | 17.45 (.578) | 35.71 (1.406) | 10.31 (.406) | 28.57 (1.125) | 42.88 (1.688) |

* Parts ordered with no suffix or "Z" suffix will be substituted with "F" suffix.

Round Cable Clamp



- Kit consists of 1 shell, 2 cable clamps, 2 screws, 2 hex nuts.

| Shell Size | RoHS Compliant Part Number | Mil-Spec Parts (Brass) | | Brass | |
|------------|----------------------------|------------------------|-------------|---------------------------|-------------|
| | | Mil-Spec Part Number | Part Number | 50 μ in. Gold over Copper | Part Number |
| DE | DE44994-14 | M85049/48-2-6F | DE44994-3 | DE44994-2 | |
| DA | DA20961-26 | M85049/48-2-7F | DA20961-3 | DA20961-16 | |
| DB | DB20962-30 | M85049/48-2-8F | DB20962-8 | DB20962-18 | |
| DC | DC20963-27 | M85049/48-2-9F | DC20963-8 | DC20963-17 | |
| DD | DD20964-32 | M85049/48-2-10F | DD20964-8 | DD20964-19 | |

| Shell Size | Layout | Part Number | Mil Spec Part Number* | A ±0.38 (.015) | B ±0.572 (.0225) | C ±0.38 (.015) | D max. | E ±0.38 (.015) | F ±0.38 (.015) | G ±0.38 (.015) |
|------------|--------|-------------|-----------------------|----------------|------------------|----------------|--------------|----------------|----------------|----------------|
| DE | 9 | DE44994 | M85049/48-2-1F | 30.68 (1.208) | 12.70 (.500) | 24.99 (.984) | 10.31 (.406) | 16.79 (.661) | 3.18 (.125) | 26.18 (1.031) |
| DA | 15 | DA20961 | M85049/48-2-2F | 38.89 (1.531) | 12.70 (.500) | 33.33 (1.312) | 10.31 (.406) | 24.99 (.984) | 3.18 (.125) | 26.18 (1.031) |
| DB | 25 | DB20962 | M85049/48-2-3F | 52.78 (2.078) | 12.70 (.500) | 47.04 (1.852) | 15.06 (.593) | 38.48 (1.515) | 4.75 (.187) | 26.98 (1.062) |
| DC | 37 | DC20963 | M85049/48-2-4F | 69.04 (2.718) | 12.70 (.500) | 63.50 (2.500) | 18.23 (.718) | 55.14 (2.171) | 6.35 (.250) | 26.98 (1.062) |
| DD | 50 | DD20964 | M85049/48-2-5F | 66.68 (2.625) | 15.47 (.609) | 61.11 (2.406) | 20.62 (.812) | 53.16 (2.093) | 7.92 (.312) | 26.98 (1.062) |

* Parts ordered with no suffix or "Z" suffix will be substituted with "F" suffix.

Dimensions shown in mm (inch)
Specifications and dimensions subject to change

www.ittcannon.com



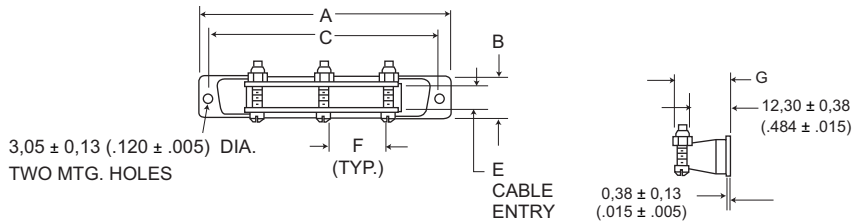
Cannon D-Subminiature Accessories

Metal Backshell

Short Straight Clamp



- Kit consists of 1 shell, 2 or 3 screws, 2 or 3 hex nuts



| Shell Size | RoHS Compliant Part Number | Mil-Spec Parts (Brass) | | Brass | |
|------------|----------------------------|------------------------|-------------|---------------------------|-------------|
| | | Mil-Spec Part Number | Part Number | 50 μ in. Gold over Copper | Part Number |
| DA | DA19678-212 | M85049/48-3-7F | DA19678-38 | DA19678-167 | |
| DB | DB19678-2 | M85049/48-3-8F | DB19678-53 | DA19678-168 | |
| DC | DC19678-214 | M85049/48-3-9F | DC19678-85 | DA19678-138 | |
| DD | DD19678-214 | M85049/48-3-10F | DD19678-55 | DA19678-161 | |

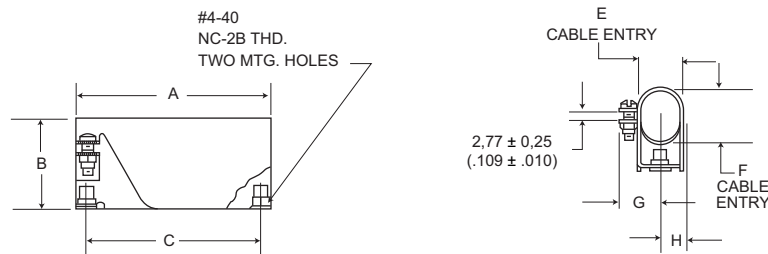
| Shell Size | Layout | Part Number | Mil Spec Part Number* | No. of Cable Locking Screws Included | A ±0,38 (.015) | B ±0,38 (.015) | C ±0,13 (.005) | E ±0,38 (.015) | F ±0,38 (.015) | G ±0,98 (.035) |
|------------|--------|-------------|-----------------------|--------------------------------------|----------------|----------------|----------------|----------------|----------------|----------------|
| DA | 15 | DA19678-1 | M85049/48-3-2F | 2 | 38,88 (1.531) | 12,70 (.500) | 33,33 (1.312) | 7,51 (.296) | 7,93 (.312) | 16,36 (.644) |
| DB | 25 | DB19678-2 | M85049/48-3-3F | 2 | 52,78 (2.078) | 12,70 (.500) | 47,04 (1.852) | 7,51 (.296) | 20,22 (.796) | 16,36 (.644) |
| DC | 37 | DC19678-3 | M85049/48-3-4F | 3 | 69,04 (2.718) | 12,70 (.500) | 63,50 (2.500) | 7,51 (.296) | 17,45 (.687) | 16,36 (.644) |
| DD | 50 | DD19678-4 | M85049/48-3-5F | 3 | 66,68 (2.625) | 15,47 (.690) | 61,11 (2.406) | 9,91 (.390) | 17,45 (.687) | 17,63 (.694) |

* Parts ordered with no suffix or "Z" suffix will be substituted with "F" suffix.

90° Entry



- Kit consists of 1 shell, 1 cable clamp, 1 screw, 1 nut, 2 rivnuts (assembled)



| Shell Size | RoHS Compliant Part Number | Mil-Spec Parts (Brass) | | Brass | |
|------------|----------------------------|------------------------|-------------|---------------------------|-------------|
| | | Mil-Spec Part Number | Part Number | 50 μ in. Gold over Copper | Part Number |
| DE | DE19977-72 | M85049/50-6F | DE19977-20 | DE19977-47 | |
| DA | DA19977-68 | M85049/50-7F | DA19977-6 | DE19977-40 | |
| DB | DB19977-69 | M85049/50-8F | DB19977-17 | DE19977-43 | |
| DC | DC19977-70 | M85049/50-9F | DC19977-18 | DE19977-45 | |
| DD | DC19977-71 | M85049/50-10F | DD19977-19 | DE19977-44 | |

| Shell Size | Layout | Part Number | Mil Spec Part Number* | A ±0,38 (.015) | B ±0,38 (.015) | C ±0,13 (.005) | E ±0,38 (.015) | F ±0,38 (.015) | G ±0,98 (.035) | H |
|------------|--------|-------------|-----------------------|----------------|----------------|----------------|----------------|----------------|----------------|-------------|
| DE | 9 | DE19977-5 | M85049/50-1F | 30,56 (1.203) | 18,24 (.718) | 24,99 (.984) | 11,10 (.437) | 11,10 (.437) | 11,89 (.468) | 7,14 (.281) |
| DA | 15 | DA19977-1 | M85049/50-2F | 38,89 (1.531) | 12,70 (.500) | 33,33 (1.312) | 11,10 (.437) | 11,10 (.437) | 11,89 (.468) | 7,14 (.281) |
| DB | 25 | DB19977-2 | M85049/50-3F | 52,78 (2.078) | 12,70 (.500) | 47,04 (1.852) | 11,10 (.437) | 15,88 (.625) | 11,89 (.468) | 7,14 (.281) |
| DC | 37 | DC19977-3 | M85049/50-4F | 69,04 (2.718) | 12,70 (.500) | 63,50 (2.500) | 11,10 (.437) | 20,63 (.812) | 11,89 (.468) | 7,14 (.281) |
| DD | 50 | DD19977-4 | M85049/50-5F | 66,68 (2.625) | 15,47 (.690) | 61,11 (2.406) | 14,28 (.562) | 23,01 (.906) | 13,47 (.531) | 8,71 (.343) |

* Parts ordered with no suffix or "Z" suffix will be substituted with "F" suffix.



Dimensions shown in mm (inch)
Specifications and dimensions subject to change

www.ittcannon.com

Cannon D-Subminiature Accessories

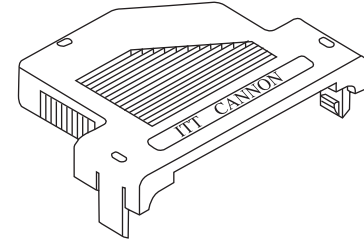
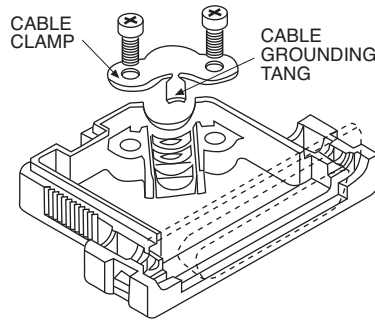
Plastic Backshell

Snap-Together Metalized Plastic

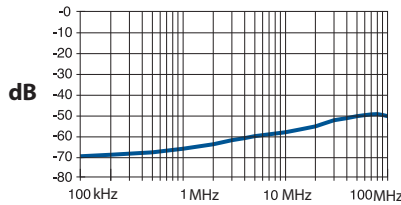
Metalized plastic backshells reduce EMI/RFI emissions. Metalized plastic provides a light weight solution. Includes integral strain relieving cable clamp.

Product Features

- Improves conformance to FCC DOC #20780 shielding requirements
- No crimp ferrule tooling needed
- Quick and simple assembly using snap-together design feature
- Non-metalized, non-shielded versions available



Attenuation Curve



Note: Cable grounding tang not available on DE size backshell.

Specifications

| | |
|--------------------|-----------------|
| Attenuation: | -49 dB @ 100MHz |
| Temperature Range: | -20° C to 80° C |

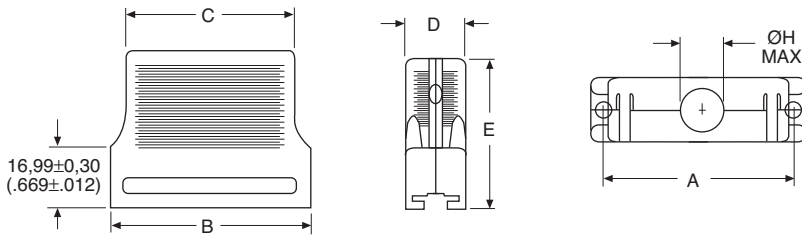
Materials and Finishes

| | |
|-----------|-------------------------------|
| Material: | Thermoplastic, UL 94V-0 rated |
| Finish: | Nickel over Copper |

Straight Exit



- Kit consists of 1 front shell, 1 rear shell, 1 cable clamp, 2 screws
- Optional locking hardware sold separately, see page 10

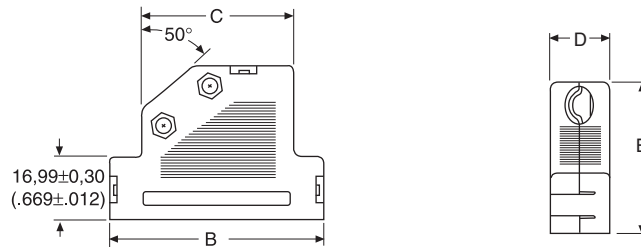


| Shell Size | Layout | Computer Cable | | | Ribbon Cable | | A | B | C | D | E | øH Max. |
|------------|--------|----------------|-------------------|--------------------|--------------|-------------------|---------------|---------------|---------------|--------------|---------------|--------------|
| | | Shielded | Non-Shielded Gray | Non-Shielded Black | Shielded | Non-Shielded Gray | | | | | | |
| DE | 9 | DE121073-154 | DE121073-159 | DE121073-259 | DE121073-164 | DE121073-169 | 24,95 (.982) | 30,81 (1.213) | 23,70 (.933) | 16,00 (.630) | 35,99 (1.417) | 7,32 (.288A) |
| DA | 15 | DA121073-150 | DA121073-155 | DA121073-255 | DA121073-160 | DA121073-165 | 33,30 (1.311) | 39,09 (1.539) | 31,80 (1.252) | 16,00 (.630) | 42,00 (1.654) | 8,31 (.327) |
| DB | 25 | DB121073-151 | DB121073-156 | DB121073-256 | DB121073-161 | DB121073-166 | 47,00 (1.850) | 53,01 (2.087) | 45,01 (1.772) | 16,00 (.630) | 42,00 (1.654) | 10,52 (.414) |
| DC | 37 | DC121073-152 | DC121073-157 | DC121073-257 | DC121073-162 | DC121073-167 | 63,45 (2.498) | 69,29 (2.728) | 60,30 (2.374) | 16,00 (.630) | 42,00 (1.654) | 12,32 (.485) |
| DD | 50 | DD121073-153 | DD121073-158 | DD121073-258 | - | - | 61,10 (2.410) | 66,90 (2.634) | 58,30 (2.295) | 19,00 (.748) | 42,00 (1.654) | 13,00 (.512) |

50° Exit



- Kit consists of 1 front shell, 1 rear shell, 1 cable clamp, 2 screws
- Optional locking hardware sold separately, see page 5



| Shell Size | Layout | Shielded Part # | Non-Shielded Part # Gray | B | C | D | E | Cable Diameter | |
|------------|--------|-----------------|--------------------------|---------------|---------------|--------------|---------------|----------------|--------------|
| | | | | | | | | Min. | Max. |
| DE | 9 | DE121073-54 | DE121073-59 | 35,99 (1.417) | 22,00 (8.66) | 16,00 (.630) | 35,99 (1.417) | 3,51 (.138) | 7,49 (.295) |
| DA | 15 | DA121073-50 | DA121073-55 | 44,29 (1.744) | 27,31 (1.075) | 16,00 (.630) | 42,01 (1.654) | 6,50 (.256) | 8,99 (.354) |
| DB | 25 | DB121073-51 | DB121073-56 | 57,99 (2.283) | 41,00 (1.614) | 16,00 (.630) | 42,01 (1.654) | 6,50 (.256) | 11,00 (.433) |
| DC | 37 | DC121073-52 | DC121073-57 | 74,50 (2.933) | 57,51 (2.264) | 16,00 (.630) | 42,01 (1.654) | 6,50 (.256) | 11,00 (.433) |
| DD | 50 | DD121073-53 | DD121073-58 | 72,97 (2.873) | 54,99 (2.165) | 19,00 (.748) | 42,01 (1.654) | 8,99 (.354) | 13,00 (.512) |

Dimensions shown in mm (inch)
Specifications and dimensions subject to change

www.ittcannon.com

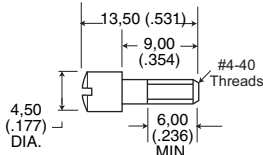
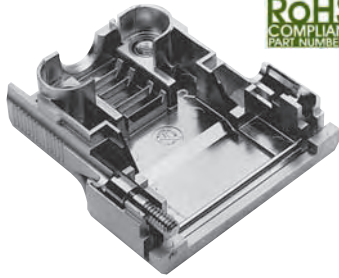


Cannon D-Subminiature Accessories

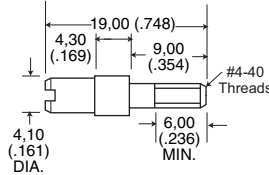
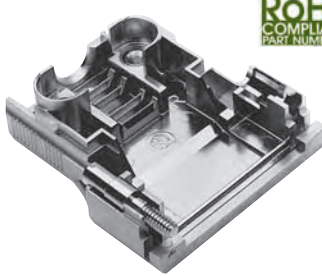
Plastic Backshell

Locking Hardware for Snap-Together Plastic Backshell

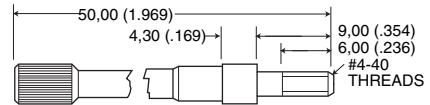
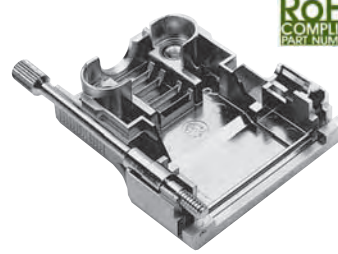
Recessed Jackscrew



Extended Jackscrew



Thumbscrew

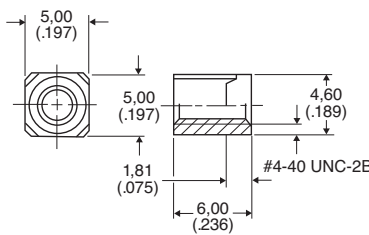


Materials and Finishes

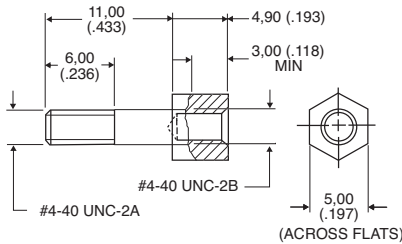
| Part Number | Material | Finish | Quantity Required per Connector |
|---|----------|--------|---------------------------------|
| 250-8501-004 | Brass | Nickel | 2 |
| 250-8501-009 (M3) ,250-8501-010 (#4-40) | Brass | Nickel | 2 |
| 250-8501-013 | Brass | Nickel | 2 |

Jackpost for In-Line Connections

Rectangular Nut



Jackpost



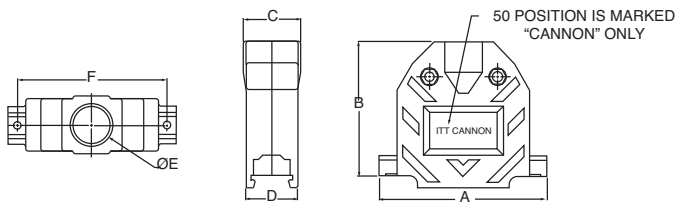
Jackpost Assembly



Assembly consists of 1 rectangular nut, 1 jackpost, 1 # 4-40 lock washer.

| | |
|----------------------------------|------------|
| Part Number: | D121073-19 |
| Material: | Brass |
| Finish: | Nickel |
| Quantity required per connector: | 2 |

Straight Exit - Metalized Plastic Low Cost



- Kit consists of 1 front shell, 1 rear shell, 1 cable clamp, 2 screws

| Shell Size Layout | Part Number | A | B | C | D | ø E | F |
|-------------------|--------------|---------------|---------------|--------------|--------------|--------------|---------------|
| DE | 980-2000-350 | 30,91 (1.217) | 39,29 (1.547) | 16,26 (.640) | 16,26 (.640) | 10,16 (.400) | 24,99 (.984) |
| DA | 980-2000-351 | 39,24 (1.545) | 38,23 (1.505) | 16,26 (.640) | 16,26 (.640) | 10,16 (.400) | 33,32 (1.312) |
| DB | 980-2000-352 | 53,09 (2.090) | 42,04 (1.655) | 18,03 (.710) | 16,26 (.640) | 13,26 (.522) | 47,17 (1.857) |
| DC | 980-2000-353 | 69,44 (2.734) | 46,48 (1.830) | 23,01 (.906) | 16,26 (.640) | 18,44 (.726) | 63,50 (2.500) |
| DD | 980-2000-354 | 67,18 (2.645) | 47,12 (1.855) | 23,88 (.940) | 19,56 (.770) | 18,44 (.726) | 61,11 (2.406) |

Materials and Finishes: Thermoplastic, UL 94V-0 rated, Nickel plated



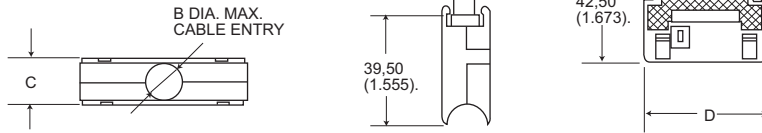
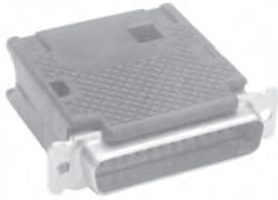
Dimensions shown in mm (inch)
Specifications and dimensions subject to change

www.ittcannon.com

Cannon D-Subminiature Accessories

Plastic Backshell

Snap -Together Universal



- 2-piece snap-together design for quick assembly.
- Customer furnishes tie-wrap.

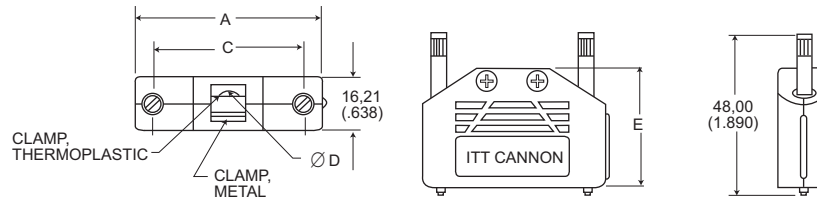
| Shell Size | Layout | Part Number | øB max. | C ±0,20 (.008) | D ±0,20 (.008) |
|------------|--------|-------------|--------------|----------------|----------------|
| DE | 9 | DE115339-20 | 7,01 (.276) | 17,00 (.669) | 19,51 (.768) |
| DA | 15 | DA115339-21 | 9,60 (.378) | 17,00 (.669) | 27,79 (1.094) |
| DB | 25 | DB115339-22 | 11,61 (.457) | 17,00 (.669) | 41,61 (1.638) |
| DC | 37 | DC115339-23 | 13,00 (.512) | 17,00 (.669) | 59,99 (2.283) |
| DD | 50 | DD115339-24 | 16,00 (.630) | 19,81 (.780) | 52,32 (2.060) |

Note: Part Numbers above replace the following part number series: DE110963-1 to DD110963-5

Materials and Finishes

| | |
|-----------|--|
| Material: | Black Thermoplastic, UL 94V-0 rated |
|-----------|--|

One-Piece Snap-Together



- Low cost
- Easy to assemble
- Mounting hardware included
- 2 thumbscrews, 2 cable clamps

Materials and Finishes

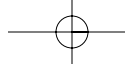
| | |
|---------------------|---------------|
| Backshell Material: | Polypropylene |
| Hardware Material: | Steel |
| Hardware Finish: | Black Nickel |

| Shell Size | Layout | Part Number | A | C | ø D max. | E |
|------------|--------|-------------|---------------|---------------|-------------|---------------|
| DE | 9 | DEBS-9 | 35,20 (1.386) | 24,99 (.984) | 5,69 (.224) | 27,51 (1.083) |
| DA | 15 | DABS-15 | 43,31 (1.705) | 33,33 (1.312) | 5,69 (.224) | 31,19 (1.228) |
| DB | 25 | DBBS-25 | 57,20 (2.252) | 47,04 (1.852) | 6,50 (.256) | 38,30 (1.508) |
| DC | 37 | DCBS-37 | 72,00 (2.83) | 62,00 (2.44) | 7,80 (.307) | 43,08 (1.69) |
| DD | 50 | DBBS-50 | 73,70 (2.90) | 63,70 (2.50) | 8,20 (.322) | 48,04 (1.89) |

Dimensions shown in mm (inch)
Specifications and dimensions subject to change

www.ittcannon.com



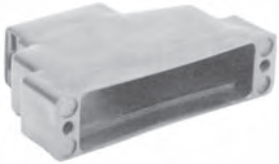


Cannon D-Subminiature Accessories

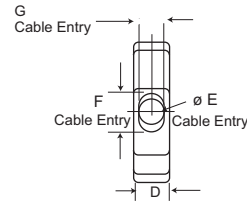
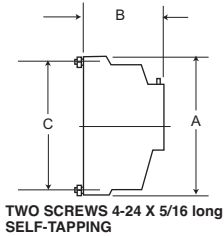
Plastic Backshell

One-Piece Plastic

Straight Exit



- Kit consists of 1 shell, 1 cable clamp, 1 set screw
- Mounting hardware included
- 2 screws #4-24 x 5/16 long self tapping
- Accommodates spring latches



Materials and Finishes

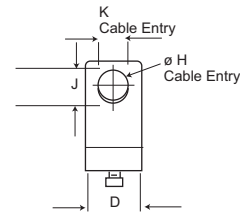
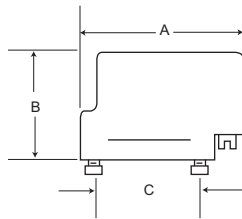
| | |
|--------------------|-------------------------------------|
| Material: | Black Thermoplastic, UL 94V-0 rated |
| Hardware Material: | Steel |
| Hardware Finish: | Chromate over Zinc |

| Shell Size | Part Layout Number | A | B | C | D | øE | F | G |
|------------|--------------------|---------------|---------------|---------------|--------------|-------------|--------------|--------------|
| DE 9 | DE51218 | 30,94 (1.218) | 25,40 (1.000) | 24,99 (.984) | 12,70 (.500) | 7,14 (.281) | — | — |
| DA 15 | DA51210 | 39,27 (1.546) | 25,40 (1.000) | 33,33 (1.312) | 12,70 (.500) | 9,14 (.360) | — | — |
| DB 25 | DB51212 | 53,16 (2.093) | 31,75 (1.250) | 47,04 (1.852) | 12,70 (.500) | — | 12,52 (.493) | 9,15 (.360) |
| DC 37 | DC51214 | 69,44 (2.734) | 38,10 (1.500) | 63,50 (2.500) | 12,70 (.500) | — | 17,63 (.694) | 9,15 (.360) |
| DD 50 | DD51216 | 67,06 (2.640) | 38,10 (1.500) | 61,11 (2.406) | 15,47 (.690) | — | 18,64 (.734) | 11,89 (.468) |

90° Exit



- Kit consists of 1 shell, 1 cable clamp, 1 set screw
- Mounting hardware included
- 2 screws #4-24 x 5/16 long self tapping



Materials and Finishes

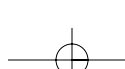
| | |
|--------------------|-------------------------------------|
| Material: | Black Thermoplastic, UL 94V-0 rated |
| Hardware Material: | Steel |
| Hardware Finish: | Chromate over Zinc |

| Shell Size | Part Layout Number | A | B | C | D | øH | J | K |
|------------|--------------------|---------------|---------------|---------------|--------------|-------------|--------------|--------------|
| DE 9 | DE51219 | 37,95 (1.494) | 25,40 (1.000) | 24,99 (.984) | 12,70 (.500) | 7,14 (.281) | — | — |
| DA 15 | DA51211 | 46,28 (1.822) | 25,40 (1.000) | 33,33 (1.312) | 12,70 (.500) | 9,14 (.360) | — | — |
| DB 25 | DB51213 | 60,15 (2.368) | 31,75 (1.250) | 47,04 (1.852) | 12,70 (.500) | — | 12,52 (.493) | 9,15 (.360) |
| DC 37 | DC51215 | 76,43 (3.009) | 38,10 (1.500) | 63,50 (2.500) | 12,70 (.500) | — | 17,63 (.694) | 9,15 (.360) |
| DD 50 | DD51217 | 74,04 (2.915) | 38,10 (1.500) | 61,11 (2.406) | 15,47 (.690) | — | 18,64 (.734) | 11,89 (.468) |



Dimensions shown in mm (inch)
Specifications and dimensions subject to change

www.ittcannon.com



Cannon D-Subminiature Accessories

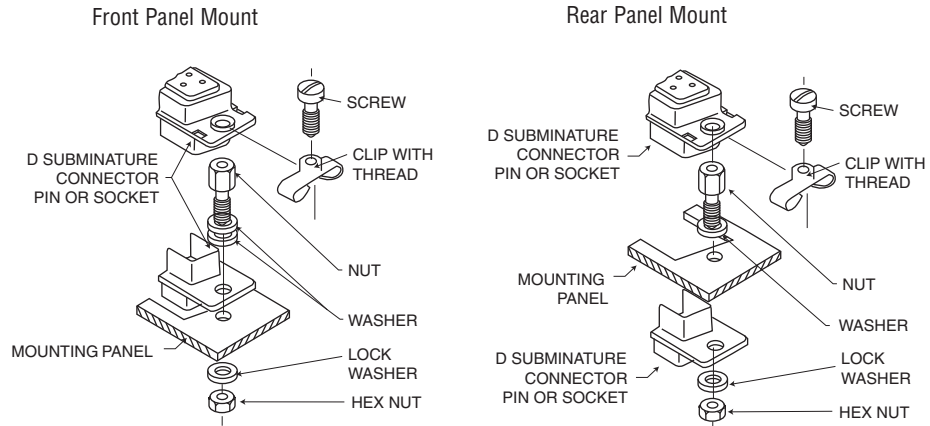
Locking Hardware

Screw Lock Assemblies

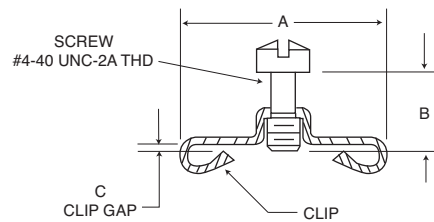
ITT offers the largest variety of locking and latching hardware. Refer to the accessories selection guide on pages 2-3 for use with Cannon backshells.

Product Features

- Ensures positive mating
- Provides locking and latching for high vibration applications



Male Screw Lock



- Kit consists of 1 screw and 1 clip
- Order 2 per connector
- Similar to M24308/25-Style

Materials and Finishes

| | |
|-----------|------------------------------|
| Material: | Steel |
| Finish: | Trivalent Chromate over Zinc |

| Shell Size | each P/N | 2 each P/N | A ±0,38(.015) | B ±0,2 (.010) | C ±0,13 (.005) | RoHS Compliant P/N each | RoHS Compliant P/N 2 each |
|----------------|------------|------------|------------------|------------------|-------------------|-------------------------|---------------------------|
| DE, DA, DB, DC | D20419 | D20419-119 | 14,10 (.555) | 6,35 (.250) | 1,22 (.048) | D20419-211 | D20419-218 |
| DE, DA, DB, DC | D20419-18 | D20419-121 | 14,10 (.555) | 7,14 (.281) | 1,70 (.067) | D20419-212 | D20419-219 |
| DE, DA, DB, DC | D20419-21 | D20419-122 | 14,10 (.555) | 7,14 (.281) | 2,34 (.092) | D20419-213 | D20419-220 |
| DE, DA, DB, DC | D20419-104 | D20419-216 | 14,10 (.555) | 7,92 (.312) | 2,34 (.092) | D20419-214 | D20419-221 |
| DD | D20420 | D20420-097 | 16,66 (.656) | 6,35 (.250) | 1,22 (.048) | D20420-157 | D20420-163 |
| DD | D20420-13 | D20420-099 | 16,66 (.656) | 7,14 (.281) | 1,70 (.067) | D20420-158 | D20420-164 |
| DD | D20420-15 | D20420-100 | 16,66 (.656) | 7,14 (.281) | 2,34 (.092) | D20420-159 | D20420-165 |
| DD | D20420-86 | D20420-162 | 16,66 (.656) | 7,92 (.312) | 2,34 (.092) | D20420-160 | D20420-166 |

Dimensions shown in mm (inch)
 Specifications and dimensions subject to change

www.ittcannon.com



Cannon D-Subminiature Accessories

Locking Hardware

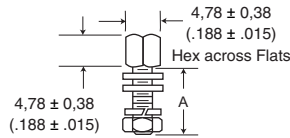
Female Screw Lock



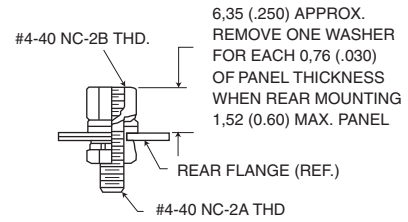
- Kit consists of 1 nut, 3 washer, 1 lock washer, 1 hex nut.
- Order 2 per connector.

Material: Steel
 Finish: Chromate over Cadmium (Mil Spec) or Zinc (RoHS)

Front Panel Mount



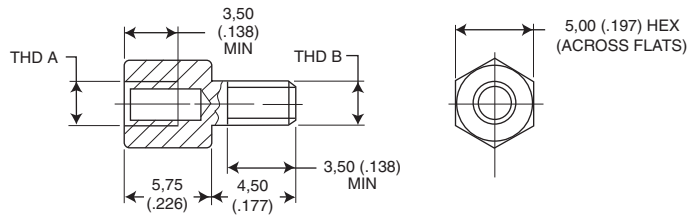
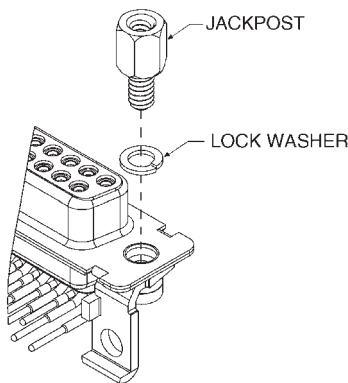
Rear Panel Mount



NOTE: (1) A 6 inch/pound (female) and 4 inch/pound (male) maximum torque during assembly is recommended on steel screw lock assemblies. (2) A third flat washer is supplied for front panel mounting of tab shell connectors.

| Yellow Chromate Over Cadmium each | Chromate Over Zinc Kit of 2 each | RoHS Compliant Kit of 2 each | Part Number | A ± 0,38 (.015) | Designed to be comparable to Mil Spec Part Number |
|-----------------------------------|----------------------------------|------------------------------|-------------|-----------------|---|
| D20418-2 | D20418-82 | D20418-128 | D20418-134 | 7,92 (.312) | M24308/26-1F-Style |
| D20418-50 | D20418-131 | - | D20418-135 | 12,70 (.500) | - |
| D20418-39 | D20418-83 | D20418-129 | D20418-136 | 15,88 (.625) | M24308/26-2F-Style |
| D20418-74 | D20418-132 | - | D20418-137 | 19,05 (.750) | - |

Screw Locks for Connectors with Integral Threaded Inserts



| Part Number | Thread Type | |
|-------------|---------------|---------------|
| | THD A | THD B |
| D121073-39 | # 4-40 UNC-2B | # 4-40 UNC-2A |
| D112041 * | # 4-40 UNC-2B | # 4-40 UNC-2A |
| D121073-42 | M3 | M3 |

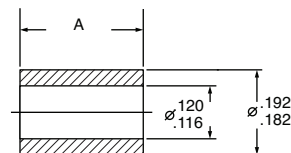
* without lock washer

- Kit consists of 1 jackpost, 1 lock washer.
- Order 2 per connector.

Loose Spacer

Part Number: 253-0343-000 (D*M Style) Dim A 5.84 ± .08 (.230 ± .003)
 Part Number: 253-0343-011 (D*MA Style) 9.40 ± .13 (.370 ± .005)

Material: Aluminum
 Finish: Chromate over Cadmium



Dimensions shown in mm (inch)
 Specifications and dimensions subject to change

www.ittcannon.com

Cannon D-Subminiature Accessories

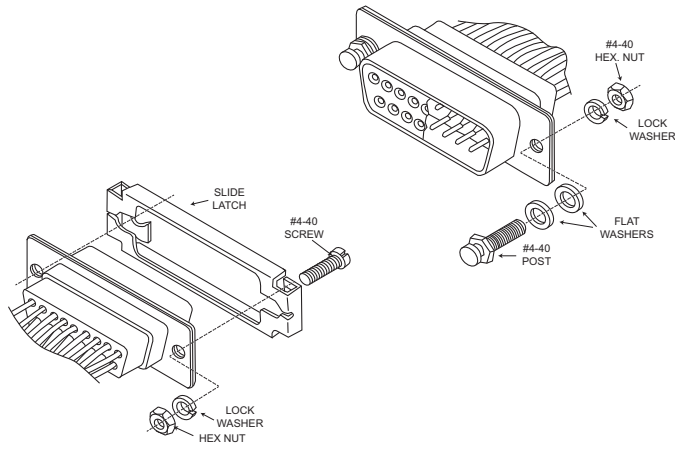
Locking Hardware

Slide Lock Assemblies

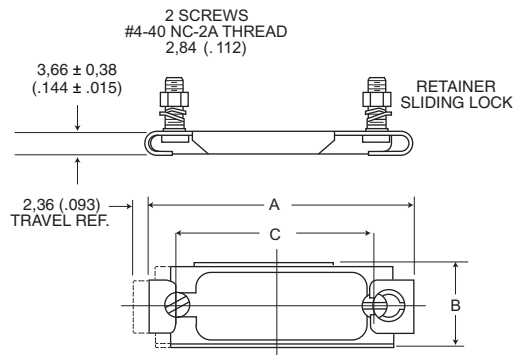
ITT offers the largest variety of locking and latching hardware. Refer to the accessories selection guide on pages 2-3 for use with Cannon backshells.

Product Features

- Ensures positive mating
- Provides locking and latching for high vibration applications



Sliding Lock Retainer Assembly



- Kit consists of 1 sliding lock plate, 2 mounting screws, 2 lock washer, 2 hex nuts
- Order 1 kit per connector

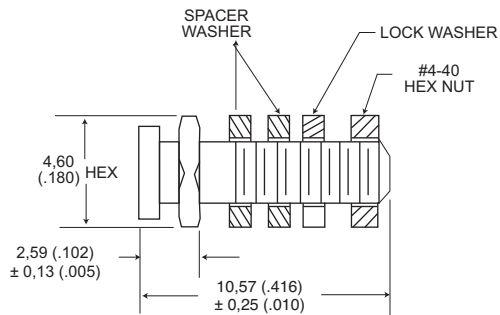
| Descriptions | Material | Finish/Treatment |
|----------------------|-----------------|------------------------------|
| Sliding Lock Plate | Stainless Steel | Passivated |
| Screw, Mounting | Steel | Trivalent Chromate over Zinc |
| Washer Lock Nut, Hex | Steel | Zinc |

| Shell Size | Layout | Part Number | A ± 0,38 (.015) | B ± 0,38 (.015) | C ± 0,13 (.005) |
|------------|--------|-------------|-----------------|-----------------|-----------------|
| DE | 9 | DE51224-1 | 35,05 (1.380) | 12,70 (.500) | 25,00 (.984) |
| DA | 15 | DA51220-1 | 43,70 (1.720) | 12,70 (.500) | 33,32 (1.312) |
| DB | 25 | DB51221-1 | 57,40 (2.260) | 12,70 (.500) | 47,04 (1.852) |
| DC | 37 | DC51222-1 | 73,86 (2.908) | 12,70 (.500) | 63,50 (2.500) |
| DD | 50 | DD51223-1 | 71,47 (2.814) | 15,47 (.609) | 61,11 (2.406) |

Slide Lock Post Assemblies



- Consists of 1 post, 2 washers, 1 lock washer, and 1 hex nut.¹
- Order 2 per connector.²



| Part Number: | Each ^{1,2} | Kit of 2 each | |
|--------------|---------------------|---------------|---|
| D53018 | D53018 | D53018-11 | Material: Steel, Finish: Chromate/Zinc |
| D53018-14 | D53018-14 | D53018-20 | Material: Stainless Steel, Finish: Passivated |

NOTE: When rear-mounting connector to a 1/16" panel, delete the second spacer washer.

Dimensions shown in mm (inch)
Specifications and dimensions subject to change

www.ittcannon.com



Cannon D-Subminiature Accessories

Locking Hardware

Spring Latch Assemblies

ITT offers the largest variety of locking and latching hardware. Refer to the accessories selection guide on pages 2-3 for use with Cannon backshells.

Product Features

- Low Cost
- Minimizes field connection time
- Positive lock between connectors
- Packaged 2 kits per bag

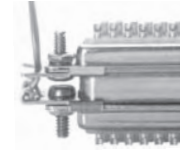
Materials and Finishes

| | |
|------------|-----------------|
| Material: | Stainless Steel |
| Treatment: | Passivated |

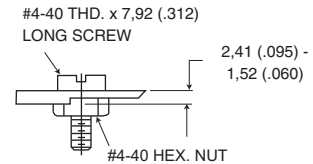
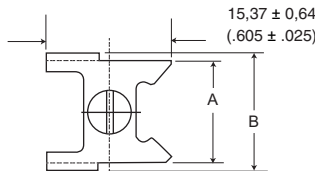
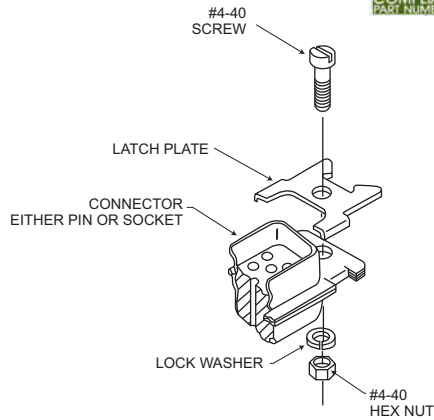
Unlocked



Locked



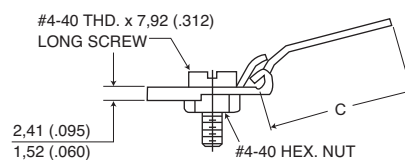
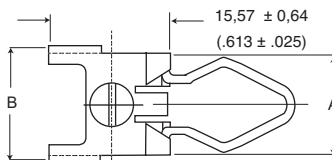
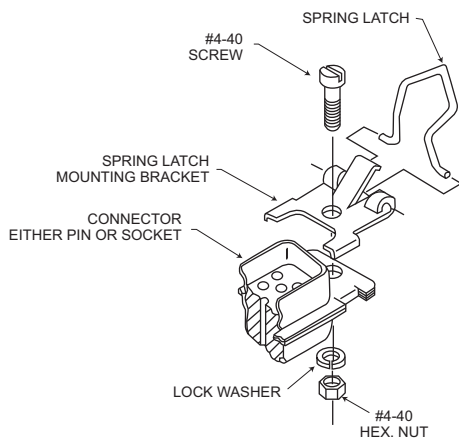
Spring Latch Plate Assembly



| Shell Size | Layout | Part Number | A ± 0,38 (.015) | B ± 0,38 (.015) | Part Number Kit of 2 each |
|----------------|--------------|-------------|--------------------|--------------------|------------------------------|
| DE, DA, DB, DC | 9,15, 25, 37 | D110278 | 12,42 (.489) | 14,35 (.565) | D110278-4 |
| DD | 50 | D110280 | 15,47 (.609) | 17,09 (.673) | D110280-3 |

- Kit consists of 1 plate, 1 screw, 1 lock washer, 1 hex nut.
- Order 2 kits per connector.

Spring Latch Assembly



| Shell Size | Layout | Part Number | A ± 0,38 (.015) | B ± 0,38 (.015) | C ± 0,51 (.020) | Part Number Kit of 2 each |
|----------------|--------------|-------------|--------------------|--------------------|--------------------|------------------------------|
| DE, DA, DB, DC | 9,15, 25, 37 | D110277 | 12,42 (.489) | 14,35 (.565) | 18,59 (.732) | D110277-2 |
| DD | 50 | D110279 | 15,47 (.609) | 17,09 (.673) | 18,59 (.732) | D110279-3 |

D110277-4 Rear panel mount version also available

- Kit consists of 1 spring, 1 screw, 1 bracket, 1 lock washer, 1 hex nut.
- Order 2 kits per connector. Front panel mounting.



Dimensions shown in mm (inch)
Specifications and dimensions subject to change

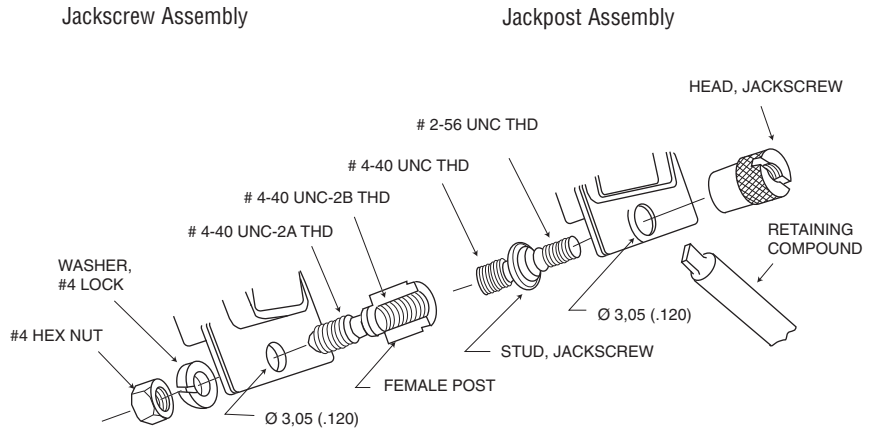
www.ittcannon.com

Cannon D-Subminiature Accessories

Locking Hardware

Jackscrew/Jackpost Assemblies

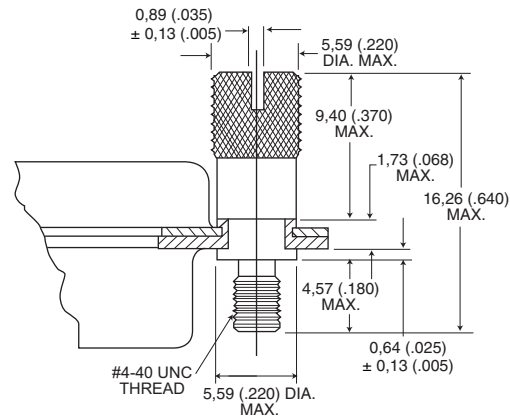
ITT offers the largest variety of locking and latching hardware. Refer to the accessories selection guide on pages 2-3 for use with Cannon backshells.



Jackscrew Assembly



- Kit consists of 2 studs, 2 heads, 1 tube retaining compound (US only)
- Order one kit per connector

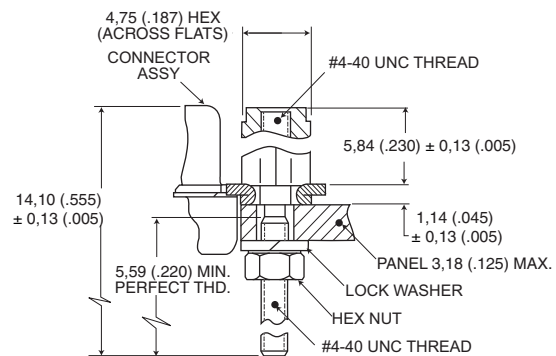


| | |
|------------------------|-----------------|
| Part Number: | D110550 |
| Materials and Finishes | |
| Material: | Stainless Steel |
| Treatment: | Passivated |

Jackpost Assembly



- Kit consists of 2 posts, 2 hex nuts, 2 lock washer
- Order one kit per connector



| | |
|------------------------|-----------------|
| Part Number: | D110551 |
| Materials and Finishes | |
| Material: | Stainless Steel |
| Treatment: | Passivated |

NOTE: Jack post is not compatible with rear-panel mount connectors.

Dimensions shown in mm (inch)
Specifications and dimensions subject to change

www.ittcannon.com



Cannon D-Subminiature Accessories

Guide Pin Plate

Guide Pin Plate

Female



- Useful in blind mate applications.
- Kit consists of 1 plate, 2 screws.
- Guide pin inserts for Size 8 cavities for Combo D® connectors also available. Refer to Combo D Catalog.

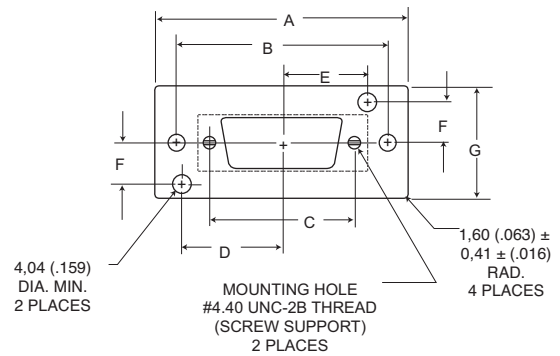
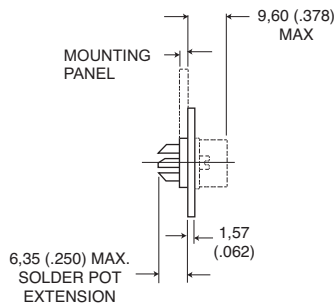
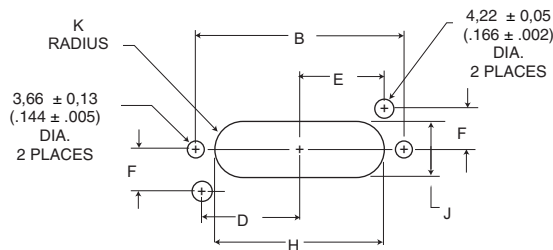


Plate and Hardware Material: Steel
 Plate and Hardware Finish: Chromate over Zinc

| Shell Size | Layout | Part Number | A | B | C | D | E | F | G | H | J | K |
|------------|--------|-------------|---------------|---------------|---------------|---------------|---------------|--------------|---------------|---------------|--------------|-------------|
| DE | 9 | DE111920 | 49,61 (1.953) | 40,08 (1.578) | 25,00 (.986) | 18,65 (.734) | 15,27 (.601) | 9,52 (.375) | 25,40 (1.000) | 30,58 (1.204) | 12,29 (.484) | 6,15 (.242) |
| DA | 15 | DA22214 | 57,96 (2.282) | 48,41 (1.906) | 33,32 (1.312) | 22,81 (.898) | 19,43 (.765) | 9,52 (.375) | 25,40 (1.000) | 38,91 (1.532) | 12,29 (.484) | 6,15 (.242) |
| DB | 25 | DB22254 | 71,63 (2.820) | 62,13 (2.446) | 47,04 (1.852) | 29,67 (1.168) | 26,29 (1.035) | 9,52 (.375) | 25,40 (1.000) | 51,21 (2.016) | 11,91 (.469) | 5,94 (.234) |
| DC | 37 | DC22071 | 88,11 (3.469) | 78,59 (3.094) | 63,50 (2.500) | 37,90 (1.492) | 34,52 (1.359) | 9,52 (.375) | 25,40 (1.000) | 67,49 (2.657) | 11,91 (.469) | 5,94 (.234) |
| DD | 50 | DD21961 | 85,72 (3.375) | 76,20 (3.000) | 61,11 (2.406) | 36,50 (1.437) | 33,32 (1.312) | 11,10 (.437) | 28,58 (1.125) | 65,10 (2.563) | 14,30 (.563) | 7,16 (.282) |

Recommended Panel Cutout



Dimensions shown in mm (inch)
 Specifications and dimensions subject to change

www.ittcannon.com

Cannon D-Subminiature Accessories

Guide Pin Plate

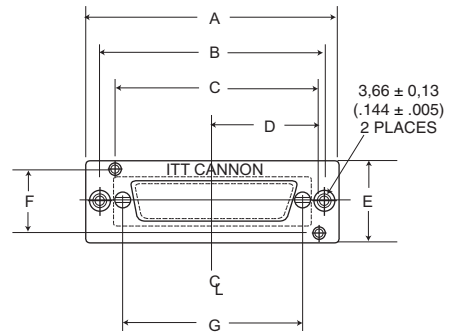
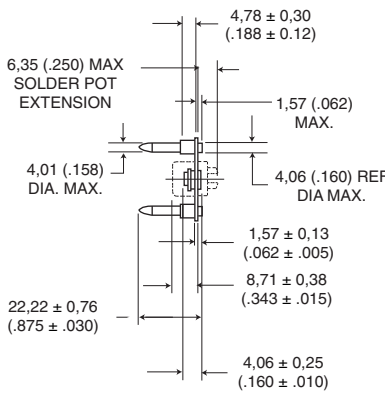
Guide Pin Plate

Male



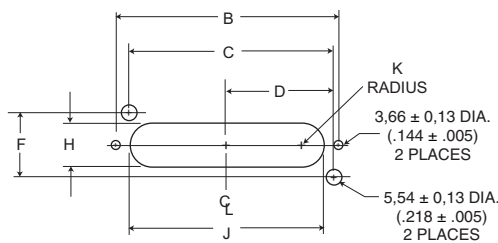
- Useful in blind mate applications.
- Kit consists of 1 plate, 2 sems screws, 2 rivets, 2 guide pins, 2 washer
- Guide pin inserts for Size 8 cavities for Combo D® connectors also available. Refer to Combo D Catalog.

Plate and Hardware Material: Steel
 Plate and Hardware Finish: Chromate over Zinc
 Guide Pin Material: Stainless Steel



| Shell Size | Layout | Part Number | A ±0,41 (.016) | B ±0,13 (.005) | C ±0,13 (.005) | D ±0,13 (.005) | E ±0,13 (.005) | F ±0,13 (.005) | G ±0,41 (.016) | H ±0,41 (.016) | J ±0,41 (.016) | K ±0,41 (.016) |
|------------|--------|-------------|----------------|----------------|----------------|----------------|----------------|----------------|----------------|----------------|----------------|----------------|
| DE | 9 | DE111919 | 49,61 (1.953) | 40,08 (1.578) | 33,91 (1.335) | 18,65 (.734) | 25,40 (1.000) | 19,05 (.750) | 25,00 (.984) | 12,29 (.484) | 30,58 (1.204) | 6,15 (.242) |
| DA | 15 | DA22213 | 57,96 (2.282) | 48,41 (1.906) | 42,24 (1.663) | 22,81 (.898) | 25,40 (1.000) | 19,05 (.750) | 33,32 (1.312) | 12,29 (.484) | 38,89 (1.531) | 6,15 (.242) |
| DB | 25 | DB22255 | 71,63 (2.820) | 62,13 (2.446) | 55,96 (2.203) | 29,67 (1.168) | 25,40 (1.000) | 19,05 (.750) | 47,04 (1.852) | 12,29 (.484) | 51,99 (2.047) | 6,15 (.242) |
| DC | 37 | DC22070 | 88,11 (3.469) | 78,59 (3.094) | 72,42 (2.851) | 37,90 (1.492) | 25,40 (1.000) | 19,05 (.750) | 63,50 (2.500) | 12,29 (.484) | 68,25 (2.687) | 6,15 (.242) |
| DD | 50 | DD21962 | 85,72 (3.375) | 76,20 (3.000) | 69,82 (2.749) | 36,50 (1.437) | 28,58 (1.125) | 22,20 (.874) | 61,11 (2.406) | 15,06 (.593) | 66,93 (2.635) | 7,52 (.296) |

Recommended Panel Cutout



Dimensions shown in mm (inch)
 Specifications and dimensions subject to change

www.ittcannon.com



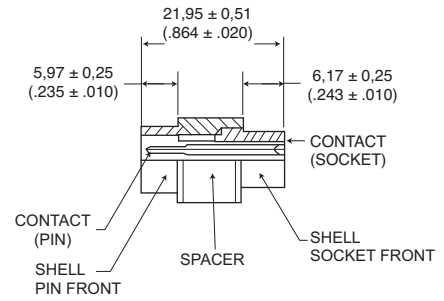
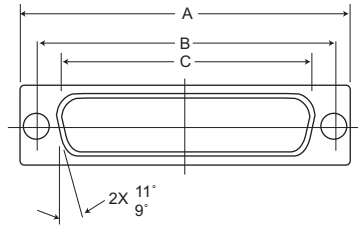
Cannon D-Subminiature Accessories

Connector Saver

High Reliability Connector Saver



Engaging Face, Pin Side



NOTE: Hardware removed for clarity.

| Shell Size | Layout | Part Number | A ± 0,40 (.015) | B ± 0,25 (.010) | C ± 0,25 (.010) |
|------------|--------|-------------|--------------------|--------------------|--------------------|
| DE | 9 | DEBMAM9PS | 30,81 (1.213) | 24,99 (.984) | 16,92 (.666) |
| DA | 15 | DABMAM15PS | 39,14 (1.541) | 33,32 (1.312) | 25,25 (.994) |
| DB | 50 | DBBMAM25PS | 53,04 (2.088) | 47,04 (1.852) | 38,96 (1.534) |
| DC | 37 | DCBMAM37PS | 69,32 (2.729) | 63,50 (2.500) | 55,42 (2.182) |
| DD | 50 | DDBMAM50PS | 66,93 (2.635) | 61,11 (2.406) | 52,81 (2.079) |

Specifications

| |
|---|
| Temperature: -55° C to 105° C |
| Current Rating: 7 A |
| Dielectric withstanding Voltage: 500 VAC at Sea Level |

Materials and Finishes

| Description | Material | Finish |
|------------------|-------------------------------|---------------------------|
| Shells | Steel | Yellow Chromate over Zinc |
| Insulator | White Thermoplastic, UL 94V-0 | — |
| Contacts | Copper Alloy | Gold Over Copper |
| Locking Hardware | Stainless Steel | Passivated |



Dimensions shown in mm (inch)
Specifications and dimensions subject to change

www.ittcannon.com

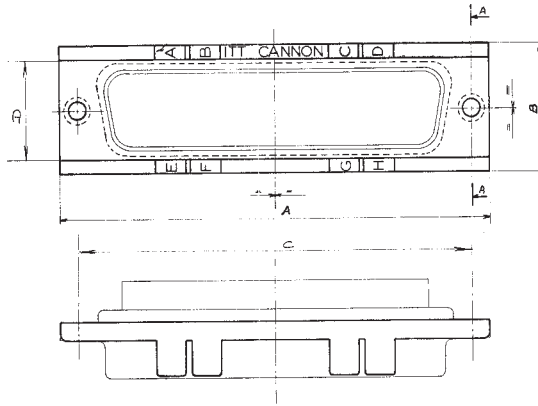
Cannon D-Subminiature Accessories

Miscellaneous

Polarizing Plates

Material: Black plastic, 94-V-0 rated

| Part Number by Shell Size | A | B |
|---------------------------|--------------|------------|
| DE 115398 | 1.208 (30.7) | 0.629 (16) |
| DA 115398-1 | 1.535 (39.0) | 0.629 (16) |
| DB 115398-2 | 2.082 (52.9) | 0.629 (16) |
| DC 115398-3 | 2.726 (69.2) | 0.629 (16) |
| DD 115398-3 | 2.630 (66.8) | 0.749 (19) |



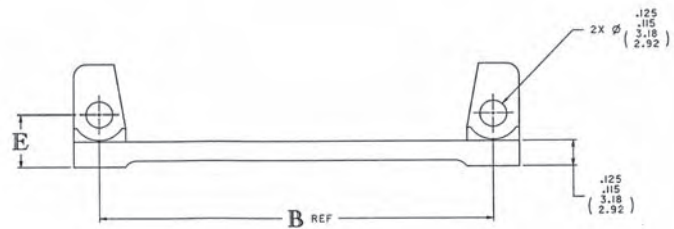
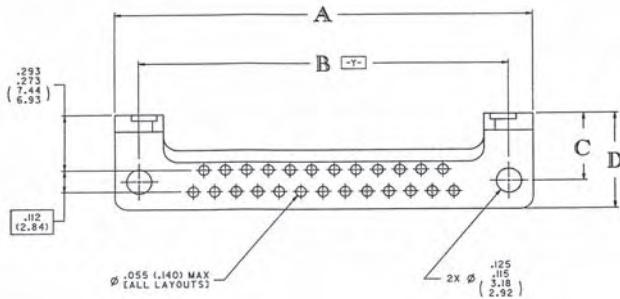
Polarizing Scheme

| Polarizing Keys | A | B | C | D | E | F | G | H |
|-----------------|---|---|---|---|---|---|---|---|
| Position 1 | ○ | × | × | ○ | ○ | × | × | ○ |
| 2 | × | ○ | ○ | × | × | ○ | ○ | × |
| 3 | | | × | × | × | × | | |
| 4 | × | × | | | | | × | × |
| 5 | × | × | | | × | × | | |
| 6 | | | × | × | | | × | × |
| 7 | × | | × | | | × | | × |
| 8 | | × | | × | × | | × | |
| 9 | × | | × | | × | | × | |
| 10 | | × | | × | | × | | × |

○ Cut Key on pin connector × Cut Key on socket connector

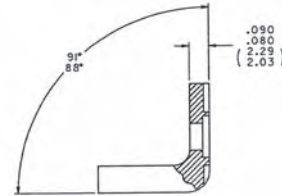
Right Angle Brackets (Used with 90° Printed Circuit Connector D*M, D*, D*C,/D*U)

Material: Black Polyester, UL-94V-0 Rated



D*/D*M

| Shell Size | Part Number | A ± .015 | B ± .005 | C ± .010 | D ± .010 | E ± .010 | F ± .010 |
|------------|--------------|--------------|--------------|-------------|-------------|-------------|------------|
| DE | 015-0338-000 | 1.224 (31.1) | .984 (24.0) | .340 (8.63) | .484 (12.3) | 24.7 (6.27) | .283 (7.2) |
| DA | 015-0339-000 | 1.552 (39.4) | 1.312 (33.3) | .340 (8.63) | .484 (12.3) | 24.7 (6.27) | .283 (7.2) |
| DB | 015-0340-000 | 2.092 (53.1) | 1.852 (47.0) | .340 (8.63) | .484 (12.3) | 24.7 (6.27) | .283 (7.2) |
| DC | 015-0341-000 | 2.740 (69.0) | 2.500 (63.5) | .340 (8.63) | .484 (12.3) | 24.7 (6.27) | .283 (7.2) |
| DD | 015-0342-000 | 2.646 (67.2) | 2.406 (61.1) | .395 (10.0) | .594 (15.1) | .302 (7.67) | .283 (7.2) |



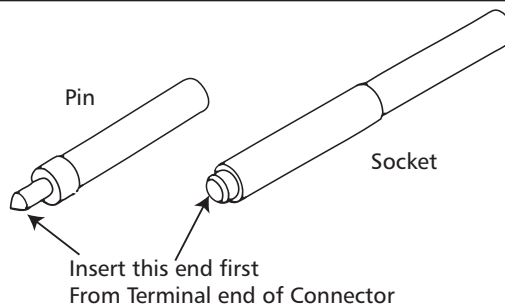
D*C/D*U

| Shell Size | Part Number | A ± .015 | B ± .005 | C ± .010 | D ± .010 | E ± .010 | F ± .010 |
|------------|--------------|--------------|--------------|-------------|-------------|-------------|------------|
| DE | 015-0348-000 | 1.224 (31.1) | .984 (24.0) | .340 (8.63) | .484 (12.3) | 24.7 (6.27) | .283 (7.2) |
| DA | 015-0349-000 | 1.552 (39.4) | 1.312 (33.3) | .340 (8.63) | .484 (12.3) | 24.7 (6.27) | .283 (7.2) |
| DB | 015-0350-000 | 2.092 (53.1) | 1.852 (47.0) | .340 (8.63) | .484 (12.3) | 24.7 (6.27) | .283 (7.2) |
| DC | 015-0351-000 | 2.740 (69.0) | 2.500 (63.5) | .340 (8.63) | .484 (12.3) | 24.7 (6.27) | .283 (7.2) |
| DD | 015-0352-000 | 2.646 (67.2) | 2.406 (61.1) | .395 (10.0) | .594 (15.1) | .302 (7.67) | .283 (7.2) |

Wire Hole Fillers (D*MA Series Only)

Material: Nylon

| Part Number | Insert Type |
|-------------|-------------|
| DMA 51236-1 | Socket |
| DMA 51235-1 | Pin |



Dimensions shown in mm (inch)
Specifications and dimensions subject to change

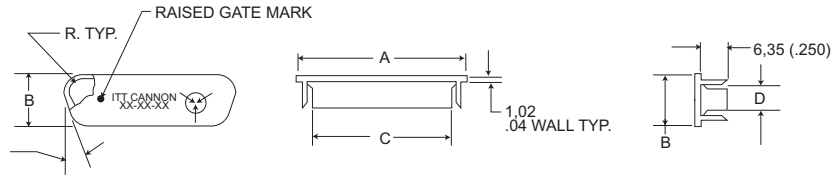
www.ittcannon.com



Cannon D-Subminiature Accessories

Miscellaneous

Dust Cap



NOTE: C dim. applies at point of maximum Integral interface length. Drawing shown for Black Anti-static caps. Dimensions shown are reference only.

Dust caps provide protection from moisture and dust for unused I/O ports.

Product Features

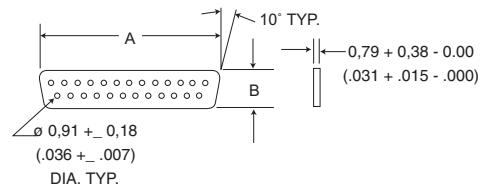
- Dust Caps meet the static decay test requirements of MIL-B- 81705C, Type II.
- Dust Caps have an integral flange for easy application and removal

| Black Antistatic (Surface Resistivity <math><1 \times 10^9</math> ohm/sq) | Red Caps (Surface Resistivity 10^9-10^{12} ohm/sq) | I.D. | A | B | C | D |
|---|--|--------|---------------|--------------|---------------|--------------|
| DE-59-20BA | DE-59-20RC | Socket | 20,32 (.800) | 11,43 (.450) | 16,36 (.644) | 7,59 (2.99) |
| DA-59-20BA | DA-59-20RC | Socket | 28,45 (1.120) | 11,68 (.460) | 24,59 (.968) | 7,62 (.300) |
| DB-59-20BA | DB-59-20RC | Socket | 42,42 (1.670) | 11,68 (.460) | 38,25 (1.506) | 7,49 (.295) |
| DC-59-20BA | DC-59-20RC | Socket | 58,93 (2.320) | 11,68 (.460) | 54,81 (2.158) | 7,37 (.290) |
| DD-59-20BA | DD-59-20RC | Socket | 56,90 (2.240) | 14,48 (.570) | 53,11 (2.091) | 10,41 (.410) |
| DE-60-20BA | DE-60-20RC | Pin | 21,84 (.860) | 12,95 (5.10) | 17,78 (.700) | 8,92 (.351) |
| DA-60-20BA | DA-60-20RC | Pin | 30,48 (1.200) | 12,95 (.510) | 26,52 (1.044) | 9,02 (.355) |
| DB-60-20BA | DB-60-20RC | Pin | 44,20 (1.740) | 13,46 (.530) | 39,60 (1.559) | 9,09 (.358) |
| DC-60-20BA | DC-60-20RC | Pin | 60,71 (2.390) | 13,46 (.530) | 56,90 (2.240) | 9,37 (.369) |
| DD-60-20BA | DD-60-20RC | Pin | 58,17 (2.290) | 16,00 (.630) | 54,28 (2.137) | 12,04 (.474) |

Materials and Finishes

Material: Polyethylene

Interfacial Seal



Interfacial seals provide moisture resistance at the mating interface.

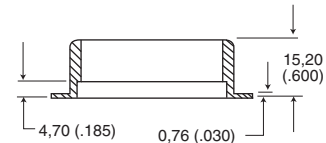
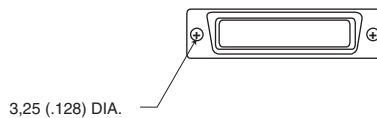
Product Features

- Other Interfacial Seals in the Combo D® layouts are available upon request.

| Shell Size | Layout | Part Number | A | B |
|------------|--------|--------------|---------------|--------------|
| DE | 9 | DE53750 | 16,66 (.656) | 8,41 (.331) |
| DA | 15 | DA53750-1 | 24,99 (.984) | 8,41 (.331) |
| DB | 25 | DB53750-2 | 38,88 1.531) | 8,41 (.331) |
| DC | 37 | DC53750-3 | 55,14 (2.171) | 8,41 (.331) |
| DD | 50 | DD53750-4 | 52,78 (2.078) | 11,10 (.437) |
| DC | 21WA4 | 075-0354-003 | 55,14 (2.171) | 8,41 (.331) |
| DE | 15 | 273-0333-000 | 16,66 (.656) | 8,41 (.331) |
| DA | 26 | 273-0334-000 | 24,99 (.984) | 8,41 (.331) |
| DB | 44 | 273-0335-000 | 38,88 1.531) | 8,41 (.331) |
| DC | 62 | 273-0336-000 | 55,14 (2.171) | 8,41 (.331) |
| DD | 78 | 273-0337-000 | 52,78 (2.078) | 11,10 (.437) |

Material: Silastic Sheet

Potting Shell



Potting shells are molded with a thin flange 0,76 (.030) to permit the use of D Subminiature locking devices.

Materials and Finishes

Material: Nylon
Color: Natural (white)

| Shell Size | Layout | Part Number |
|------------|--------|-------------|
| DE | 9 | DE50904-1 |
| DA | 15 | DA50905-1 |
| DB | 25 | DB50906-1 |
| DC | 37 | DC50907-1 |
| DD | 50 | DD50908-1 |



Dimensions shown in mm (inch)
Specifications and dimensions subject to change

www.ittcannon.com

Cannon D-Subminiature Accessories

Index

| Standard RoHS Part # | Part # | Page # | StandardRoHS Part # | Part # | Page # | StandardRoHS Part # | Part # | Page # |
|----------------------|-------------|--------|---------------------|-------------|--------|---------------------|------------|--------|
| 075-0354-003 | Same | 22 | DA22214 | Same | 18 | DD121073-53 | Same | 4 |
| 250-8501-004 | Same | 5 | DA24658 | DA24658-28 | 9 | DD19678-4 | Same | 10 |
| 250-8501-009 | Same | 5 | DA50905-1 | Same | 22 | DD19977-4 | Same | 10 |
| 250-8501-010 | Same | 5 | DA51210 | Same | 12 | DD20964 | DD20964-32 | 9 |
| 250-8501-013 | Same | 5 | DA51211 | Same | 12 | DD21961 | Same | 18 |
| 273-0333-000 | Same | 22 | DA51220-1 | Same | 15 | DD21962 | Same | 19 |
| 273-0334-000 | Same | 22 | DA53750-1 | Same | 22 | DD24661 | Same | 9 |
| 273-0335-000 | Same | 22 | DA-59-20 | Same | 22 | DD50908-1 | Same | 22 |
| 273-0336-000 | Same | 22 | DA-60-20 | Same | 22 | DD51216 | Same | 12 |
| 273-0337-000 | Same | 22 | DABMA15PS | Same | 20 | DD51217 | Same | 12 |
| 980-2000-345 | Same | 6 | DABS-15 | Same | 11 | DD51223-1 | Same | 15 |
| 980-2000-346 | Same | 6 | DB115339-22 | Same | 9 | DD53750-4 | Same | 22 |
| 980-2000-347 | Same | 6 | DB121073-151 | Same | 4 | DD-59-20 | Same | 22 |
| 980-2000-348 | Same | 6 | DB121073-51 | Same | 4 | DD-60-20 | Same | 22 |
| 980-2000-350 | Same | 12 | DB19678-2 | DB19678-213 | 10 | DDBMA50PS | Same | 20 |
| 980-2000-351 | Same | 12 | DB19977-2 | DB19977-69 | 9 | DE111919 | Same | 19 |
| 980-2000-352 | Same | 12 | DB20962 | DB20962-30 | 10 | DE111920 | Same | 18 |
| 980-2000-353 | Same | 12 | DB22254 | Same | 18 | DE115339-20 | Same | 11 |
| 980-2000-354 | Same | 12 | DB22255 | Same | 19 | DE121073-154 | Same | 4 |
| D110277 | Same | 16 | DB24659 | DB24659-27 | 9 | DE121073-54 | Same | 4 |
| D110278 | Same | 16 | DB50906-1 | Same | 22 | DE19977-5 | DE19977-72 | 10 |
| D110279 | Same | 16 | DB51212 | Same | 12 | DE24657 | DE24657-29 | 9 |
| D110280 | Same | 16 | DB51213 | Same | 12 | DE44994 | DE44994-14 | 9 |
| D110550 | Same | 17 | DB51221-1 | Same | 15 | DE50904-1 | Same | 22 |
| D110551 | Same | 17 | DB53750-2 | Same | 22 | DE51218 | Same | 12 |
| D121073-19 | Same | 5 | DB-59-20 | Same | 22 | DE51219 | Same | 12 |
| D121073-39 | Same | 14 | DB-60-20 | Same | 22 | DE51224-1 | Same | 15 |
| D121073-42 | Same | 14 | DBBMA25PS | Same | 20 | DE53750 | Same | 22 |
| D20418-2 | D20418-134 | 14 | DBBS-25 | Same | 11 | DE-59-20 | Same | 22 |
| D20418-39 | D20418-136 | 14 | DC115339-23 | Same | 11 | DE-60-20 | Same | 22 |
| D20418-50 | D20418-135 | 14 | DC121073-152 | Same | 4 | DEBMA9PS | Same | 20 |
| D20418-74 | D20418-137 | 14 | DC121073-52 | Same | 4 | DEBS-9 | Same | 11 |
| D20419 | D20419-211 | 13 | DC19678-3 | DC19678-214 | 9 | | | |
| D20419-104 | D20419-214 | 13 | DC19977-3 | DC19977-70 | 9 | | | |
| D20419-18 | D20419-212 | 13 | DC20963 | DC20963-27 | 9 | | | |
| D20419-21 | D20419-213 | 13 | DC22070 | Same | 19 | | | |
| D20420 | D20420-157 | 13 | DC22071 | Same | 18 | | | |
| D20420-13 | D20420-158 | 13 | DC24660 | Same | 7 | | | |
| D20420-15 | D20420-159 | 13 | DC50907-1 | Same | 22 | | | |
| D20420-86 | D20420-160 | 13 | DC51214 | Same | 12 | | | |
| D53018 | Same | 15 | DC51215 | Same | 12 | | | |
| DA115339-21 | Same | 11 | DC51222-1 | Same | 15 | | | |
| DA121073-150 | Same | 4 | DC53750-3 | Same | 22 | | | |
| DA121073-50 | Same | 4 | DC-59-20 | Same | 22 | | | |
| DA19678-1 | DA19678-212 | 10 | DC-60-20 | Same | 22 | | | |
| DA19977-1 | DA19977-68 | 10 | DCBMA37PS | Same | 20 | | | |
| DA20961 | DA20961-26 | 9 | DD115339-24 | Same | 11 | | | |
| DA22213 | Same | 19 | DD121073-153 | Same | 4 | | | |

Dimensions shown in mm (inch)
Specifications and dimensions subject to change

www.ittcannon.com

Product Safety and Warranty

1. MATERIAL CONTENT AND PHYSICAL FORM

Electrical connectors do not usually contain hazardous materials. They contain conducting and non-conducting materials and can be divided into two groups.

a) Printed circuit types and low cost audio types which employ all plastic insulators and casings.

b) Rugged, Fire Barrier and High Reliability types with metal casings and either natural rubber, synthetic rubber, plastic or glass insulating materials. Contact materials vary with type of connector and also application and are usually manufactured from either: Copper, copper alloys, nickel, alumel, chromel or steel. In special applications, other alloys may be specified.

2. FIRE CHARACTERISTICS AND ELECTRIC SHOCK HAZARD

There is no fire hazard when the connector is correctly wired and used within the specified parameters. Incorrect wiring or assembly of the connector or careless use of metal tools or conductive fluids, or transit damage to any of the component parts may cause electric shock or burns. Live circuits must not be broken by separating mated connectors as this may cause arcing, ionization and burning. Heat dissipation is greater at maximum resistance in a circuit. Hot spots may occur when resistance is raised locally by damage, e.g. cracked or deformed contacts, broken strands of wire. Local overheating may also result from the use of the incorrect application tools or from poor quality soldering or slack screw terminals. Overheating may occur if the ratings in the product Data Sheet/Catalog are exceeded and can cause breakdown of insulation and hence electric shock. If heating is allowed to continue it intensifies by further increasing the local resistance through loss of temper of spring contacts, formation of oxide film on contacts and wires and leakage currents through carbonization of insulation and tracking paths. Fire can then result in the presence of combustible materials and this may release noxious fumes. Overheating may not be visually apparent. Burns may result from touching overheated components.

3. HANDLING

Care must be taken to avoid damage to any component parts of electrical connectors during installation and use. Although there are normally no sharp edges, care must be taken when handling certain components to avoid injury to fingers. Electrical connectors may be damaged in transit to the customers, and damage may result in creation of hazards. Products should therefore be examined prior to installation/use and rejected if found to be damaged.

4. DISPOSAL

Incineration of certain materials may release noxious or even toxic fumes.

5. APPLICATION

Connectors with exposed contacts should not be selected for use on the current supply side of an electrical circuit, because an electric shock could result from touching exposed contacts on an unmated connector. Voltages in excess of 30 V ac or 42.5 V dc are potentially hazardous and care should be taken to ensure that such voltages cannot be transmitted in any way to exposed metal parts of the connector body. The connector and wiring should be checked, before making live, to have no damage to metal parts or insulators, no solder blobs, loose strands, conducting lubricants, swarf, or any other undesired conducting particles. Circuit resistance and continuity check should be made to make certain that there are no high resistance joints or spurious conducting paths. Always use the correct application tools as specified in the Data Sheet/Catalog. Do not permit untrained personnel to wire, assemble or tamper with connectors. For operation voltage please see appropriate national regulations.

IMPORTANT GENERAL INFORMATION

(i) Air and creepage paths/Operating voltage. The admissible operating voltages depend on the individual applications and the valid national and other applicable safety regulations.

For this reason the air and creepage path data are only reference values. Observe reduction of air and creepage paths due to PC board and/or harnessing.

(ii) Temperature

All information given are temperature limits. The operation temperature depends on the individual application.

(iii) Other important information

Cannon continuously endeavors to improve their products. Therefore, Cannon products may deviate from the description, technical data and shape as shown in this catalog and data sheets.

ITT Cannon, a Division of ITT Inc., manufactures the highest quality products available in the marketplace; however these products are intended to be used in accordance with the specifications in this publication. Any use or application that deviates from the stated operating specifications is not recommended and may be unsafe. No information and data contained in this publication shall be construed to create any liability on the part of Cannon. Any new issue of this publication shall automatically invalidate and supersede any and all previous issues.

This publication is not to be construed as an offer. It is intended merely as an invitation to make an offer. By this publication, Cannon does not assume responsibility or any liability for any patent infringements or other rights of third parties which may result from its use.

Reprinting this publication is generally permitted, indicating the source. However, Cannon's prior consent must be obtained in all cases. "Engineered for life" is a registered trademark of ITT Corporation ©2006. All other trademarks or registered trademarks are property of their respective owners. All dates subject to change without notice.

Commodities in this catalog may be controlled for export by the International Traffic in Arms Regulations (ITAR) and Export Administration Regulations (EAR) when specifically designed modified, or configured for articles controlled by the United States Government.



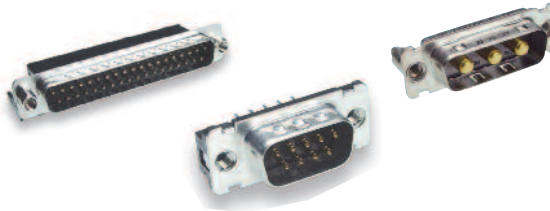
Circular/Filter/Hermetic Connectors

As a world leader in circular, filter, and hermetic connectors, ITT Cannon can leverage its design and manufacturing expertise to fit virtually any application. Our expertise includes fast positive mating for a wide range of military applications, as well as numerous sizes and contact configurations for various harsh environments.



D-Subminiature Connectors

Cannon invented D-sub connectors in 1952. Our family of D-Subs now includes combinations of signal, power and RF, as well as severe service sealed connectors. Cannon D-Subs are available with an extensive line of backshells and accessories and are one of the most economical shielded connector solutions available.



Fiber Optic Connectors and Cable Assemblies

Cannon fiber optic solutions provide an excellent performance/cost value. Performance may be tailored to the end system, with our use of superior materials and bonding agents providing highly effective solutions. Our wide variety of products include fiber optic hybrid contacts, multi-channel, rack and panel and hi-rel assemblies.



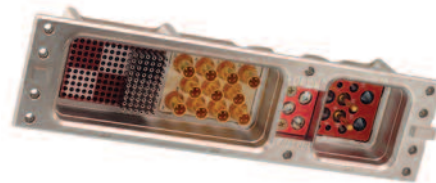
Microminiature Connectors

Developed first by Cannon in the 1960s, Microminiature Connectors offer high performance and reliability with exceptional versatility. Available in rectangular, circular and strip-style configurations for countless applications, many of our highly engineered Microminiature connector products meet critical customer demands in multiple applications across the Aerospace & Defense industry.



Rack and Panel Connectors

Pioneered by Cannon during the 1930s, our Rack & Panel Connectors offer an unmatched variety of shell configurations and insert arrangements, as well as materials, plating and contact options. Today, we are recognized as an industry leader, offering an unparalleled range of off-the-shelf and custom Rack & Panel products to align with customer needs.



RF Connectors

ITT Cannon has been providing interconnect products to the Microwave and RF industry since 1963 (formerly The Sealelectro Corporation). The RF 50 & 75 Ohm product lines cover UHF band through Ku band requirements. These connectors and cable assemblies are available with a thread type, snap type, bayonet type or slide on coupling method. The frequencies range from DC to 18+ GHz.



ITT Cannon is a leading global manufacturer of connector products serving international customers in the aerospace and defense, medical, energy, transportation and industrial end markets. Whether delivering critical specs to aircraft pilots, streaming data through communications satellites or enabling ultrasound technology that gives an expectant mother the first glimpse of her unborn child, Cannon connects the world's most important information with the people who need it. **To learn more, visit www.ittcannon.com**





ITT

Customer Support Locations

CHINA

Tuopandun Industrial Area, Jinda Cheng,
Xiner Village, Shajing Town,
Baoan District, Shenzhen City,
Guangdong, China 518125
phone: +86.755.2726.7888
fax: +86.755.2726.7515

GERMANY

Cannonstrasse 1
Weinstadt, 71384
phone: +49.7151.699.0
fax: +49.7151.699.217

FRANCE

15, Boulevard Robert Thiboust
Serris, France 77700
phone: +33.1.60.04.93.93
fax: +33.1.60.04.93.90

HONG KONG

Units 2405-6, 24/F, ING Tower
308 Des Voeux Road
Central
Hong Kong
phone: +852.2732.2720
fax: +852.2732.2919

ITALY

Corso Europa 41/43
Lainate (MI), Italy 20020
phone: +39.02938721
fax: +39.0293872300

JAPAN

11-3, 5 Chome, Hibarigaoka, Zama-shi
Kanagawa, Japan 228-0003
phone: +81.462.57.2010
fax: +81.462.57.1680

UK

Jays Close, Viabes Estate
Basingstoke, RG22 4BA
phone: +44.1256.311200
fax: +44.1256.323356

USA

56 Technology Drive
Irvine, CA 92618
phone: 1.800.854.3028
fax: 1.714.628.2142

©2017 ITT Inc. | ITT Cannon D-Subminiature Accessories Catalog | 20170724

The "ITT Engineered Blocks" symbol, "Engineered for life," "ITT" and "Cannon" are registered trademarks of ITT Inc. Specification and other data are based on information available at the time of printing, and are subject to change without notice.

Our facility is not currently certified by the DLA and this product is not covered by the QPL/QML.

X-ON Electronics

Largest Supplier of Electrical and Electronic Components

Click to view similar products for [Heavy Duty Power Connectors](#) category:

Click to view products by [ITT](#) manufacturer:

Other Similar products are found below :

[1424439](#) [1424438](#) [09330062652](#) [2-8675P1](#) [580129-2](#) [605601-1](#) [6340G1](#) [6341G1](#) [6360G1](#) [6373G1](#) [6374g2](#) [6396G1](#) [647757-1](#) [66394-4](#)
[6643411-1](#) [6646058-2](#) [6646137-1](#) [6646138-1](#) [6646348-1](#) [6646479-1](#) [6646608-1](#) [6646786-1](#) [6646940-1](#) [6651091-1](#) [6651525-1](#) [6651529-1](#)
[6651778-1](#) [6651788-1](#) [696465-1](#) [696475-1](#) [73000005059](#) [73000005349](#) [73000005642](#) [73080255059](#) [73080965046](#) [765-15-0080A](#)
[765-16-0080B](#) [789.700-44](#) [789.700-54](#) [80-1010](#) [80-9](#) [827381-1](#) [829992-1](#) [902-77-02113](#) [PL00U-301-10D10](#) [PM103MOOLOO](#)
[PM16S1620S32-50](#) [PM212MOOLOO](#) [PM309FOOLOO](#) [PM324FOOLCH](#)