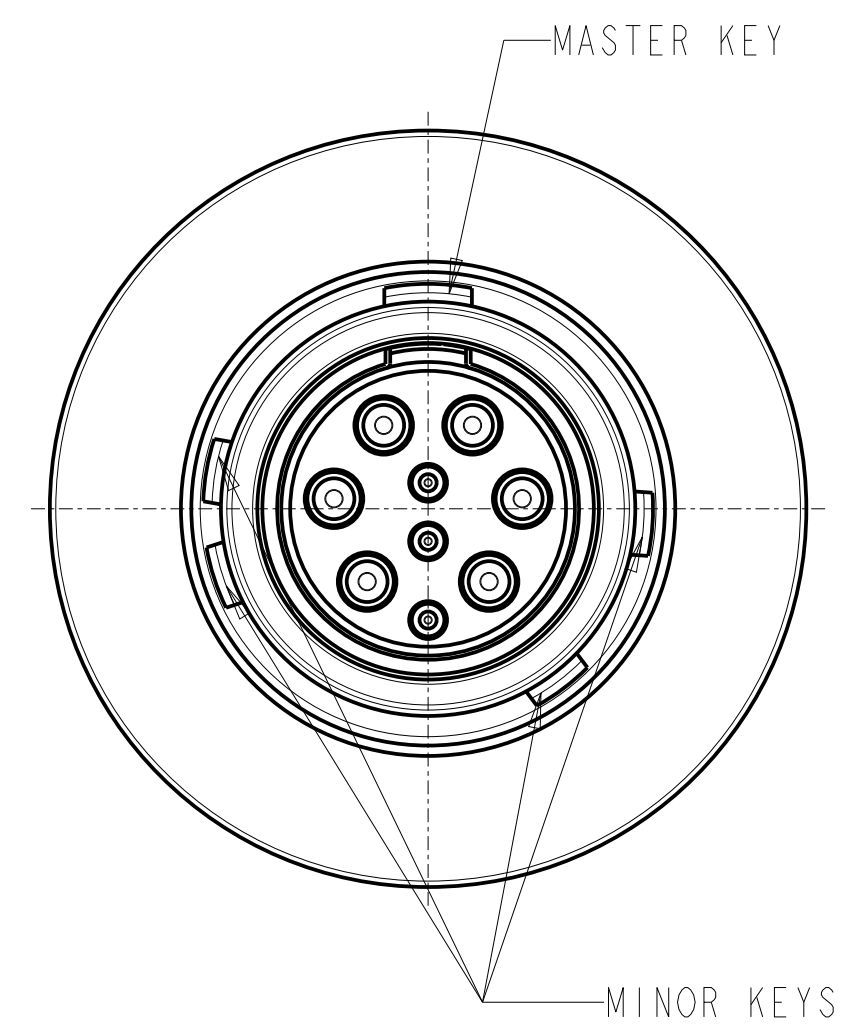


THIS IS ISSUED IN STRICT CONFIDENCE ON CONDITION THAT IT IS NOT USED AS A BASIS FOR MANUFACTURE OR SALE, AND THAT IT IS NOT COPIED, REPRINTED OR DISCLOSED TO A THIRD PARTY EITHER WHOLLY OR IN PART WITHOUT THE PRIOR WRITTEN CONSENT OF ITT CANNON.

DWG NO. 028029Y0101		SH 1	REV -	
REV	DCR	DESCRIPTION		DATE
-	-	INITIAL DRAWING RELEASE		



2 0-09 ARR FRONT VIEW SHOWN

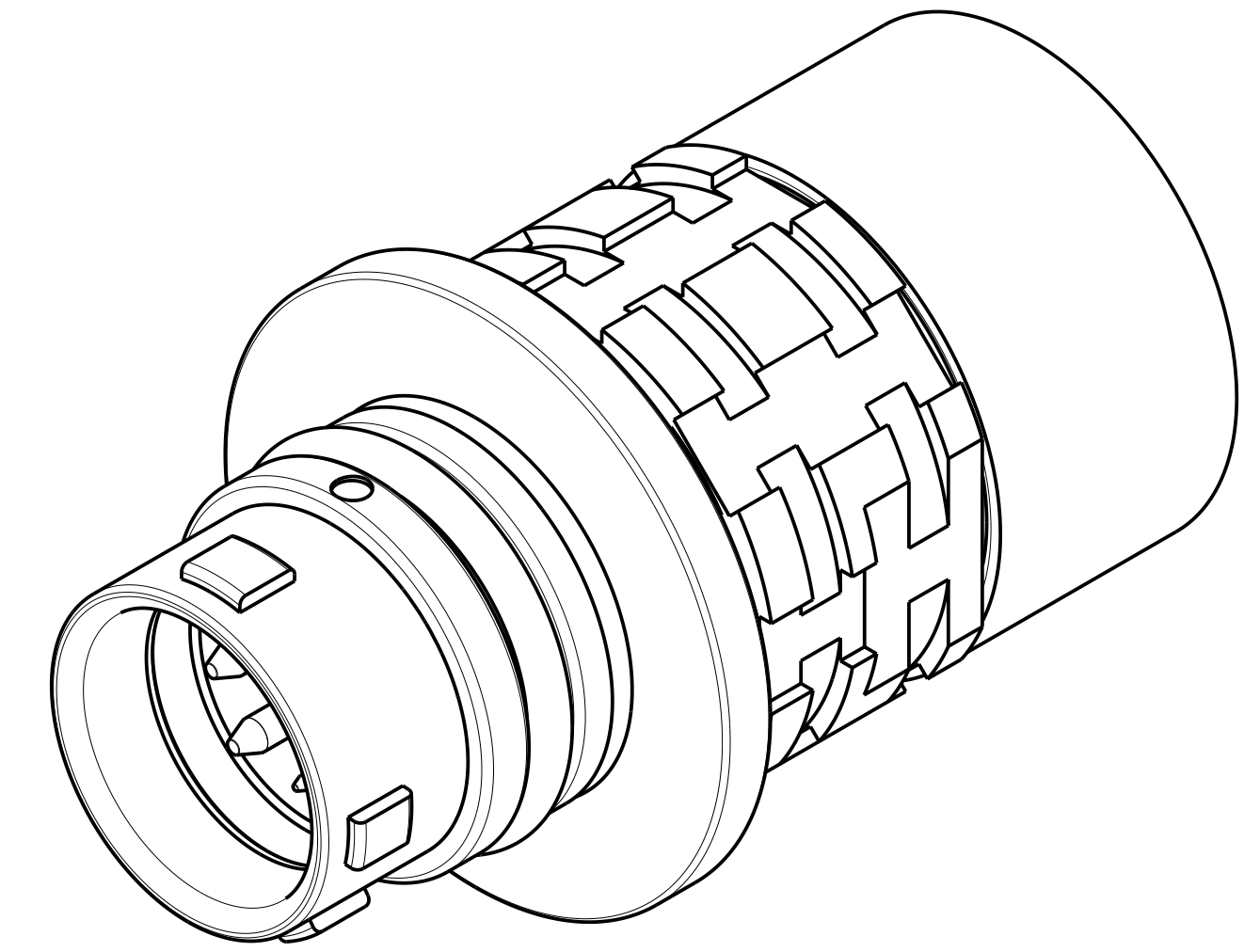
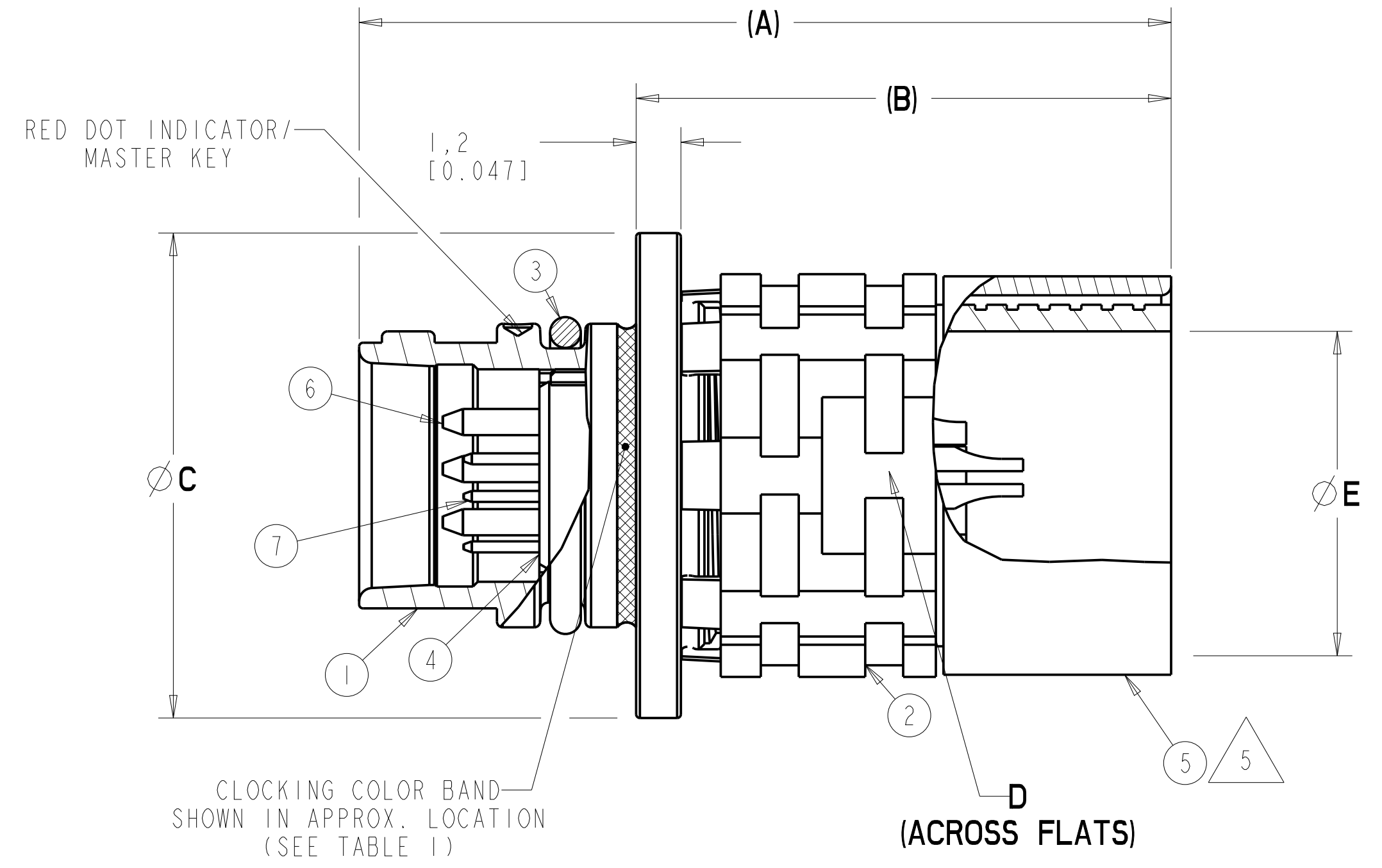


TABLE I - CLOCKING ARR.

CLOCKING	COLOR BAND
A	BROWN
B	RED
C	BLUE
D	GREEN

TABLE II - LAYOUT & DIMENSIONS

SIZE - LAYOUT	CONTACT DIAMETER	A	B	Ø C	D (ACROSS FLATS)	Ø E MAX CABLE
0-09	M - MULTI	21,5	14,2	12,8	10	7
0-12	M - MULTI	[.846]	[.559]	[.504]	[.394]	[.276]
0-16	B - 0,3mm					
1-20	M - MULTI	25,2	18,2	14,8	12	8,5
1-27	B - 0,3mm	[.992]	[.717]	[.583]	[.472]	[.335]

EXPLANATION OF PART NUMBER

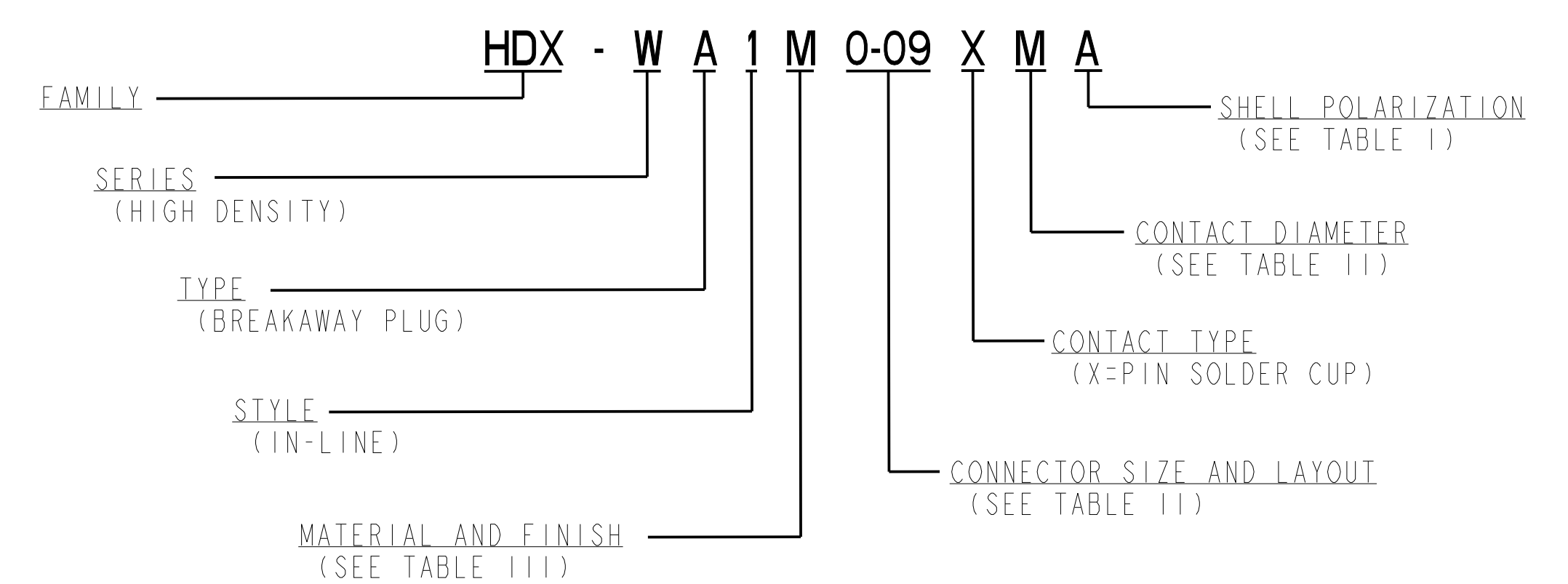


TABLE III - MATERIALS AND FINISHES

ITEM NUMBER	COMPONENT	MATERIAL	PLATING
1	PLUG BARREL	M - BRASS/ RUTHENIUM OVER ELECTROLESS NICKEL (ROH)	
2	BACKSHELL	BRASS / ELECTROLESS NICKEL	
3	O-RING	FLUOROSILICONE	N/A
4	INSULATOR	POLYETHERIMIDE, GF	N/A
5	CRIMP SLEEVE	COPPER ALLOY	ELECTROLESS NICKEL
6	POWER CONTACTS	COPPER ALLOY	GOLD OVER NICKEL
7	SIGNAL CONTACTS	COPPER ALLOY	GOLD OVER NICKEL

PERFORMANCE PROPERTIES

POWER CONTACTS, 0,7mm	AWG 22 CURRENT RATING 5A (SINGLE CONTACT)
SIGNAL CONTACTS, 0,3mm	AWG 28 CURRENT RATING 1A (SINGLE CONTACT)
INSULATION RESISTANCE	100 MΩ MINIMUM
DWV	NO BREAKDOWN AT OR BELOW 1000 VDC
RATED VOLTAGE	250V
OPERATING TEMPERATURE	-51°C TO +125°C
WATER TIGHTNESS	20m DEPTH FOR 120MIN (IPX8) PER MIL-STD-810G METHOD 512.5, PROCEDURE I
VIBRATION	TIGHTNESS TO IPX9K PER ISO 20653 2013-02-15
SHOCK	15g (SINE), 10-2,000HZ, NO DISCONTINUITY>1µs EIA-364-28F
MECHANICAL DURABILITY	50g AMPLITUDE, 1/2 SINE PULSE OF 6ms, NO DISCONTINUITY>1µs EIA-364-27C
	5,000 MATING CYCLES

NOTES: UNLESS OTHERWISE SPECIFIED.

- DIMENSION UNITS: MM [INCH]. INCHES ARE FOR REFERENCE ONLY.
- FOR ADDITIONAL CAVITY LAYOUT INFORMATION, REF CSA-HDX.
- RECOMMENDED TORQUE FOR BACKSHELL: (APPLICATION OF THREADLOCKER TO BACKSHELL THREADS IS RECOMMENDED.)
SIZE 0 - 0.5Nm [4.4in-lbs]
SIZE 1 - 1Nm [8.8 in-lbs]
- RECOMMENDED CRIMP DIE M22520/5-23. (FOR SIZE 0)
RECOMMENDED CRIMP DIE M22520/5-21. (FOR SIZE 1)
HAND CRIMP TOOL M22520/5-01.
- CRIMP SLEEVE TO BE SHIPPED LOOSE.
- CONSULT FACTORY FOR TOOLS AND/OR TERMINATION PROCESS.

RoHS COMPLIANCE CODE

NTC - not RoHS compliant
ROC - RoHS not hi-temp
ROH - RoHS & hi-temp (260°C)
NOTE - REFER TO TABLE/NOTES

NOTE

ITT Cannon LLC
56 Technology Drive, IRVINE, CA 92618

UNLESS OTHERWISE SPECIFIED: METRIC	WEIGHT	CRITICAL DIM	0
DEFAULT ANGLE TOLERANCE IS ±1°	DENSITY	SPC DIM	0
DEFAULT LENGTH TOLERANCE IS ±0.13 MM (.005) IN.	VOLUME	KEY CHARACTERISTICS	0
REMOVE ALL BURRS AND SHARP EDGES 0.13 (.005) MAX.			
SURFACE FINISH SHALL BE 1.6 µM (63 WINT) RMS MAX.			
DRAWN C. HA	DATE 02/18/22	SURFACE AREA	
CHECKED A. ABLOTT	DATE 04/01/22	REF	
APPROVED S. VILLARRUEL	DATE 04/01/22	PART NO	VARIOUS
UNLESS OTHERWISE SPECIFIED: METRIC	SCALE	DESCRIPTION	
DIMENSIONS ARE IN MM'S AND (INCHES).	8.000	CONNECTOR, PLUG, ELECTRICAL	
DIM'S AND TOL'S ARE PER ASME Y14.5M-1994.	8.000	HDX, INLINE BREAKAWAY	
DO NOT SCALE DRAWING.	71468	PIN CONTACTS, MASTER ASSY	
3RD ANGLE PROJECTION	SIZE D	SHEET C	
	1 / 1		
			028029Y0101
			REV -

X-ON Electronics

Largest Supplier of Electrical and Electronic Components

Click to view similar products for [Circular Push Pull Connectors](#) category:

Click to view products by [ITT](#) manufacturer:

Other Similar products are found below :

[6407-249V-11273P](#) [6408-201V-13273](#) [6408-202V-13343](#) [6408-202V-17343](#) [FAG.2B.319.CYC](#) [FGA.1B.307.CYCD72Z](#)
[FGC.0B.309.CLAD56](#) [FLS.01.250.DLAE24](#) [PFG.1B.308.CYZZ](#) [PKG.M0.6BL.LZ](#) [PLC.M1.0SL.LA](#) [GMA.2B.045.DJ](#) [GMA.3B.090.DA](#)
[PRG.M0.6GL.LC52GZ](#) [ABF.1S.250.NTA](#) [1332M107MS](#) [EAJ.1B.306.CWA](#) [1589430-2](#) [ELF.00.250.NTL](#) [ERA.01.250.DLL](#)
[BRD.0B.200.PCSG](#) [HVP.03.250.CLLPV](#) [CAH.M34.SLL.C72GZ](#) [CAJ.M34.SLL.C72GZ](#) [300500](#) [EXG.0B.309.HLN](#) [FFB.1S.250.CLAC27](#)
[FLC.00.250.CTAC31](#) [FPG.0B.305.CLAD52](#) [PCS.01.250.DLLE31](#) [PKC.M0.7GL.NG](#) [PKG.M0.4TL.LZ](#) [PXG.M0.8GG.NG](#)
[HEG.1B.307.CLNP](#) [BRR.3S.200.PZVG](#) [JDXEP2T19FSN](#) [400374](#) [DTA.99.700.5Z](#) [ECG.00.304.CLL](#) [ECP.0S.304.CLN](#) [EEG.1B.306.CYZ](#)
[MS3117-12BU](#) [EGA.00.303.CLL](#) [SAN.M13.GLA.6G](#) [6408-201V-11343](#) [6408-202V-25273](#) [PAC.M0.4NL.AC52J](#) [980-0009-471](#)
[NCG044SC2DC006](#) [13303PM20](#)