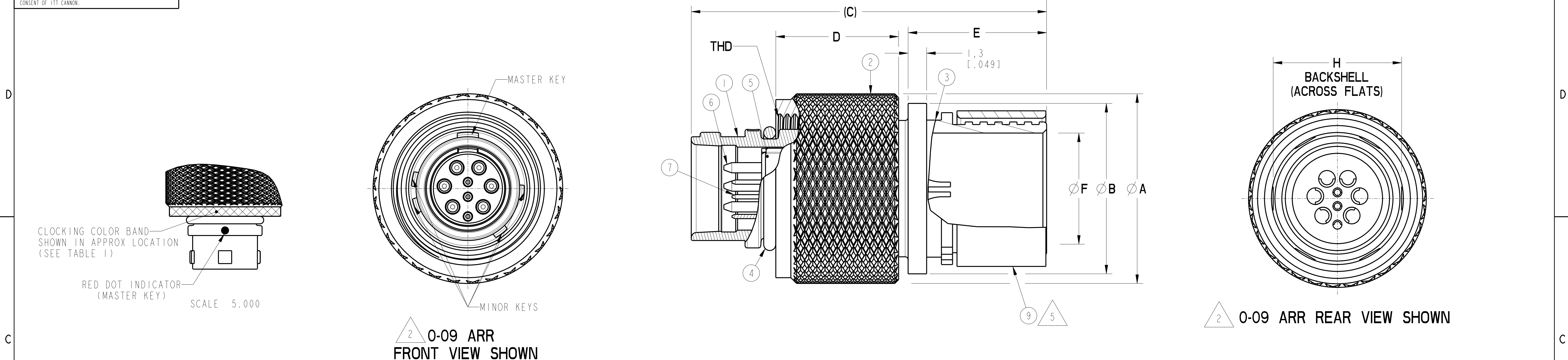


THIS IS ISSUED IN STRICT CONFIDENCE ON CONDITION THAT IT IS NOT USED AS A BASIS FOR MANUFACTURE OR SALE, AND THAT IT IS NOT COPIED, REPRINTED OR DISCLOSED TO A THIRD PARTY EITHER WHOLLY OR IN PART WITHOUT THE PRIOR WRITTEN CONSENT OF ITT CANNON.

DWG NO. 028029Y0103		SR	REV	I	-
REV	DCR	DESCRIPTION		DATE	APPROVAL
-	-	INITIAL DRAWING RELEASE			



**TABLE I - CLOCKING ARR.**

CLOCKING	COLOR BAND
A	BROWN
B	RED
C	BLUE
D	GREEN

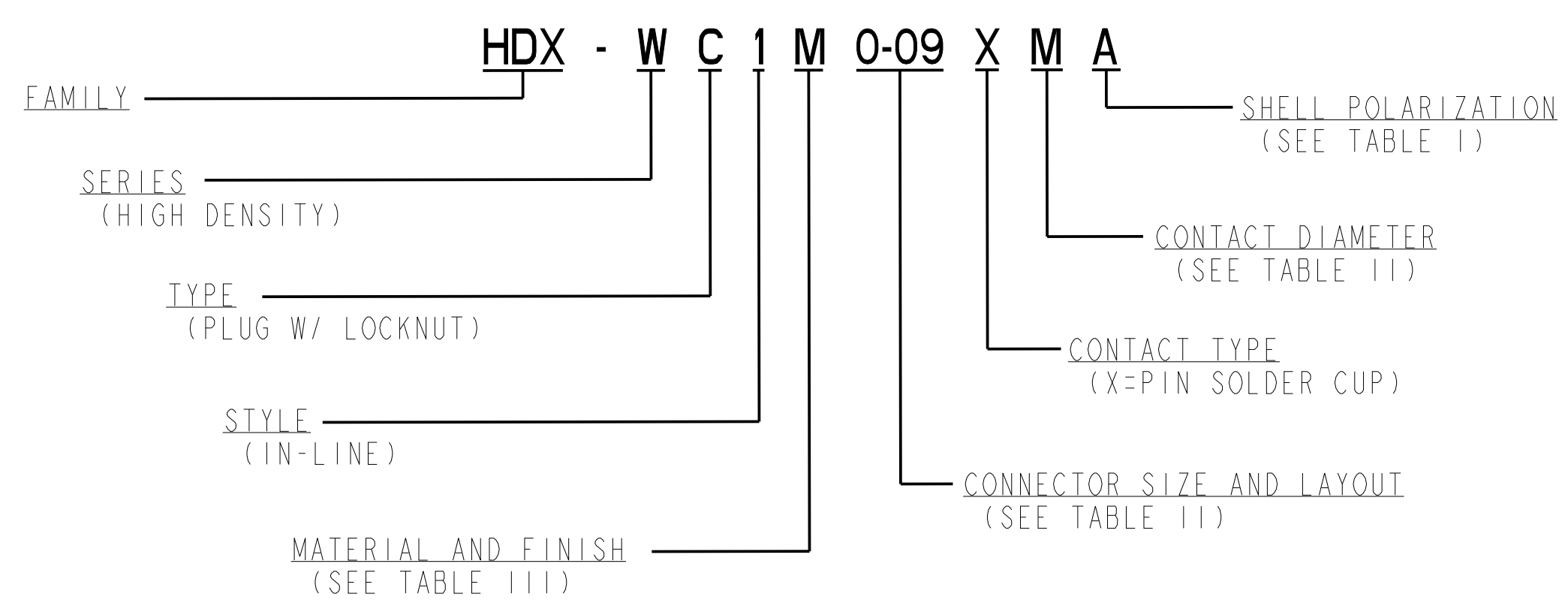
**TABLE II - LAYOUT & DIMENSIONS**

SIZE - LAYOUT	CONTACT DIA.	ØA	ØB	C	D	E	ØF MAX CABLE	H	THD
0-09	M - MULTI	12,8	11,5	24	8,3	9,4	6,5	9,5	M10 X 0,5
0-12	M - MULTI	[.504]	[.453]	[.945]	[.327]	[.37]	[.256]	[.374]	
0-16	B - 0,3 mm								
1-20	M - MULTI	15,2	13,9	25	8,4	9,8	8,0	11,5	M12 X 0,5
1-27	B - 0,3mm	[.598]	[.547]	[.984]	[.331]	[.385]	[.315]	[.453]	

**TABLE III - MATERIALS AND PLATINGS**

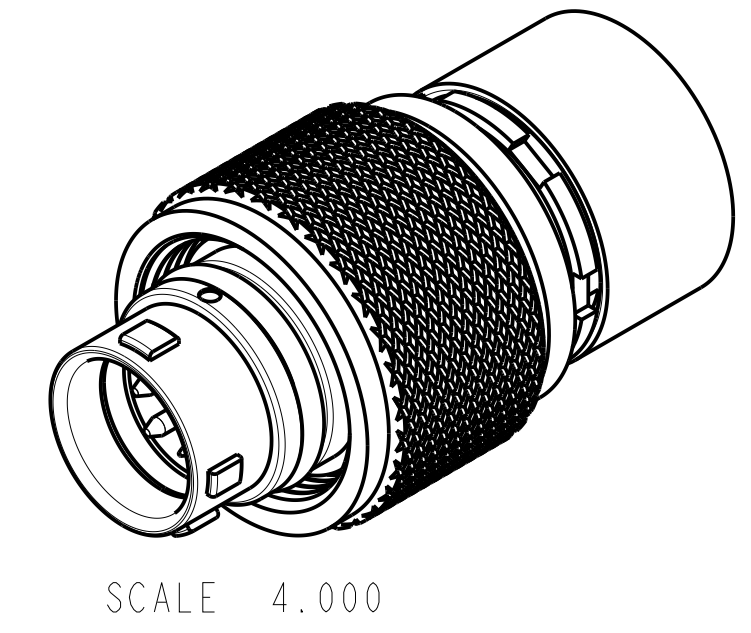
ITEM NUMBER	COMPONENT	MATERIAL	PLATING
1	PLUG BARREL	M- BRASS / RUTHENIUM OVER ELECTROLESS NICKEL (ROH)	
2	COUPLING NUT		
3	BACKSHELL	BRASS / ELECTROLESS NICKEL	
4	O-RING	FLUOROSILICONE	N/A
5	INSULATOR	POLYETHERIMIDE, GF	N/A
6	POWER CONTACTS	COPPER ALLOY	GOLD OVER NICKEL
7	SIGNAL CONTACTS	COPPER ALLOY	GOLD OVER NICKEL
8 (NOT SHOWN)	INTERNAL SPRING	STAINLESS STEEL	N/A
9	CRIMP SLEEVE	COPPER ALLOY	ELECTROLESS NICKEL

**EXPLANATION OF PART NUMBER**



**PERFORMANCE PROPERTIES**

POWER CONTACTS, 0,7mm	AWG 22 CURRENT RATING 5A (SINGLE CONTACT)
SIGNAL CONTACTS, 0,3mm	AWG 28 CURRENT RATING 1A (SINGLE CONTACT)
INSULATION RESISTANCE	100 MΩ MINIMUM
DWV	NO BREAKDOWN AT OR BELOW 1000 VDC
RATED VOLTAGE	250V
OPERATING TEMPERATURE	-51 °C TO +125 °C
WATER TIGHTNESS	20m DEPTH FOR 120 MIN (IPX8) PER MIL-STD-810G METHOD 512.5, PROCEDURE 1
VIBRATION	TIGHTNESS TO IPX9K PER ISO 20653 2013-02-15
SHOCK	15g (SINE), 10-2,000HZ, NO DISCONTINUITY > 1µs EIA-364-28F
MECHANICAL DURABILITY	50g AMPLITUDE, 1/2 SINE PULSE OF 6ms, NO DISCONTINUITY > 1µs EIA-364-27C
	5,000 MATING CYCLES



NOTES: UNLESS OTHERWISE SPECIFIED.

- ALL DIMENSIONS SHOWN ARE IN METRIC, MM. [INCH] DIMENSIONS ARE FOR REFERENCE ONLY.
- FOR ADDITIONAL CAVITY LAYOUT INFORMATION, REF CSA-HDX.
- RECOMMENDED TORQUE FOR BACKSHELL:  
(APPLICATION OF THREADLOCKER TO BACKSHELL THREADS IS RECOMMENDED.)  
SIZE 0 - 0.5Nm [4.4in-lbs]  
SIZE 1 - 1Nm [8.8 in-lbs]

NOTES CONT'D:

- RECOMMENDED CRIMP DIE M22520/5-23. (FOR SIZE 0)  
RECOMMENDED CRIMP DIE M22520/5-21. (FOR SIZE 1)  
HAND CRIMP TOOL M22520/5-01.
- CRIMP SLEEVE TO BE SHIPPED LOOSE.
- CONSULT FACTORY FOR TOOLS AND/OR TERMINATION PROCESS.

**RoHS COMPLIANCE CODE**

NTC - not RoHS compliant  
ROC - RoHS not hi-temp  
ROH - RoHS & hi-temp (260°C)  
NOTE - REFER TO TABLE/NOTES

**NOTE**

**ITT Cannon LLC**  
56 Technology Drive, IRVINE, CA 92618

UNLESS OTHERWISE SPECIFIED: METRIC	WEIGHT	CRITICAL DIM	0
DEFAULT ANGLE TOLERANCE IS ±1°	DENSITY	SPC DIM	0
DEFAULT LENGTH TOLERANCE IS ±0.13 MM (.005) IN.	VOLUME	KEY CHARACTERISTICS	0
REMOVE ALL BURRS AND SHARP EDGES 0.13 (.005) MAX.			
SURFACE FINISH SHALL BE 1.6 µM (63 µIN) RMS MAX.			
DRAWN C. HA	DATE 02/18/22	SURFACE AREA	
CHECKED A. ABLOTT	DATE 04/01/22	REF	
APPROVED S. VILLARRUEL	DATE 04/01/22	PART NO	VARIOUS
UNLESS OTHERWISE SPECIFIED: METRIC	SCALE	DESCRIPTION	
DIMENSIONS ARE IN MM'S AND [INCHES].	8.000	CONNECTOR, PLUG, ELECTRICAL	
DIMENSIONAL LIMITS APPLY BEFORE PLATING.	71468	HDX, INLINE LOCKING BREAKAWAY	
DIMS AND TOL'S ARE PER ASME Y14.5M-1994.	SIZE	PIN CONTACTS, MASTER DWG	
DO NOT SCALE DRAWING.	USE		
3RD ANGLE PROJECTION	D		
	C		
	SIZE	SHEET	REV
	1	1 / 1	-
		028029Y0103	

## X-ON Electronics

Largest Supplier of Electrical and Electronic Components

*Click to view similar products for [Circular Push Pull Connectors](#) category:*

*Click to view products by [ITT](#) manufacturer:*

Other Similar products are found below :

[6407-249V-11273P](#) [6408-201V-13273](#) [6408-202V-13343](#) [6408-202V-17343](#) [FAG.2B.319.CYC](#) [FGA.1B.307.CYCD72Z](#)  
[FGC.0B.309.CLAD56](#) [FLS.01.250.DLAE24](#) [PFG.1B.308.CYZZ](#) [PKG.M0.6BL.LZ](#) [PLC.M1.0SL.LA](#) [GMA.2B.045.DJ](#) [GMA.3B.090.DA](#)  
[PRG.M0.6GL.LC52GZ](#) [ABF.1S.250.NTA](#) [1332M107MS](#) [EAJ.1B.306.CWA](#) [1589430-2](#) [ELF.00.250.NTL](#) [ERA.01.250.DLL](#)  
[BRD.0B.200.PCSG](#) [HVP.03.250.CLLPV](#) [CAH.M34.SLL.C72GZ](#) [CAJ.M34.SLL.C72GZ](#) [300500](#) [EXG.0B.309.HLN](#) [FFB.1S.250.CLAC27](#)  
[FLC.00.250.CTAC31](#) [FPG.0B.305.CLAD52](#) [PCS.01.250.DLLE31](#) [PKC.M0.7GL.NG](#) [PKG.M0.4TL.LZ](#) [PXG.M0.8GG.NG](#)  
[HEG.1B.307.CLNP](#) [BRR.3S.200.PZVG](#) [JDXEP2T19FSN](#) [400374](#) [DTA.99.700.5Z](#) [ECG.00.304.CLL](#) [ECP.0S.304.CLN](#) [EEG.1B.306.CYZ](#)  
[MS3117-12BU](#) [EGA.00.303.CLL](#) [SAN.M13.GLA.6G](#) [6408-201V-11343](#) [6408-202V-25273](#) [PAC.M0.4NL.AC52J](#) [980-0009-471](#)  
[NCG044SC2DC006](#) [13303PM20](#)