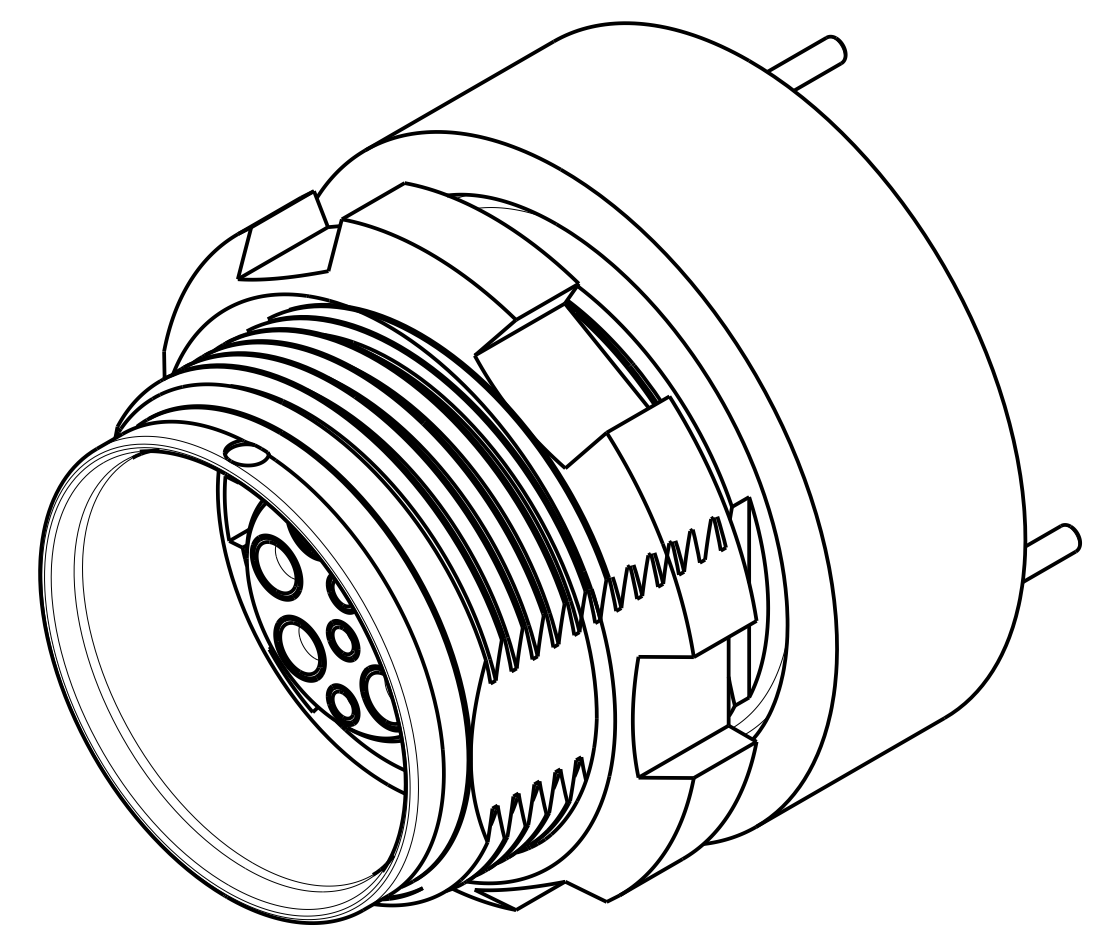
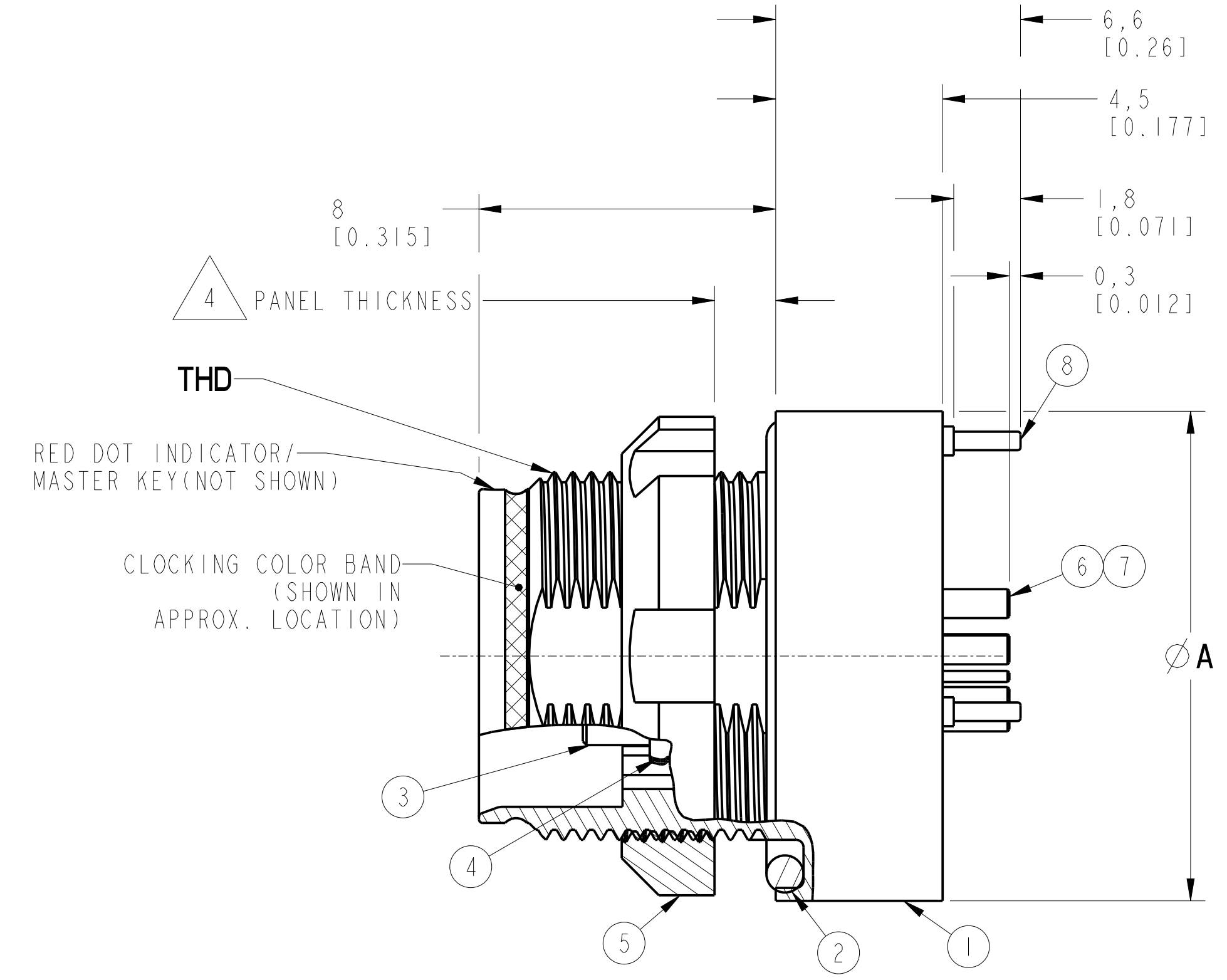
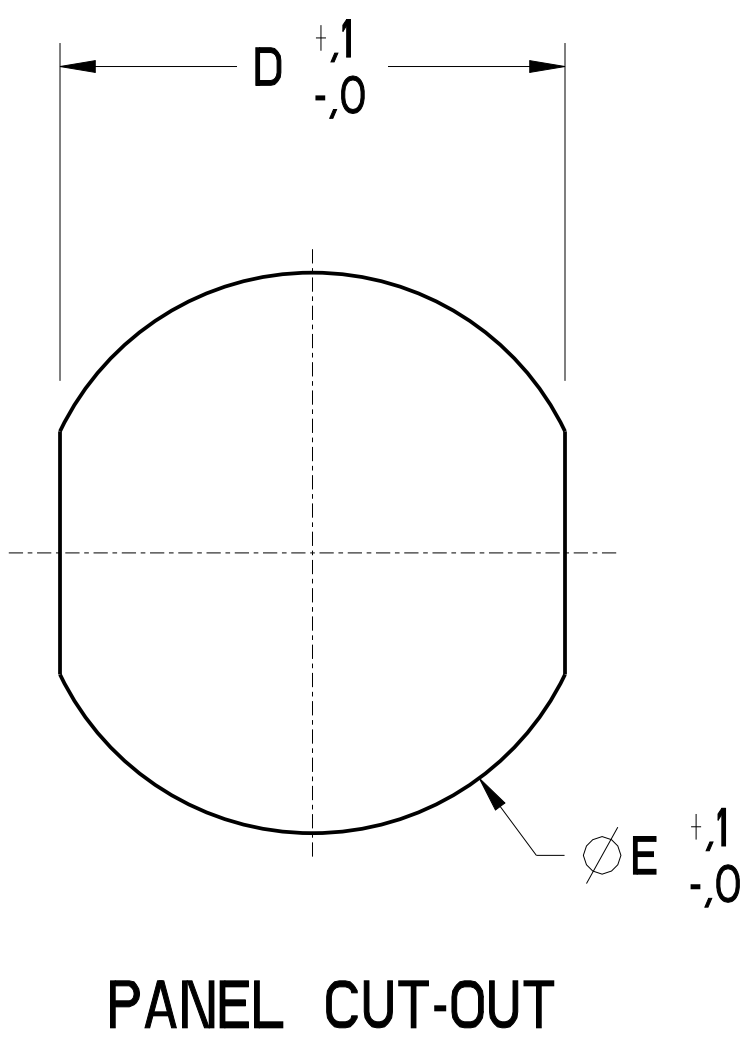
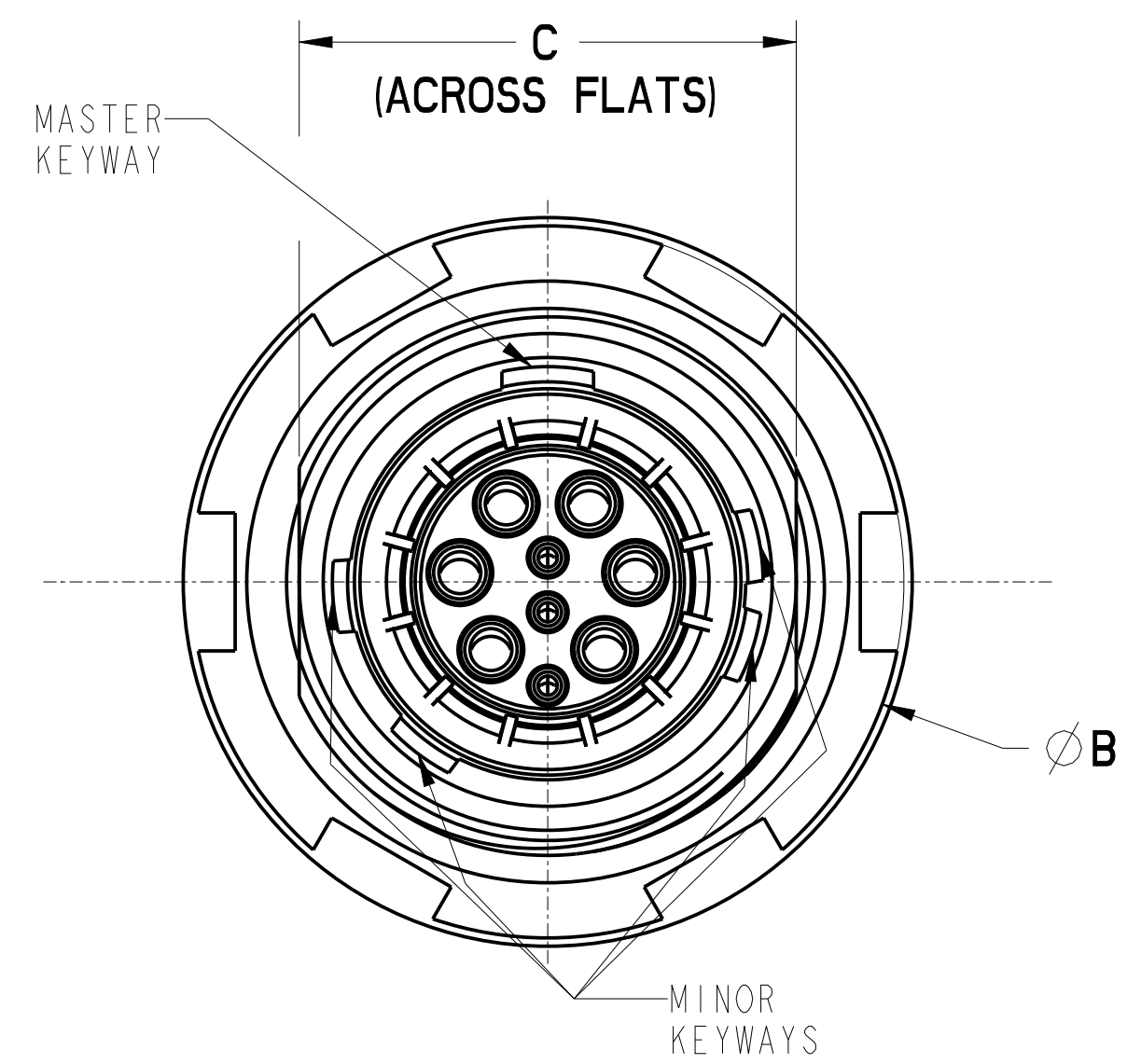


THIS IS ISSUED IN STRICT CONFIDENCE ON CONDITION THAT IT IS NOT USED AS A BASIS FOR MANUFACTURE OR SALE, AND THAT IT IS NOT COPIED, REPRINTED OR DISCLOSED TO A THIRD PARTY EITHER WHOLLY OR IN PART WITHOUT THE PRIOR WRITTEN CONSENT OF ITT CANNON.

DWG NO. 028030Y0101		SH I	REV -
REV	DCR	DESCRIPTION	DATE
-		INITIAL DRAWING RELEASE	

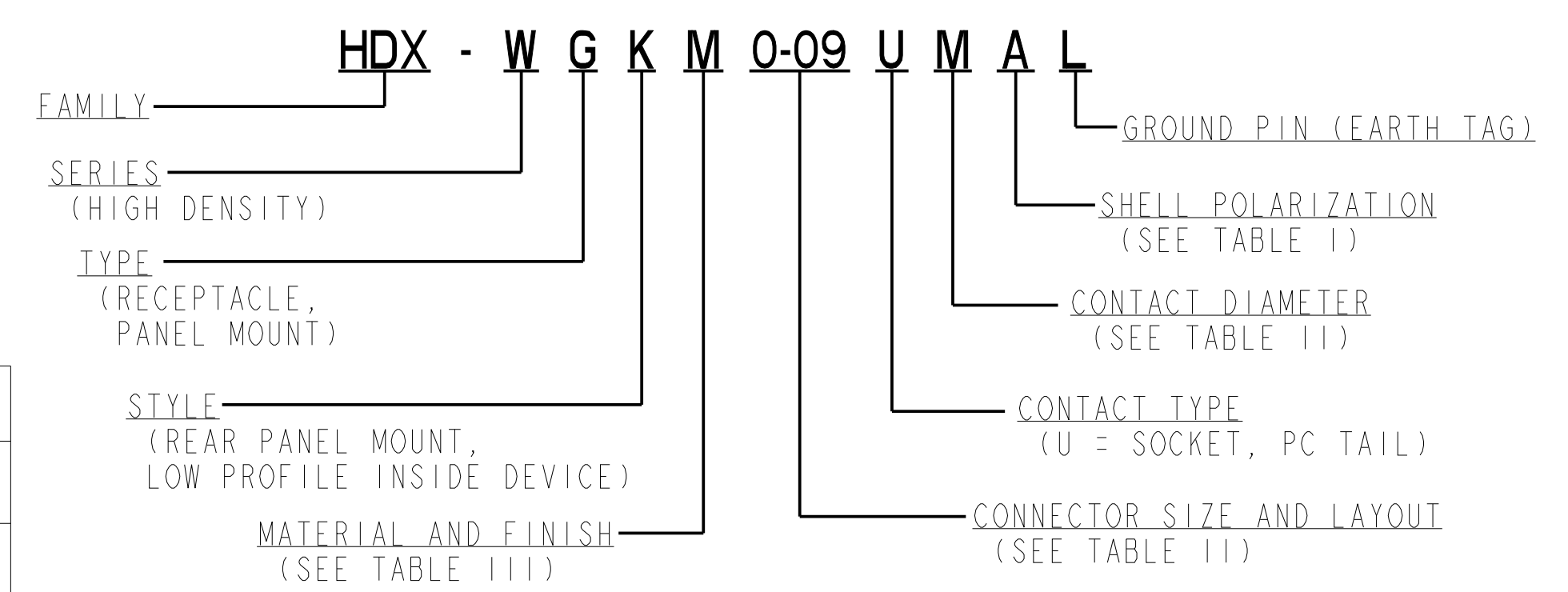


FRONT VIEW
ARR. 0-09 SHOWN FOR REFERENCE.

CLOCKING	COLOR BAND
A	BROWN
B	RED
C	BLUE
D	GREEN

SIZE - LAYOUT	CONTACT DIAMETER	ØA	ØB	C	D	E	THD
0-09	M - MULTI						
0-12	M - MULTI	13,2 [.52]	13 [.512]	9 [.354]	9,1 [.358]	10,1 [.398]	M10 X 0,5
0-16	B - 0,3mm						
1-20	M - MULTI	15,3 [.602]	15 [.591]	11,5 [.453]	11,6 [.457]	12,1 [.476]	M12 X 0,5
1-27	B - 0,3mm						

EXPLANATION OF PART NUMBER



ITEM NUMBER	COMPONENT	MATERIAL	PLATING
1	RECEPTACLE SHELL	M - BRASS/ RUTHENIUM OVER ELECTROLESS NICKEL (ROH)	
2	FLANGE O-RING	FLUOROSILICONE	N/A
3	INSULATOR	POLYETHERIMIDE, GF	N/A
4	INTERNAL SPRING	BE CU.	GOLD OVER NICKEL
5	PANEL NUT	ALUM. ALLOY	HARD BLACK ANODIZE
6	POWER CONTACTS	COPPER ALLOY	GOLD OVER NICKEL
7	SIGNAL CONTACTS	COPPER ALLOY	GOLD OVER NICKEL
8	GROUND PIN	COPPER ALLOY	GOLD OVER NICKEL
9 (NOT SHOWN)	POTTING MATER'L	THERMOSET EPOXY	NA

POWER CONTACTS, 0,7mm	AWG 22 CURRENT RATING 5A (SINGLE CONTACT)
SIGNAL CONTACTS, 0,3mm	AWG 28 CURRENT RATING 1A (SINGLE CONTACT)
INSULATION RESISTANCE	100 MΩ MINIMUM
DWV	NO BREAKDOWN AT OR BELOW 1000 VDC
RATED VOLTAGE	250V
OPERATING TEMPERATURE	-51°C TO +125°C
WATER TIGHTNESS	20m DEPTH FOR 120 MIN (IPX8) PER MIL-STD-810G METHOD 512.5, PROCEDURE I
VIBRATION	15g (SINE), 10-2,000HZ, NO DISCONTINUITY>1µs EIA-364-28F
SHOCK	50g AMPLITUDE, 1/2 SINE PULSE OF 6ms, NO DISCONTINUITY>1µs EIA-364-27C
MECHANICAL DURABILITY	5,000 MATING CYCLES

NOTES: UNLESS OTHERWISE SPECIFIED.
1. DIMENSION UNITS: MM [INCH]. INCHES ARE FOR REFERENCE ONLY.

NOTES CONT'D:
7. CONSULT FACTORY FOR TOOLS AND/OR TERMINATION PROCESS.

- 2. FOR ADDITIONAL CAVITY LAYOUT INFORMATION, REF CSA-HDX.
- 3. FOR PCB LAYOUT AND RECOMMENDATIONS, REF 028040Y0001.
- 4. 4mm MAX WHEN MATED TO HDX-BREAKAWAY SERIES PLUGS.
1,65mm MAX WHEN MATED TO HDX-LOCKING SERIES PLUGS.
- 5. RECOMMENDED PANEL NUT TORQUE IS 1Nm [8.8 in-lbs].
- 6. FOR SPANNER TOOLING SEE DRAWING 317-2187-050.

RoHS COMPLIANCE CODE

NTC - not RoHS compliant
 ROC - RoHS not hi-temp
 ROH - RoHS & hi-temp (260°C)
 NOTE - REFER TO TABLE/NOTES

NOTE

ITT Cannon LLC 56 Technology Drive, IRVINE, CA 92618	
UNLESS OTHERWISE SPECIFIED: METRIC	WEIGHT
DEFAULT ANGLE TOLERANCE IS ±1°	DENSITY
DEFAULT LENGTH TOLERANCE IS ±0.13 MM (.005) IN.	VOLUME
REMOVE ALL BURRS AND SHARP EDGES 0.13 (.005) MAX.	
SURFACE FINISH SHALL BE 1.6 µM (.63 µIN) RMS MAX.	
DRAWN C. HA	DATE 02/18/22
CHECKED A. ABLOTT	DATE 04/01/22
APPROVED S. VILLARRUEL	DATE 04/01/22
UNLESS OTHERWISE SPECIFIED: METRIC	SCALE
DIMENSIONS ARE IN MM'S AND INCHES!	8.000
DIMENSIONAL LIMITS APPLY BEFORE PLATING.	SCALE CODE
DIM'S AND TOL'S ARE PER ASME Y14.5M-1994.	71468
DO NOT SCALE DRAWING.	3RD ANGLE PROJECTION
	SIZE D
	USE C
	SHEET 1 / 1
	DESCRIPTION
	CONNECTOR, RECEPTACLE, ELECTRICAL HDX, JAM NUT, REAR PCB MOUNTED SKT CONTACT, MASTER ASSY DWG
	PART NO VARIOUS
	DATE
	028030Y0101
	REV -

X-ON Electronics

Largest Supplier of Electrical and Electronic Components

Click to view similar products for [Circular Push Pull Connectors](#) category:

Click to view products by [ITT](#) manufacturer:

Other Similar products are found below :

[6407-249V-11273P](#) [6408-201V-13273](#) [6408-202V-13343](#) [6408-202V-17343](#) [FAG.2B.319.CYC](#) [FGA.1B.307.CYCD72Z](#)
[FGC.0B.309.CLAD56](#) [FLS.01.250.DLAE24](#) [PFG.1B.308.CYZZ](#) [PKG.M0.6BL.LZ](#) [PLC.M1.0SL.LA](#) [GMA.2B.045.DJ](#) [GMA.3B.090.DA](#)
[PRG.M0.6GL.LC52GZ](#) [ABF.1S.250.NTA](#) [1332M107MS](#) [EAJ.1B.306.CWA](#) [1589430-2](#) [ELF.00.250.NTL](#) [ERA.01.250.DLL](#)
[BRD.0B.200.PCSG](#) [HVP.03.250.CLLPV](#) [CAH.M34.SLL.C72GZ](#) [CAJ.M34.SLL.C72GZ](#) [300500](#) [EXG.0B.309.HLN](#) [FFB.1S.250.CLAC27](#)
[FLC.00.250.CTAC31](#) [FPG.0B.305.CLAD52](#) [PCS.01.250.DLLE31](#) [PKC.M0.7GL.NG](#) [PKG.M0.4TL.LZ](#) [PXG.M0.8GG.NG](#)
[HEG.1B.307.CLNP](#) [BRR.3S.200.PZVG](#) [JDXEP2T19FSN](#) [400374](#) [DTA.99.700.5Z](#) [ECG.00.304.CLL](#) [ECP.0S.304.CLN](#) [EEG.1B.306.CYZ](#)
[MS3117-12BU](#) [EGA.00.303.CLL](#) [SAN.M13.GLA.6G](#) [6408-201V-11343](#) [6408-202V-25273](#) [PAC.M0.4NL.AC52J](#) [980-0009-471](#)
[NCG044SC2DC006](#) [13303PM20](#)