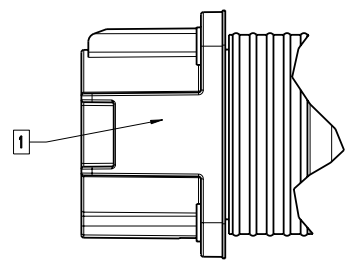
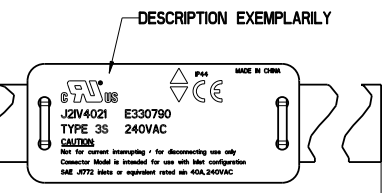
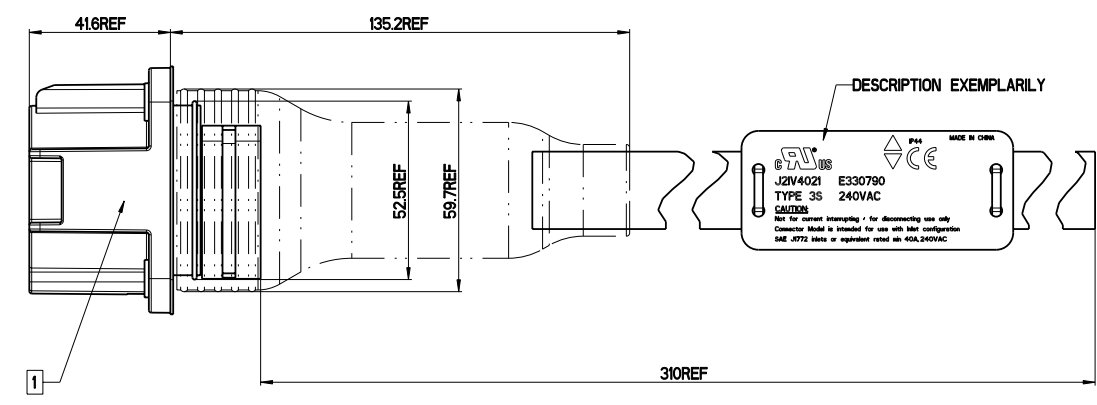
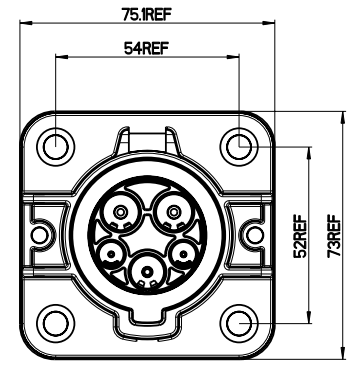
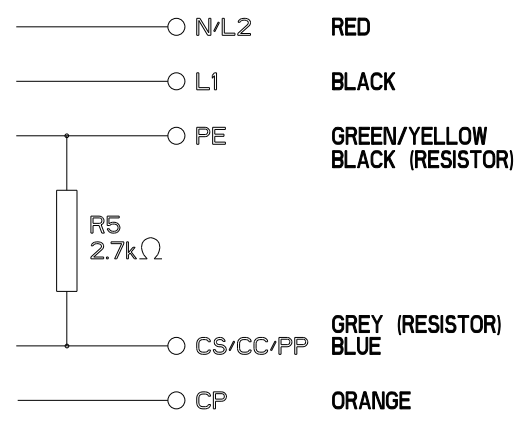


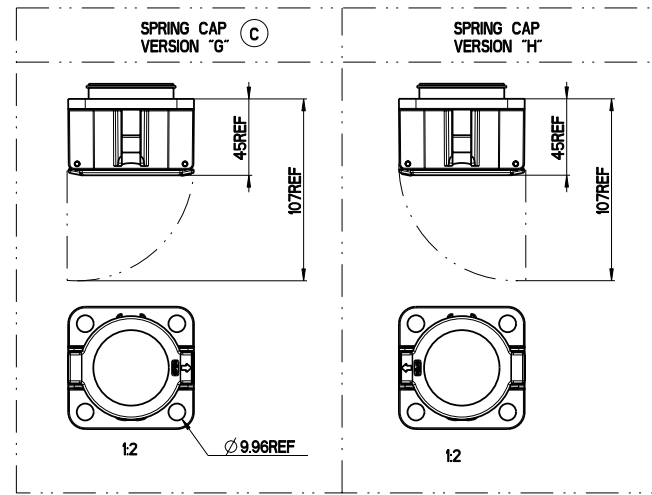
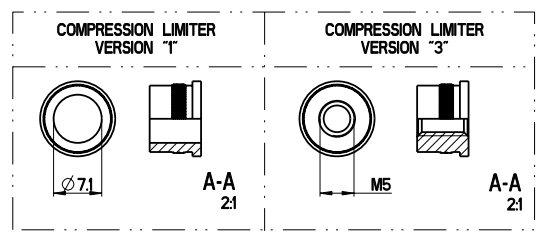
THIS DOCUMENT AND THE INFORMATION CONTAINED HEREIN IS THE SOLE PROPERTY OF ITT LLC AND IS NOT TO BE COPIED, REPRODUCED, DISCLOSED OR TRANSMITTED BY ELECTRONIC MEDIA WITHOUT THE EXPRESS PERMISSION OF ITT LLC. VIOLATIONS SUBJECT TO PENALTIES PROVIDED UNDER U.S. AND INTERNATIONAL LAW.

REV	DESCRIPTION	BY / DATE	APP'D
A	FIRST RELEASE DRWR-02822	ZA 08028	HAG
B	TABLE CABLE SPEC DRWR-02885	ZA 02027	HAG
C	SPRING CAP OPTIONS DRWR-03054	ZA 03027	HAG
D	REMOVE KIT VERSION, 0008753-CR	TH 092920	HAG

### WIRING PLAN



TYPE DESIGNATION / CONFIGURATOR		
J2IV 40 21-06 S1 A 0 A1 A1 (EXAMPLE ONLY)		
J2IV	SERIES	EVC SAE J1772 CONNECTOR VEHICLE INLET
40	CURRENT RATING (CABLE SIZE)	20 20A 40 40A (LEVEL 2 ONLY) 75 75A (LEVEL 2 ONLY) 80 80A (LEVEL 2 ONLY)
2	CABLE RATING	1 LEVEL 1 (300VAC) 2 LEVEL 2 (600VAC)
1	POWERING SYSTEM (CONNECTOR RATING)	1 LEVEL 1 120VAC LEVEL 2 240VAC
06	CABLE LENGTH [2]	XX LENGTH IN ft. (2 DIGITS) (E.G. 06 IS 6 ft. - 18m)
5	SEALING METHOD	5 SEALED
1	COMPRESSION LIMITER METAL INSERTS IN FLANGE HOLES	0 WITHOUT COMPRESSION LIMITER OR METAL INSERTS IN FLANGE 1 WITH COMPRESSION LIMITER (FRONT MOUNT) 3 WITH THREADED INSERTS M5 (FRONT MOUNT)
A	DUST CAP	A NO DUST CAP SUPPLIED C DUST CAP STAINLESS STEEL LANYARD (155mm) D DUST CAP STAINLESS STEEL LANYARD (125mm) E DUST CAP PA LANYARD (155mm) G WITH SPRING CAP (OPENING TO LEFT) H WITH SPRING CAP (OPENING TO RIGHT)
0	DRAIN SPOUT	0 WITHOUT DRAIN SPOUT
A	LOCKING DEVICE	A NO LOCKING DEVICE
1	RUBBER BOOT	0 NO RUBBER BOOT SUPPLIED 1 WITH RUBBER BOOT
A	MOUNTING HOLE PATTERN	A STANDARD PATTERN
1	FLANGE GASKET	0 NO FLANGE GASKET SUPPLIED 1 WITH FLANGE GASKET



CABLE SPECIFICATIONS				
CURRENT RATING	20A (LEVEL1)	20A (LEVEL2)	40A	75A/80A
WIRE SIZE POWER	12AWG	12AWG	8AWG	6AWG
WIRE SIZE PE	12AWG	12AWG	10AWG	8AWG
WIRE SIZE SIGNAL	16AWG			
CABLE OD	12.8 REF	16.8 REF	22.8 REF	25.6 REF
CABLE JACKET COLOR	BLACK			
CABLE CERTIFICATION	UL62			

**ITT CANNON**

### CUSTOMER DRAWING

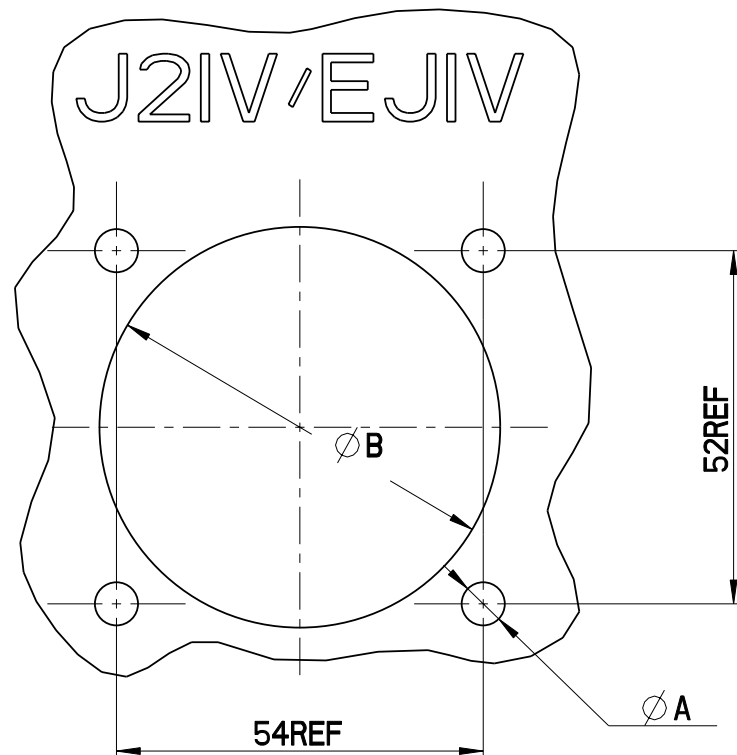
DRWN: ZA DATE: 08028 REF: [ ]  
 CHECKED: ZA DATE: 08028 REF: [ ]  
 APPROVED: HAG DATE: 08028 PART NO: SEE TALKING DOG  
 DIMENSIONS UNLESS OTHERWISE SPECIFIED: IN INCHES  
 DIMENSIONS ARE IN INCHES  
 EXPORT CLASSIFICATION CODE - C  
 THIS INFORMATION IS SUBJECT TO THE CONTROLS OF THE EXPORT ADMINISTRATION REGULATIONS EAR AND SHALL NOT BE TRANSMITTED BY ANY MEANS TO ANY PERSON OR LOCATION OUTSIDE OF THE U.S. WITHOUT THE WRITTEN PERMISSION FROM ITT AND APPROVAL FROM THE U.S. DEPARTMENT OF COMMERCE.

EVC CONNECTOR, VEHICLE INLET  
 EVC, J2IV4021-06S1A0A1A1

SCALE: 1:1  
 SHEET: 1 / 2  
 DESCRIPTION: CU32123Y

- NOTES: UNLESS OTHERWISE SPECIFIED**
- ALL DIMENSIONS ARE IN mm
  - SOME CONDUCTORS NOT SHOWN FOR CLARITY
  - CONNECTOR MEETS SAE J1772 PERFORMANCE SPECIFICATION FOR LEVEL 1 OR 2 CHARGING CONNECTORS
  - MATING DIMENSIONS ACC. TO SAE J1772 AND IEC 62196 TYPE 1
  - CONNECTOR IS CERTIFIED ACC. TO UL2251 AND SAE J1772
  - CONNECTOR IS INTENDED TO BE USED FOR CHARGING MODE 2 AND 3
- [1] CONNECTOR MARKING TO INCLUDE:  
 UL MARKS, CE MARKING  
 ORDERING CODE, E.G. J2IV4021-06S1A0A1A1  
 RATED CURRENT, RATED VOLTAGE, COMPANY MARKING, DATE CODE (YEAR AND WEEK OF MANUFACTURING)
- [2] CABLE LENGTH ACC. TO ORDERING CODE.  
 ADD NEEDED CABLE LENGTH FOR INTERNAL WIRING (SEE SOP FOR MORE INFORMATION)  
 STANDARD CABLE LENGTH TOLERANCE:  
 ± 50mm FOR <3m  
 ± 100mm FOR >3m TO <6m  
 ± 150mm FOR >6m
3. ACCESSORIES ARE INCLUDED INTO SCOPE OF DELIVERY ONLY IF REQUIRED BY ORDERING CODE

THIS DOCUMENT AND THE INFORMATION CONTAINED HEREIN IS THE SOLE PROPERTY OF ITT LLC AND IS NOT TO BE COPIED, REPRODUCED, DISCLOSED OR TRANSFERRED BY ELECTRONIC MEDIA WITHOUT THE EXPRESSED PERMISSION OF ITT LLC. VIOLATIONS SUBJECT TO PENALTIES PROVIDED UNDER U.S. AND INTERNATIONAL LAW.



RECOMMENDED PANEL CUT OUT			
COMPRESSION LIMITER OPTION	Ø A		RECOMMENDED SCREW SIZE
"0" (NO INSERT)	10.5H13	—	M10
	8.5H13	M8-g6	M8
	10H13	.375 UNF/UNC	.375 UNF/UNC
"1" (STRAIGHT HOLE)	6.3H13	M6-g6	M6
	7H13	.250 UNF/UNC	.250 UNF/UNC
"3" (THREADED INSERT M5)	5.3H13	—	M5
DIAMETER OF SCREW HEAD OR WASHER 18MAX			

RUBBER BOOT OPTION	Ø B
0	53±0.3
1	59±0.3

**EXPORT CLASSIFICATION CODE - C**  
 THIS INFORMATION IS SUBJECT TO THE CONTROLS OF THE EXPORT ADMINISTRATION REGULATIONS (EAR) AND SHALL NOT BE TRANSFERRED BY ANY MEANS TO ANY PERSON OR LOCATION OUTSIDE OF THE U.S. WITHOUT THE WRITTEN PERMISSION FROM ITT AND APPROVAL FROM THE U.S. DEPARTMENT OF COMMERCE.

		<b>CANNON</b> <small>CANNONSTR. 1 71284 WEINSTADT</small>	
<b>CUSTOMER DRAWING</b>			
<small>DIMENSION WITHOUT TOLERANCE FOR REFERENCE ONLY</small>	<small>SCALE</small> 1:1	<small>DESCRIPTION</small> EVC CONNECTOR, VEHICLE INLET EVC, J2IVXXX1-XXSXXXXXXX	
<small>DIMENSIONS ARE IN mm (INCHES)</small>	<small>SIZE</small> B	<small>USE</small> DS	<small>SHEET</small> 2 / 2
			<small>REV</small> D
			<b>CU32123Y</b>

DWG FILE NAME: CU32123Y

## X-ON Electronics

Largest Supplier of Electrical and Electronic Components

*Click to view similar products for [Specialised Cables category](#):*

*Click to view products by [ITT manufacturer](#):*

Other Similar products are found below :

[604SS6](#) [910640](#) [96CB-L2020PIB2](#) [1200740077](#) [1200740114](#) [AC172](#) [ACL-SSI-4](#) [R88ACAKA0015SRE](#) [R88ACAWL005SDE](#) [1300150047](#)  
[1300660036](#) [1302262116](#) [1300150079](#) [1300220020](#) [1300220119](#) [1301240492](#) [1301810221](#) [1365323-1](#) [1589946-2](#) [176P12](#) [1971465-2](#)  
[20240400003](#) [20886510030](#) [2-22733-8](#) [22733-8](#) [CB-BATACC-RS](#) [CB-JST3PSW-RS](#) [25AU25](#) [3011-03](#) [SSL009PC2DC012N](#)  
[SSM005PC0DY012Q](#) [CCS-FCB-5](#) [CCSF2CBF2](#) [416216000-3](#) [426122200-3](#) [AXXCBL650HDHD](#) [5057-1AC](#) [VMMP6R](#) [426055800-3](#)  
[426101100-3](#) [05AD05X](#) [10075358-F0200YYLF](#) [1052015-1-10](#) [540012](#) [RTPADPTR02](#) [603PT2](#) [603ST2](#) [603ST6](#) [604PS2](#) [604PS5](#)