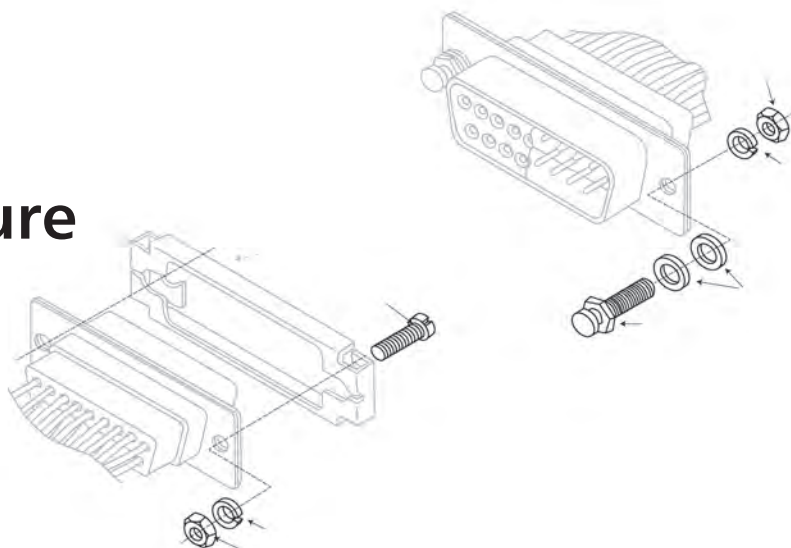




**ITT**

Interconnect Solutions

# Cannon D-Subminiature Accessories



*Engineered for life*

# Cannon D-Subminiature Accessories

## Selection Guide



### Locking Hardware

Backshell	Style	Female Screw Lock see page 12	Male Screw Lock see page 11	Sliding Lock Retainer see page 13	Slide Lock Post see page 13	Spring Latch Plate see page 14	Spring Latch see page 14
EMI Shielded	Snap-Together Metalized Plastic Straight Exit see page 4	—	—	—	—	—	—
EMI Shielded	Snap-Together Metalized Plastic 50° Exit see page 4	—	—	—	—	—	—
EMI Shielded	Die Cast Zinc Metal see page 6	—	▲	—	—	—	—
Metal	Deep Straight Clamp see page 7	•	•	•	•	•	•
Metal	Round Cable Clamp see page 7	•	•	•	•	•	•
Metal	Short Straight Clamp see page 8	•	•	•	•	•	•
Metal	90° Entry see page 8	•	•	•	•	•	•
Plastic	Snap-Together Universal see page 9	•	•	—	—	—	—
Plastic	One-Piece Snap-Together see page 9	—	▲	—	—	—	—
Plastic	One-Piece Plastic Straight Exit see page 10	—	—	•	•	•	•
Plastic	One-Piece Plastic 90° Exit see page 10	—	—	•	•	•	•

- ▲ Supplied with backshell
- Optional compatible locking hardware
- Not compatible



Dimensions shown in mm (inch)  
Specifications and dimensions subject to change

www.ittcannon.com

# Cannon D-Subminiature Accessories

## Selection Guide



### Locking Hardware

Jackscrew Assembly see page 15	Jackpost Assembly see page 15	Recessed Jackscrew see page 5	Extended Jackscrew see page 5	Thumbscrew see page 5	Jackpost for In-Line Connections see page 5
—	—	•	•	•	•
—	—	•	•	•	•
—	—	—	—	—	—
—	•	—	—	—	—
—	•	—	—	—	—
—	•	—	—	—	—
—	—	—	—	—	—
—	—	—	—	—	—
—	—	—	—	—	—
—	—	—	—	—	—
—	—	—	—	—	—

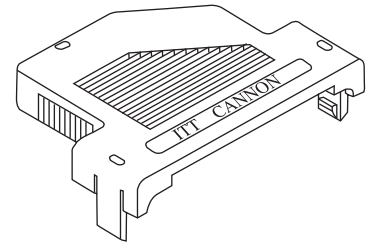
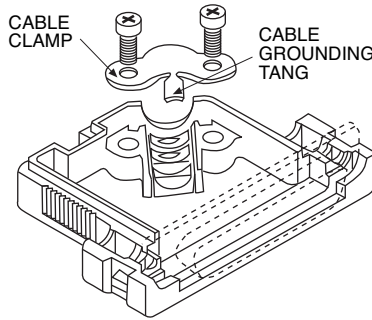
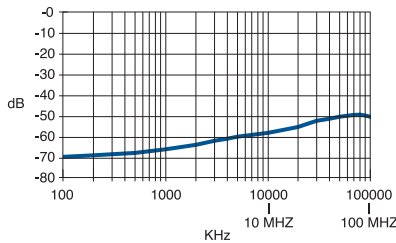
## Snap-Together Metalized Plastic

Metalized plastic backshells reduce EMI/RFI emissions. Metalized plastic provides a light weight solution. Design includes integral strain relieving cable

### Product Features

- Improves conformance to FCC DOC #20780 shielding requirements
- No crimp ferrule tooling needed
- Quick and simple assembly using snap-

### Attenuation



Note: Cable grounding tang not available on DE size back-

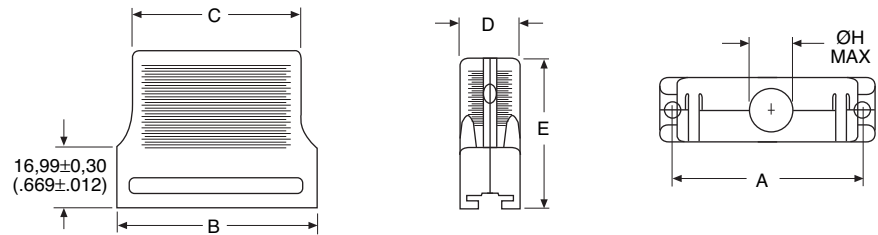
### Specifications

Attenuation:	-49 dB @ 100MHz
Temperature Range:	-20° C to 80° C

### Materials and Finishes

Material:	Thermoplastic, UL 94V-0 rated
Finish:	Nickel over Copper

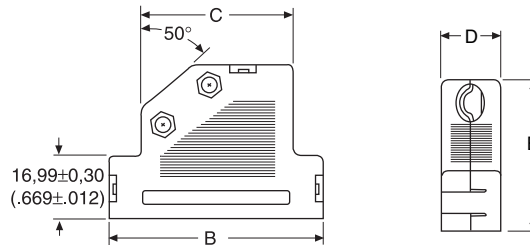
## Straight Exit



Shell Size	Layout	Shielded Part #	Non-Shielded Part # Gray *	A ±0,15 (.006)	B ±0,30 (.012)	C ±0,30 (.012)	D ±0,30 (.120)	E ±0,20 (.008)	ØH Max.
DE	9	DE121073-154	DE121073-159	24,95 (.982)	30,81 (1.213)	23,70 (.933)	16,00 (.630)	35,99 (1.417)	7,32 (.288)
DA	15	DA121073-150	DA121073-155	33,30 (1.311)	39,09 (1.539)	31,80 (1.252)	16,00 (.630)	42,00 (1.654)	8,31 (.327)
DB	25	DB121073-151	DB121073-156	47,00 (1.850)	53,01 (2.087)	45,01 (1.772)	16,00 (.630)	42,00 (1.654)	10,52 (.414)
DC	37	DC121073-152	DC121073-157	63,45 (2.498)	69,29 (2.728)	60,30 (2.374)	16,00 (.630)	42,00 (1.654)	12,32 (.485)
DD	50	DD121073-153	DD121073-158	61,10 (2.410)	66,90 (2.634)	58,30 (2.295)	19,00 (.748)	42,00 (1.654)	13,00 (.512)

\* Color Black available by request, please contact Customer Service.

## 50° Exit



Shell Size	Layout	Shielded Part #	Non-Shielded Part # Gray *	B ±0,30 (.012)	C ±0,30 (.012)	D ±0,30 (.012)	E ±0,20 (.008)	Cable Diameter	
								Min.	Max.
DE	9	DE121073-54	DE121073-59	35,99 (1.417)	22,00 (8.66)	16,00 (.630)	35,99 (1.417)	3,51 (.138)	7,49 (.295)
DA	15	DA121073-50	DA121073-55	44,29 (1.744)	27,31 (1.075)	16,00 (.630)	42,01 (1.654)	6,50 (.256)	8,99 (.354)
DB	25	DB121073-51	DB121073-56	57,99 (2.283)	41,00 (1.614)	16,00 (.630)	42,01 (1.654)	6,50 (.256)	11,00 (.433)
DC	37	DC121073-52	DC121073-57	74,50 (2.933)	57,51 (2.264)	16,00 (.630)	42,01 (1.654)	6,50 (.256)	11,00 (.433)
DD	50	DD121073-53	DD121073-58	72,97 (2.873)	54,99 (2.165)	19,00 (.748)	42,01 (1.654)	8,99 (.354)	13,00 (.512)

\* Color Black available by request, please contact Customer Service.

- Kit consists of 1 front shell, 1 rear shell, 1 cable clamp, 2 screws
- Optional locking hardware sold separately, see page 5

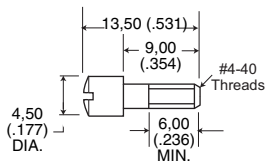
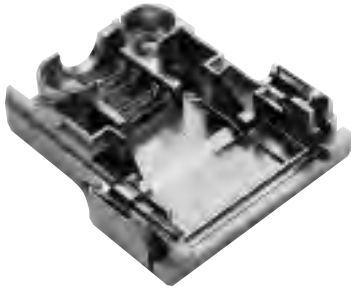


Dimensions shown in mm (inch)  
Specifications and dimensions subject to change

www.ittcannon.com

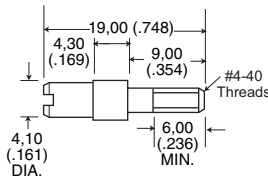
## Locking Hardware for Snap -Together EMI Shielded Backshell

Recessed Jackscrew



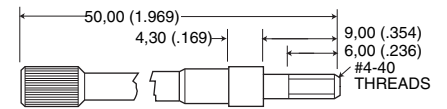
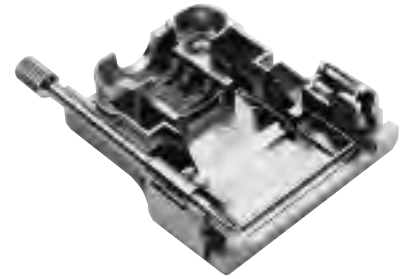
Part Number:	250-8501-004
Material:	Brass
Finish:	Nickel
Quantity required per connector:	2

Extended Jackscrew



Part Number:	250-8501-009 (M3)
	250-8501-010 (#4-40)
Material:	Brass
Finish:	Nickel
Quantity required per connector:	2

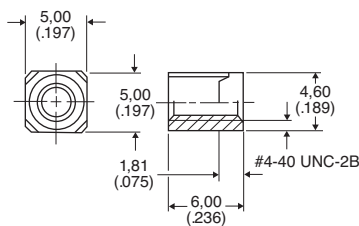
Thumbscrew



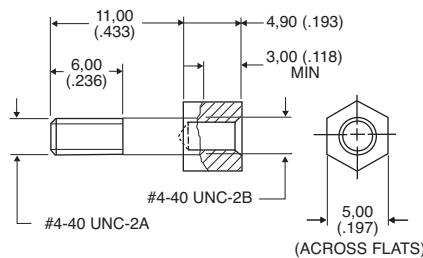
Part Number:	250-8501-013
Material:	Brass
Finish:	Nickel
Quantity required per connector:	2

## Jackpost for In-Line Connections

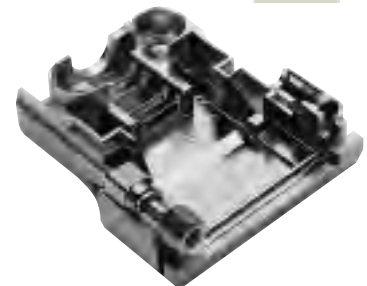
Rectangular Nut



Jackpost



Jackpost Assembly

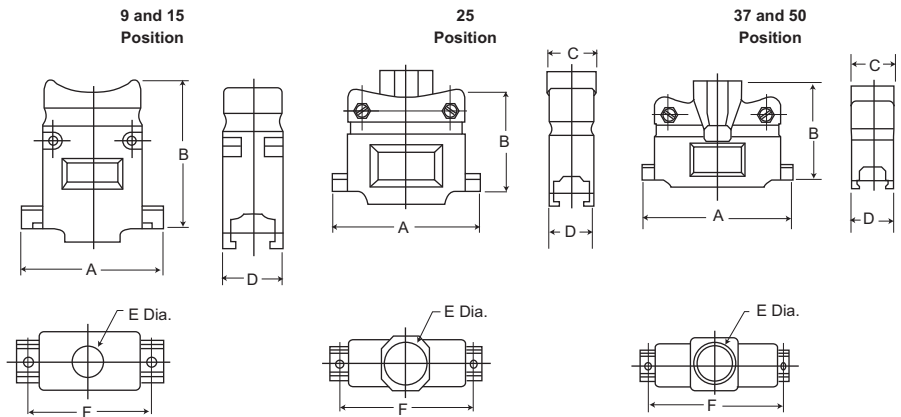


Assembly consists of 1 rectangular nut, 1 jackpost, 1 # 4-40 lock washer.

Part Number:	D121073-19
Material:	Brass
Finish:	Nickel
Quantity required per connector:	2

## Die Cast Zinc Metal Backshell

Straight Exit



Die cast metal backshells reduce EMI/RFI emissions.

Die cast metal backshells offer improved shielding

### Product Features

- Improves conformance to FCC DOC #20780 shielding requirements
- No crimp ferrule tooling needed
- Kit consists of 1 front shell, 1 rear shell, 2 screws, 2 hex nuts, 2 mounting screws, 2 end brackets, 1 set of compression inserts

Shell Size Layout	Part Number	A	B	C	D	øE	F
DE 9	980-2000-345	31,12 (1.225)	37,21 (1.465)	15,75 (.620)	15,75 (.620)	10,16 (.400)	24,99 (.984)
DA 15	980-2000-346	39,12 (1.540)	40,64 (1.600)	15,75 (.620)	15,75 (.620)	10,16 (.400)	33,32 (1.312)
DB 25	980-2000-347	53,09 (2.090)	39,37 (1.550)	17,53 (.690)	15,75 (.620)	13,34 (.525)	47,17 (1.857)
DC 37	980-2000-348	69,34 (2.730)	45,72 (1.800)	21,95 (.864)	15,75 (.620)	18,44 (.726)	63,50 (2.500)
DD 50	980-2000-349	66,70 (2.626)	45,72 (1.800)	21,95 (.864)	18,54 (.730)	18,44 (.726)	61,11 (2.406)

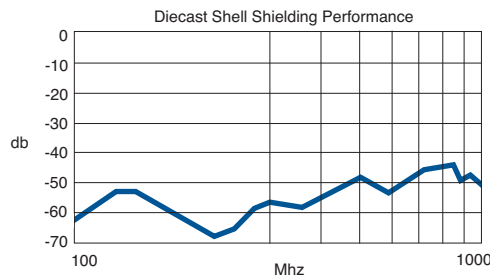
### Specifications

Attenuation:	-50 dB @ 1000MHz
Temperature Range:	-20° C to 80° C

### Materials and Finishes

Backshell Material:	Zinc
Backshell Finish:	Clear Zinc
Compression Inserts:	PVC
Hardware Material:	Steel
Hardware Finish:	Clear Zinc

### Attenuation

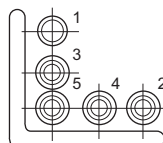


Compression inserts (included with die cast zinc metal backshell)

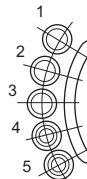
Compression inserts accommodate a wide variety of cable sizes.

Position	Cable Diameter
9,15	4,83/8,89 (.190/.350)
25	4,83/11,68 (.190/.460)
37,50	7,62/17,27 (.300/.680)

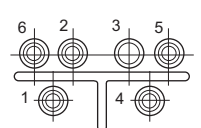
9 and 15 Position\*



25 Position\*



37 and 50 Position\*



\* Inserts may be supplied mirror image.

Position	O.D. #1	I.D. #1	O.D. #2	I.D. #2	O.D. #3	I.D. #3	O.D. #4	I.D. #4	O.D. #5	I.D. #5	O.D. #6	I.D. #6
9,15	12,07 (.475)	8,13 (.320)	9,14 (.360)	8,00 (.315)	9,14 (.360)	6,48 (.255)	9,14 (.360)	7,24 (.285)	9,14 (.360)	5,33 (.210)	—	—
25	15,24 (.600)	11,43 (.450)	11,43 (.450)	10,41 (.410)	11,43 (.450)	9,40 (.370)	11,43 (.450)	7,62 (.300)	11,43 (.450)	5,84 (.230)	—	—
37,50	16,64 (.655)	14,48 (.570)	17,78 (.700)	15,75 (.620)	20,57 (.810)	16,51 (.650)	16,64 (.655)	12,70 (.500)	16,64 (.655)	10,80 (.425)	16,64 (.655)	8,89 (.350)



Dimensions shown in mm (inch)  
Specifications and dimensions subject to change

www.ittcannon.com

## Metal Backshell

Metal Backshells provide strain relief. Various profiles available for different cable routing requirements.

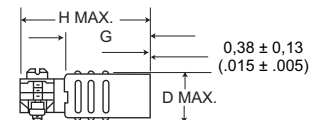
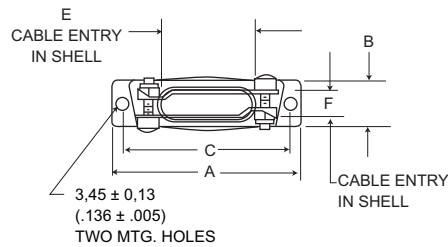
### Product Features

Qualified to MIL-Spec M85049

### Materials and Finishes

Backshell Material:	Low Carbon Steel
Backshell Finish:	Chromate over Cadmium (Mil Spec) or Zinc (RoHS)
Hardware Material:	Steel

### Deep Straight Clamp



### RoHS Compliant Part Number

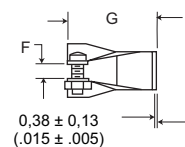
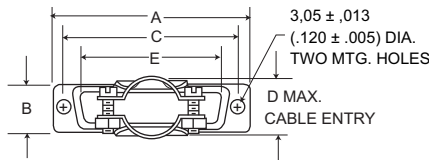
DE	DE24657-29
DA	DA24658-28
DB	DB24659-27
DC	DC24660-27
DD	DD24661-27

- Kit consists of 1 shell, 2 cable clamps, 2 screws, 2 hex nuts.

Shell Size	Layout	Part Number	Mil Spec Part Number*	A ±0,38 (.015)	B ±0,572 (.0225)	C ±0,38 (.015)	D max.	E ±0,38 (.015)	F ±0,38 (.015)	G ±0,38 (.015)	H max.
DE	9	DE24657	M85049/48-1-1F	30,56 (1.203)	12,484 (.4915)	24,99 (.984)	14,68 (.578)	9,53 (.375)	9,53 (.375)	19,05 (.750)	31,75 (1.250)
DA	15	DA24658	M85049/48-1-2F	38,89 (1.531)	12,484 (.4915)	33,32 (1.312)	14,68 (.578)	18,11 (.713)	7,93 (.312)	19,05 (.750)	31,75 (1.250)
DB	25	DB24659	M85049/48-1-3F	52,78 (2.078)	12,484 (.4915)	47,04 (1.852)	14,68 (.578)	25,40 (1.000)	7,93 (.312)	25,40 (1.000)	39,70 (1.563)
DC	37	DC24660	M85049/48-1-4F	69,04 (2.718)	12,484 (.4915)	63,50 (2.500)	14,68 (.578)	34,93 (1.375)	7,93 (.312)	25,40 (1.000)	39,70 (1.563)
DD	50	DD24661	M85049/48-1-5F	66,68 (2.625)	15,253 (.6005)	61,11 (2.406)	17,45 (.578)	35,71 (1.406)	10,31 (.406)	28,57 (1.125)	42,88 (1.688)

\* Parts may be ordered with "F" suffix. Part markings reflect base part number without "F" suffix.

### Round Cable Clamp



### RoHS Compliant Part Number

DE	DE44994-14
DA	DA20961-26
DB	DB20962-30
DC	DC20963-27
DD	DD20964-32

- Kit consists of 1 shell, 2 cable clamps, 2 screws, 2 hex nuts.

Shell Size	Layout	Part Number	Mil Spec Part Number*	A ±0,38 (.015)	B ±0,572 (.0225)	C ±0,38 (.015)	D max.	E ±0,38 (.015)	F ±0,38 (.015)	G ±0,76 (.030)
DE	9	DE44994	M85049/48-2-1F	30,68 (1.208)	12,70 (.500)	24,99 (.984)	10,31 (.406)	16,79 (.661)	3,18 (.125)	26,18 (1.031)
DA	15	DA20961	M85049/48-2-2F	38,89 (1.531)	12,70 (.500)	33,33 (1.312)	10,31 (.406)	24,99 (.984)	3,18 (.125)	26,18 (1.031)
DB	25	DB20962	M85049/48-2-3F	52,78 (2.078)	12,70 (.500)	47,04 (1.852)	15,06 (.593)	38,48 (1.515)	4,75 (.187)	26,98 (1.062)
DC	37	DC20963	M85049/48-2-4F	69,04 (2.718)	12,70 (.500)	63,50 (2.500)	18,23 (.718)	55,14 (2.171)	6,35 (.250)	26,98 (1.062)
DD	50	DD20964	M85049/48-2-5F	66,68 (2.625)	15,47 (.609)	61,11 (2.406)	20,62 (.812)	53,16 (2.093)	7,92 (.312)	26,98 (1.062)

\* Parts may be ordered with "F" suffix. Part markings reflect base part number without "F" suffix.

Dimensions shown in mm (inch)

Specifications and dimensions subject to change

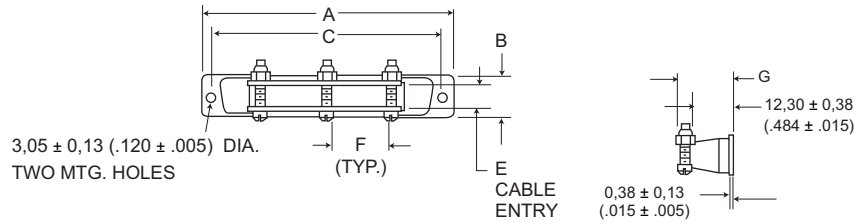
www.ittcannon.com



## Short Straight Clamp



- Kit consists of 1 shell, 2 or 3 screws, 2 or 3 hex nuts



RoHS Compliant Part Number	
DA	DA19678-212
DB	DB19678-213
DC	DC19678-214
DD	DD19678-215

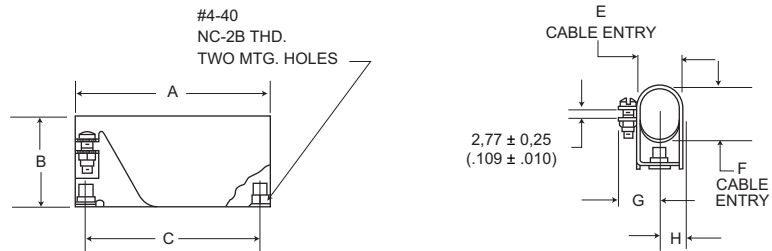
Shell Size	Layout	Part Number	Mil Spec Part Number*	No. of Cable Locking Screws Included	A	B	C	E	F	G
					±0,38 (.015)	±0,38 (.015)	±0,13 (.005)	±0,38 (.015)	±0,38 (.015)	±0,98 (.035)
DA	15	DA19678-1	M85049/48-3-2F	2	38,88 (1.531)	12,70 (.500)	33,33 (1.312)	7,51 (.296)	7,93 (.312)	16,36 (.644)
DB	25	DB19678-2	M85049/48-3-3F	2	52,78 (2.078)	12,70 (.500)	47,04 (1.852)	7,51 (.296)	20,22 (.796)	16,36 (.644)
DC	37	DC19678-3	M85049/48-3-4F	3	69,04 (2.718)	12,70 (.500)	63,50 (2.500)	7,51 (.296)	17,45 (.687)	16,36 (.644)
DD	50	DD19678-4	M85049/48-3-5F	3	66,68 (2.625)	15,47 (.690)	61,11 (2.406)	9,91 (.390)	17,45 (.687)	17,63 (.694)

\* Parts may be ordered with "F" suffix. Part markings reflect base part number without "F" suffix.

## 90° Entry



- Kit consists of 1 shell, 1 cable clamp, 1 screw, 1 nut, 2 rivnuts (assembled)



RoHS Compliant Part Number	
DE	DE19977-72
DA	DA19977-68
DB	DB19977-69
DC	DC19977-70
DD	DD19977-71

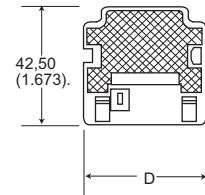
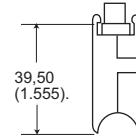
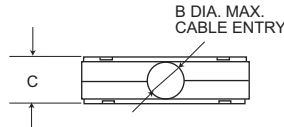
Shell Size	Layout	Part Number	Mil Spec Part Number*	No. of Cable Locking Screws Included	A	B	C	E	F	G	H
					±0,38 (.015)	±0,38 (.015)	±0,13 (.005)	±0,38 (.015)	±0,38 (.015)	±0,98 (.035)	
DE	9	DE19977-5	M85049/50-1F	1	30,56 (1.203)	18,24 (.718)	24,99 (.984)	11,10 (.437)	11,10 (.437)	11,89 (.468)	7,14 (.281)
DA	15	DA19977-1	M85049/48-2F	2	38,89 (1.531)	12,70 (.500)	33,33 (1.312)	11,10 (.437)	11,10 (.437)	11,89 (.468)	7,14 (.281)
DB	25	DB19977-2	M85049/48-3F	2	52,78 (2.078)	12,70 (.500)	47,04 (1.852)	11,10 (.437)	15,88 (.625)	11,89 (.468)	7,14 (.281)
DC	37	DC19977-3	M85049/48-4F	3	69,04 (2.718)	12,70 (.500)	63,50 (2.500)	11,10 (.437)	20,63 (.812)	11,89 (.468)	7,14 (.281)
DD	50	DD19977-4	M85049/48-5F	3	66,68 (2.625)	15,47 (.690)	61,11 (2.406)	14,28 (.562)	23,01 (.906)	13,47 (.531)	8,71 (.343)

\* Parts may be ordered with "F" suffix. Part markings reflect base part number without "F" suffix.



## Plastic Backshell

Snap-Together Universal



- 2-piece snap-together design for quick assembly.
- Customer furnishes tie-wrap.

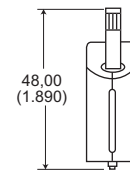
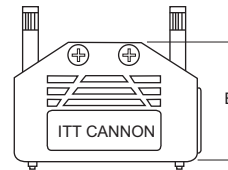
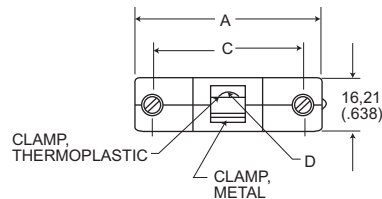
Shell Size	Layout	Part Number	øB max.	C ±0,20 (.008)	D ±0,20 (.008)
DE	9	DE115339-20	7,01 (.276)	17,00 (.669)	19,51 (.768)
DA	15	DA115339-21	9,60 (.378)	17,00 (.669)	27,79 (1.094)
DB	25	DB115339-22	11,61 (.457)	17,00 (.669)	41,61 (1.638)
DC	37	DC115339-23	13,00 (.512)	17,00 (.669)	59,99 (2.283)
DD	50	DD115339-24	16,00 (.630)	19,81 (.780)	52,32 (2.060)

Note: Part Numbers above replace the following part number series: DE110963-1 to DD110963-5

### Materials and Finishes

Material: Black Thermoplastic,  
UL 94V-0 rated

One-Piece Snap-Together



- Low cost
- Easy to assemble
- Mounting hardware included
- 2 thumbscrews, 2 cable clamps

Shell Size	Layout	Part Number	A	C	ø D max.	E
DE	9	DEBS-9	35,20 (1.386)	24,99 (.984)	5,69 (.224)	27,51 (1.083)
DA	15	DABS-15	43,31 (1.705)	33,33 (1.312)	5,69 (.224)	31,19 (1.228)
DB	25	DBBS-25	57,20 (2.252)	47,04 (1.852)	6,50 (.256)	38,30 (1.508)
DC	37	DCBS-37	72,00 (2.83)	62,00 (2.44)	7,80 (.307)	43,08 (1.69)
DD	50	DDBS-50	73,70 (2.90)	63,70 (2.50)	8,20 (.322)	48,04 (1.89)

### Materials and Finishes

Backshell Material: Polypropylene  
Hardware Material: Steel  
Hardware Finish: Black Nickel

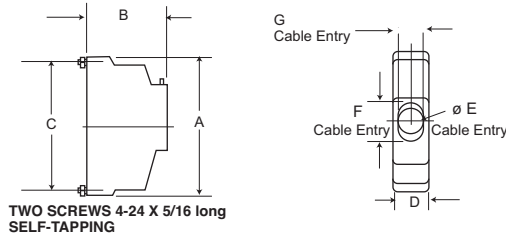
Dimensions shown in mm (inch)  
Specifications and dimensions subject to change

www.ittcannon.com



## One-Piece Plastic

### Straight Exit



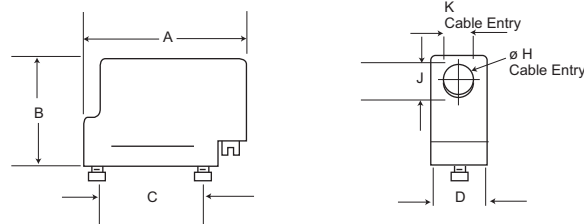
- Kit consists of 1 shell, 1 cable clamp, 1 set screw
- Mounting hardware included
- 2 screws #4-24 x 5/16 long self tapping
- Accommodates spring latches

#### Materials and Finishes

Material:	Black Thermoplastic, UL 94V-0 rated
Hardware Material:	Steel
Hardware Finish:	Chromate over Zinc

Shell Size	Layout	Part Number	A	B	C	D	øE	F	G
DE	9	DE51218	30,94 (1.218)	25,40 (1.000)	24,99 (.984)	12,70 (.500)	7,14 (.281)	—	—
DA	15	DA51210	39,27 (1.546)	25,40 (1.000)	33,33 (1.312)	12,70 (.500)	9,14 (.360)	—	—
DB	25	DB51212	53,16 (2.093)	31,75 (1.250)	47,04 (1.852)	12,70 (.500)	—	12,52 (.493)	9,15 (.360)
DC	37	DC51214	69,44 (2.734)	38,10 (1.500)	63,50 (2.500)	12,70 (.500)	—	17,63 (.694)	9,15 (.360)
DD	50	DD51216	67,06 (2.640)	38,10 (1.500)	61,11 (2.406)	15,47 (.690)	—	18,64 (.734)	11,89 (.468)

### 90° Exit



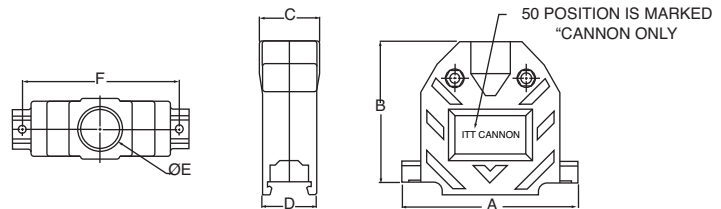
- Kit consists of 1 shell, 1 cable clamp, 1 set screw
- Mounting hardware included
- 2 screws #4-24 x 5/16 long self tapping

#### Materials and Finishes

Material:	Black Thermoplastic, UL 94V-0 rated
Hardware Material:	Steel
Hardware Finish:	Chromate over Zinc

Shell Size	Layout	Part Number	A	B	C	D	øH	J	K
DE	9	DE51219	37,95 (1.494)	25,40 (1.000)	24,99 (.984)	12,70 (.500)	7,14 (.281)	—	—
DA	15	DA51211	46,28 (1.822)	25,40 (1.000)	33,33 (1.312)	12,70 (.500)	9,14 (.360)	—	—
DB	25	DB51213	60,15 (2.368)	31,75 (1.250)	47,04 (1.852)	12,70 (.500)	—	12,52 (.493)	9,15 (.360)
DC	37	DC51215	76,43 (3.009)	38,10 (1.500)	63,50 (2.500)	12,70 (.500)	—	17,63 (.694)	9,15 (.360)
DD	50	DD51217	74,04 (2.915)	38,10 (1.500)	61,11 (2.406)	15,47 (.690)	—	18,64 (.734)	11,89 (.468)

### Straight Exit - Metalized Plastic Low Cost



- Kit consists of 1 front shell, 1 rear shell, 1 cable clamp, 2 screws

Shell Size	Layout	Part Number	A	B	C	D	øE	F
DE	9	980-2000-350	30,91 (1.217)	39,29 (1.547)	16,26 (.640)	16,26 (.640)	10,16 (.400)	24,99 (.984)
DA	15	980-2000-351	39,24 (1.545)	38,23 (1.505)	16,26 (.640)	16,26 (.640)	10,16 (.400)	33,32 (1.312)
DB	25	980-2000-352	53,09 (2.090)	42,04 (1.655)	18,03 (.710)	16,26 (.640)	13,26 (.522)	47,17 (1.857)
DC	37	980-2000-353	69,44 (2.734)	46,48 (1.830)	23,01 (.906)	16,26 (.640)	18,44 (.726)	63,50 (2.500)
DD	50	980-2000-354	67,18 (2.645)	47,12 (1.855)	23,88 (.940)	19,56 (.770)	18,44 (.726)	61,11 (2.406)

#### Materials and Finishes

Material:	Thermoplastic, UL 94V-0 rated
-----------	-------------------------------



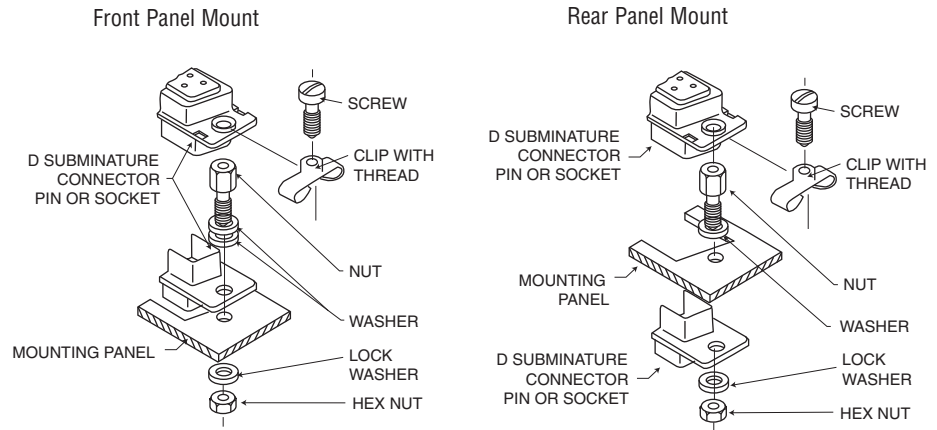
Dimensions shown in mm (inch)  
Specifications and dimensions subject to change

## Screw Lock Assemblies

ITT offers the largest variety of locking and latching hardware. Refer to the accessories selection guide on pages 2-3 for use with Cannon backshells.

### Product Features

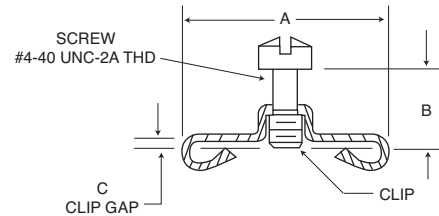
- Ensures positive mating
- Provides locking and latching for high vibration applications



### Male Screw Lock



- Kit consists of 1 screw and 1 clip
- Order 2 per connector



### Materials and Finishes

Material:	Steel
Finish:	Zinc Chromate

Shell Size	each P/N	2 each P/N	A ±0,38(1.5)	B ±0,2 (.010)	C ±0,13 (.005)	RoHS Compliant P/N each	RoHS Compliant P/N 2 each
DE, DA, DB, DC	D20419	D20419-119	14,10 (.555)	6,35 (.250)	1,22 (.048)	D20419-211	D20419-218
DE, DA, DB, DC	D20419-18	D20419-121	14,10 (.555)	7,14 (.281)	1,70 (.067)	D20419-212	D20419-219
DE, DA, DB, DC	D20419-21	D20419-122	14,10 (.555)	7,14 (.281)	2,34 (.092)	D20419-213	D20419-220
DE, DA, DB, DC	D20419-104	D20419-216	14,10 (.555)	7,92 (.312)	2,34 (.092)	D20419-214	D20419-221
DD	D20420	D20420-097	16,66 (.656)	6,35 (.250)	1,22 (.048)	D20420-157	D20420-163
DD	D20420-13	D20420-099	16,66 (.656)	7,14 (.281)	1,70 (.067)	D20420-158	D20420-164
DD	D20420-15	D20420-100	16,66 (.656)	7,14 (.281)	2,34 (.092)	D20420-159	D20420-165
DD	D20420-86	D20420-162	16,66 (.656)	7,92 (.312)	2,34 (.092)	D20420-160	D20420-166

Dimensions shown in mm (inch)  
Specifications and dimensions subject to change

www.ittcannon.com



## Female Screw Lock

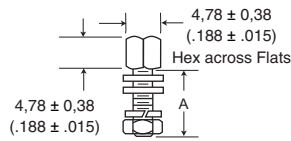


- Kit consists of 1 nut, 3 washer, 1 lock washer, 1 hex nut.
- Order 2 per connector.

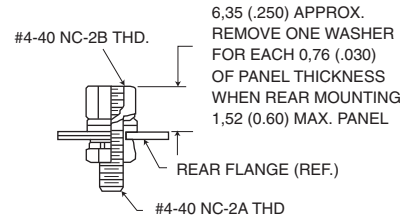
Material: Steel  
 Finish: Chromate over Cadmium (Mil or Zinc (RoHS))

Yellow Chromate each	Over Cadmium Kit of 2 each	Chromate Over Zinc Kit of 2 each	RoHS Compliant Part Number	A ± 0,38 (.015)
D20418-2	D20418-82	D20418-138	D20418-134	7,92 (.312)
D20418-50	D20418-131	D20418-139	D20418-135	12,70 (.500)
D20418-39	D20418-83	D20418-140	D20418-136	15,88 (.625)
D20418-74	D20418-132	D20418-141	D20418-137	19,05 (.750)

## Front Panel Mount

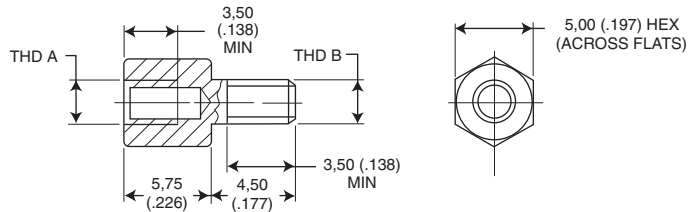
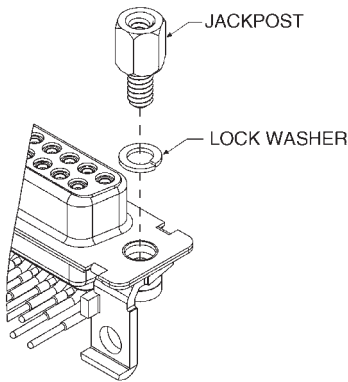


## Rear Panel Mount



NOTE: (1) A 6 inch/pound (female) and 4 inch/pound (male) maximum torque during assembly is recommended on steel screw lock assemblies. (2) A third flat washer is supplied for front panel mounting of tab shell connectors.

## Screw Locks for Connectors with Integral Threaded Inserts



Part Number	Thread Code	
	THD A	THD B
D121073-39	# 4-40 UNC-2B	# 4-40 UNC-2A
D112041 *	# 4-40 UNC-2B	# 4-40 UNC-2A
D121073-42	M3	M3

\* without lock washer

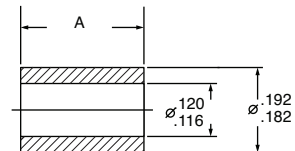
- Kit consists of 1 jackpost, 1 lock washer.
- Order 2 per connector.

## Spacer

Part Number: 253-0343-000 (D\*M Style)      Dim A: 5.84 ± .08 (.230 ± .003)

Part Number: 253-0343-011 (D\*MA Style)      Dim A: 9.40 ± .13 (.370 ± .005)

Material: Aluminum  
 Finish: Chromate over Cadmium



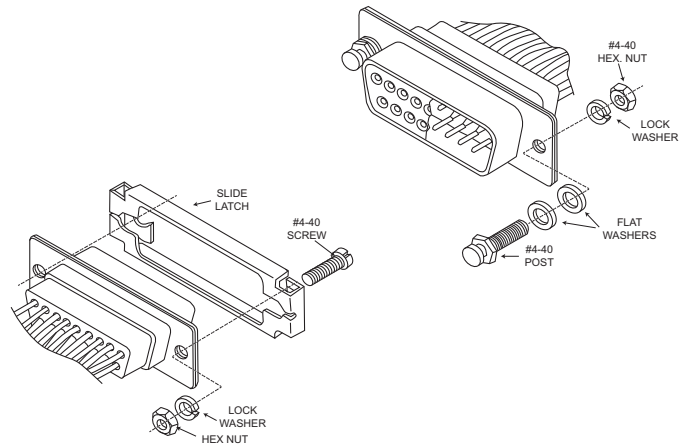
Dimensions shown in mm (inch)  
 Specifications and dimensions subject to change

## Screw Lock Assemblies

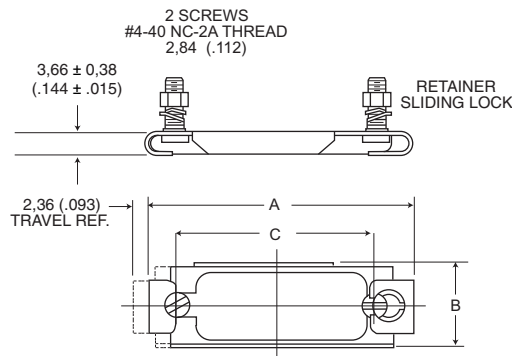
ITT offers the largest variety of locking and latching hardware. Refer to the accessories selection guide on pages 2-3 for use with Cannon backshells.

### Product Features

- Ensures positive mating
- Provides locking and latching for high vibration applications



## Sliding Lock Retainer Assembly



- Ideal for Ethernet Applications
- Kit consists of 1 sliding lock plate, 2 mounting screws, 2 lock washer, 2 hex nuts
- Order 1 kit per connector

Descriptions	Material	Finish/ Treatment
Sliding Lock Plate	Stainless Steel	Passivated
Screw, Mounting	Steel	Trivalent Chromate over Zinc
Washer Lock Nut, Hex		

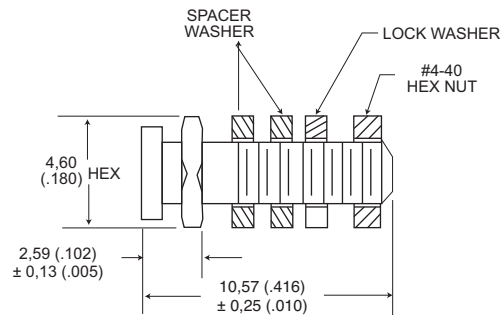
Shell Size	Layout	Part Number	A ± 0,38 (.015)	B ± 0,38 (.015)	C ± 0,13 (.005)
DE	9	DE51224-1	35,05 (1.380)	12,70 (.500)	25,00 (.984)
DA	15	DA51220-1*	43,70 (1.720)	12,70 (.500)	33,32 (1.312)
DB	25	DB51221-1	57,40 (2.260)	12,70 (.500)	47,04 (1.852)
DC	37	DC51222-1	73,86 (2.908)	12,70 (.500)	63,50 (2.500)
DD	50	DD51223-1	71,47 (2.814)	15,47 (.609)	61,11 (2.406)

\* Meets IEEE 802.3 Ethernet Specification

## Slide Lock Post Assemblies



- Consists of 1 post, 2 washers, 1 lock washer, and 1 hex nut.<sup>1</sup>
- Order 2 per connector.<sup>2</sup>



Part Number:	Each <sup>1,2</sup>	Kit of 2 each	Material: Steel, Finish: Chromate/Zinc
D53018	D53018	D53018-11	
D53018-14	D53018-14	D53018-20	Material: Stainless Steel, Finish: Passivated

NOTE: When rear-mounting connector to a 1/16" panel, delete the 2 washer.

Dimensions shown in mm (inch)  
Specifications and dimensions subject to change

www.ittcannon.com



## Spring Latch Assemblies

ITT offers the largest variety of locking and latching hardware. Refer to the accessories selection guide on pages 2-3 for use with Cannon backshells.

### Product Features

- Low Cost
- Minimizes field connection time
- Positive lock between connectors
- Packaged 2 kits per bag

### Materials and Finishes

Material:	Stainless Steel
Treatment:	Passivated

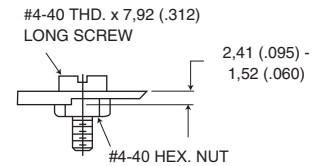
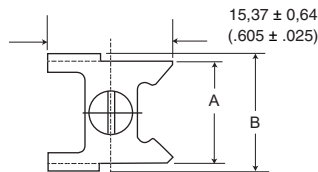
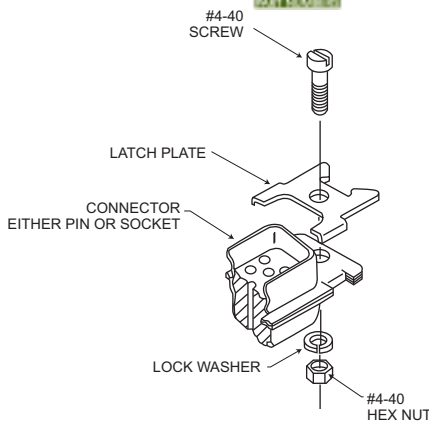
Unlocked



Locked



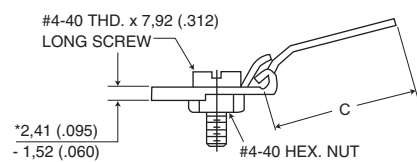
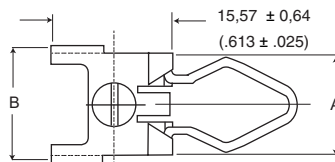
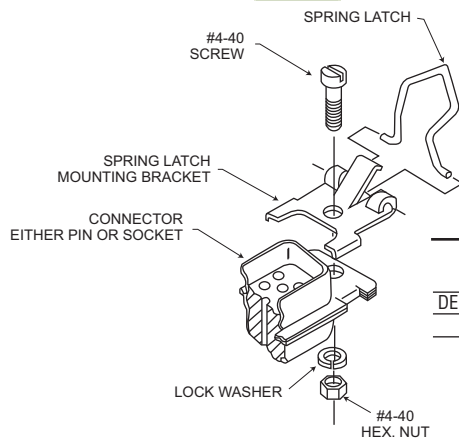
### Spring Latch Plate Assembly



Shell Size	Layout	Part Number	A ± 0,38 (.015)	B ± 0,38 (.015)	Part Number Kit of 2 each
DE, DA, DB, DC	9,15, 25, 37	D110278	12,42 (.489)	14,35 (.565)	D110278-4
DD	50	D110280	15,47 (.609)	17,09 (.673)	D110280-3

- Kit consists of 1 plate, 1 screw, 1 lock washer, 1 hex nut.
- Order 2 kits per connector.

### Spring Latch Assembly



Shell Size	Layout	Part Number	A ± 0,38 (.015)	B ± 0,38 (.015)	C ± 0,51 (.020)	Part Number Kit of 2 each
DE, DA, DB, DC	9,15, 25, 37	D110277	12,42 (.489)	14,35 (.565)	18,59 (.732)	D110277-2
DD	50	D110279	15,47 (.609)	17,09 (.673)	18,59 (.732)	D110279-3

D110277-4 Rear panel mount version

- Kit consists of 1 spring, 1 screw, 1 bracket, 1 lock washer, 1 hex nut.
- Order 2 kits per connector. Front panel mounting.



Dimensions shown in mm (inch)  
Specifications and dimensions subject to change

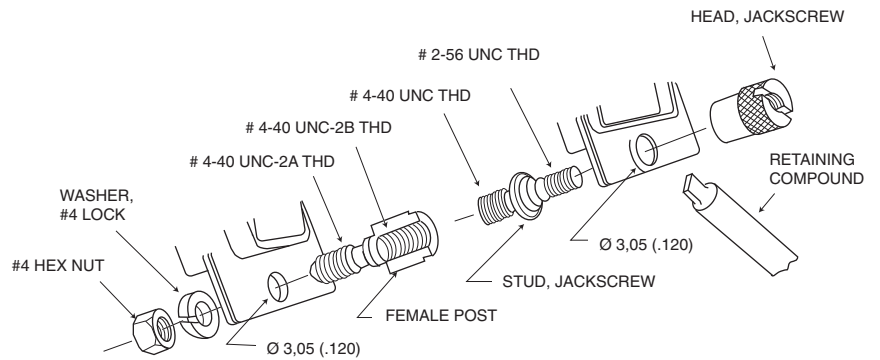
www.ittcannon.com

## Jackscrew/Jackpost Assemblies

ITT offers the largest variety of locking and latching hardware. Refer to the accessories selection guide on pages 2-3 for use with Cannon backshells.

Jackscrew Assembly

Jackpost Assembly

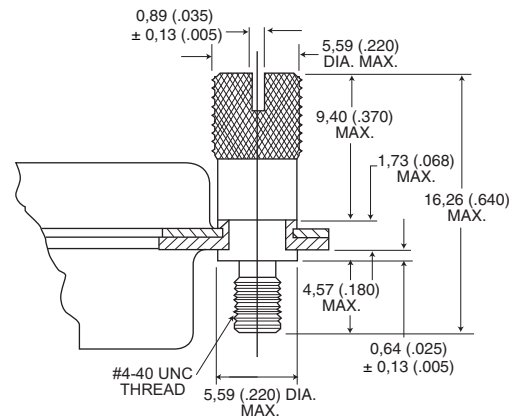


Jackscrew Assembly



- Kit consists of 2 studs, 2 heads,
- 1 tube retaining compound (US only)
- Order one kit per connector

Part Number:	D110550
Materials and Finishes	
Material:	Stainless Steel
Treatment:	Passivated

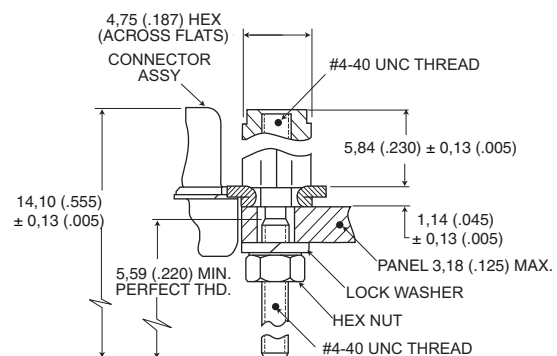


Jackpost Assembly



- Kit consists of 2 posts, 2 hex nuts, 2 lock washer
- Order one kit per connector

Part Number:	D110551
Materials and Finishes	
Material:	Stainless Steel
Treatment:	Passivated



NOTE: Jack post is not compatible with rear-panel mount connectors.

## Guide Pin Plate

Female



- Useful in blind mate applications.
- Kit consists of 1 plate, 2 screws.
- Guide pin inserts for Size 8 cavities for Combo D® connectors also available.

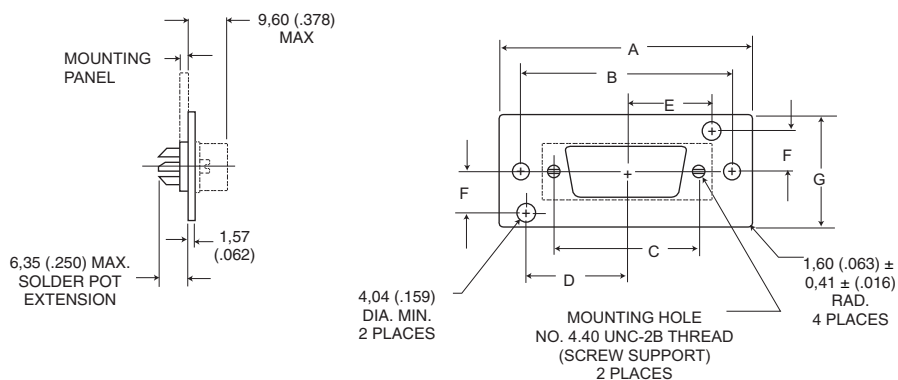
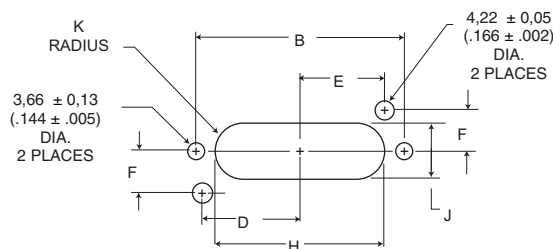


Plate and Hardware Material: Steel  
 Plate and Hardware Finish: Chromate over Zinc

Shell Size	Layout	Part Number	A ±0,41 (.016)	B ±0,13 (.005)	C ±0,13 (.005)	D ±0,13 (.005)	E ±0,13 (.005)	F ±0,13 (.005)	G ±0,41 (.016)	H ±0,41 (.016)	J ±0,41 (.016)	K ±0,41 (.016)
DE	9	DE111920	49,61 (1.953)	40,08 (1.578)	25,00 (.986)	18,65 (.734)	15,27 (.601)	9,52 (.375)	25,40 (1.000)	30,58 (1.204)	12,29 (.484)	6,15 (.242)
DA	15	DA22214	57,96 (2.282)	48,41 (1.906)	33,32 (1.312)	22,81 (.898)	19,43 (.765)	9,52 (.375)	25,40 (1.000)	38,91 (1.532)	12,29 (.484)	6,15 (.242)
DB	25	DB22254	71,63 (2.820)	62,13 (2.446)	47,04 (1.852)	29,67 (1.168)	26,29 (1.035)	9,52 (.375)	25,40 (1.000)	51,21 (2.016)	11,91 (.469)	5,94 (.234)
DC	37	DC22071	88,11 (3.469)	78,59 (3.094)	63,50 (2.500)	37,90 (1.492)	34,52 (1.359)	9,52 (.375)	25,40 (1.000)	67,49 (2.657)	11,91 (.469)	5,94 (.234)
DD	50	DD21961	85,72 (3.375)	76,20 (3.000)	61,11 (2.406)	36,50 (1.437)	33,32 (1.312)	11,10 (.437)	28,58 (1.125)	65,10 (2.563)	14,30 (.563)	7,16 (.282)

### Recommended Panel Cutout





## Guide Pin Plate

Male



- Useful in blind mate applications.
- Kit consists of 1 plate, 2 sems screws, 2 rivets, 2 guide pins, 2 washer
- Guide pin inserts for Size 8 cavities for Combo D® connectors also available.

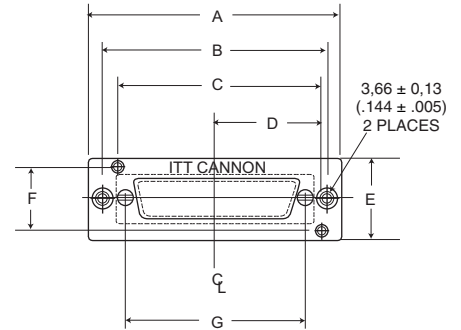
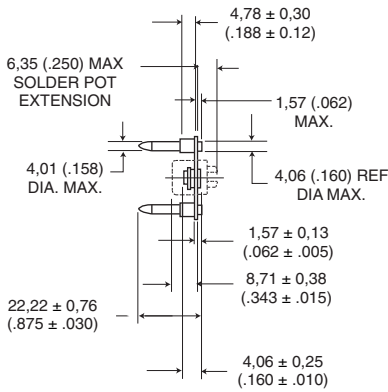
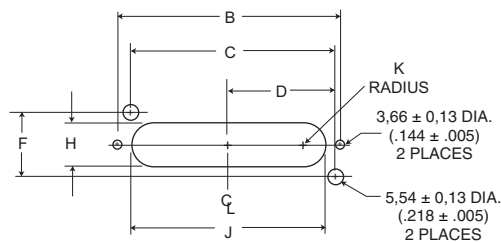


Plate and Hardware Material:	Steel
Plate and Hardware Finish:	Chromate over Zinc
Guide Pin Material:	Stainless Steel

Shell Size	Layout	Part Number	A ±0,41 (.016)	B ±0,13 (.005)	C ±0,13 (.005)	D ±0,13 (.005)	E ±0,13 (.005)	F ±0,13 (.005)	G ±0,41 (.016)	H ±0,41 (.016)	J ±0,41 (.016)	K ±0,41 (.016)
DE	9	DE111919	49,61 (1.953)	40,08 (1.578)	33,91 (1.335)	18,65 (.734)	25,40 (1.000)	19,05 (.750)	25,00 (.984)	12,29 (.484)	30,58 (1.204)	6,15 (.242)
DA	15	DA22213	57,96 (2.282)	48,41 (1.906)	42,24 (1.663)	22,81 (.898)	25,40 (1.000)	19,05 (.750)	33,32 (1.312)	12,29 (.484)	38,89 (1.531)	6,15 (.242)
DB	25	DB22255	71,63 (2.820)	62,13 (2.446)	55,96 (2.203)	29,67 (1.168)	25,40 (1.000)	19,05 (.750)	47,04 (1.852)	12,29 (.484)	51,99 (2.047)	6,15 (.242)
DC	37	DC22070	88,11 (3.469)	78,59 (3.094)	72,42 (2.851)	37,90 (1.492)	25,40 (1.000)	19,05 (.750)	63,50 (2.500)	12,29 (.484)	68,25 (2.687)	6,15 (.242)
DD	50	DD21962	85,72 (3.375)	76,20 (3.000)	69,82 (2.749)	36,50 (1.437)	28,58 (1.125)	22,20 (.874)	61,11 (2.406)	15,06 (.593)	66,93 (2.635)	7,52 (.296)

### Recommended Panel Cutout



Dimensions shown in mm (inch)  
 Specifications and dimensions subject to change

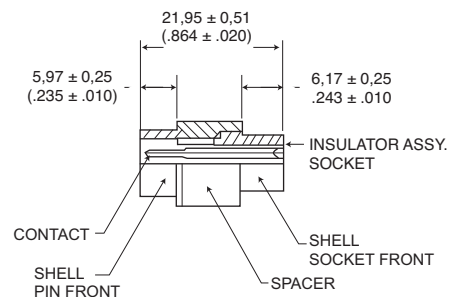
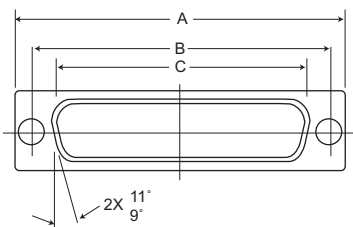
www.ittcannon.com



## Connector Saver



Engaging Face, Pin Side



NOTE: Hardware removed for clarity.

Shell Size	Layout	Part Number	A ± 0,40 (.015)	B ± 0,25 (.010)	C ± 0,25 (.010)
DE	9	DEBMA9PS	30,81 (1.213)	24,99 (.984)	16,92 (.666)
DA	15	DABMA15PS	39,14 (1.541)	33,32 (1.312)	25,25 (.994)
DB	50	DBBMA25PS	53,04 (2.088)	47,04 (1.852)	38,96 (1.534)
DC	37	DCBMA37PS	69,32 (2.729)	63,50 (2.500)	55,42 (2.182)
DD	50	DDBMA50PS	66,93 (2.635)	61,11 (2.406)	52,81 (2.079)

## Specifications

Temperature: -55° C to 105° C

Current Rating: 7 A

Dielectric withstanding Voltage: 500 VAC at Sea Level

## Materials and Finishes

Description	Material	Finish
Shells	Steel	Chromate Over Zinc
Insulator	Black Thermoplastic, UL 94V-0	—
Contacts	Copper Alloy	Gold Over Nickel
Spacer	Zinc Alloy	—
Locking Hardware	Steel	Clear Chromate Over Zinc

# Cannon D-Subminiature Accessories

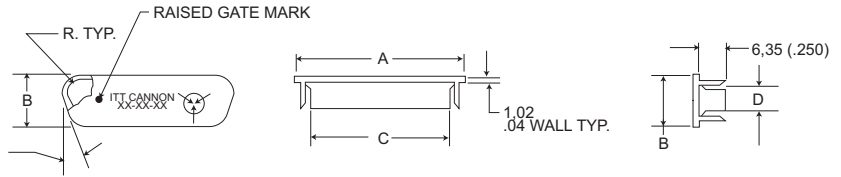
---

Dimensions shown in mm (inch)  
Specifications and dimensions subject to change

[www.ittcannon.com](http://www.ittcannon.com)



## Dust Cap



Dust caps provide protection from moisture and dust for unused I/O ports.

NOTE: C dim. applies at point of maximum Integral interface length. Drawing shown for Black Anti-static caps. Dimensions shown are reference only.

### Product Features

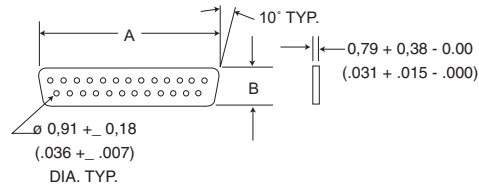
- Conductive Dust Caps provide a surface resistivity of at least  $1 \times 10^9$  ohms/sq
- Dust Caps meet the static decay test requirements of MIL-B- 81705C, Type II.
- Dust Caps have an integral flange for easy application and removal

### Materials and Finishes

Material: Polyethylene

Black Antistatic	Red Caps	I.D.	A	B	C	D
DE-59-20BA	DE-59-20RC	Socket	20,32 (.800)	11,43 (.450)	16,36 (.644)	7,59 (2.99)
DA-59-20BA	DA-59-20RC	Socket	28,45 (1.120)	11,68 (.460)	24,59 (.968)	7,62 (.300)
DB-59-20BA	DB-59-20RC	Socket	42,42 (1.670)	11,68 (.460)	38,25 (1.506)	7,49 (.295)
DC-59-20BA	DC-59-20RC	Socket	58,93 (2.320)	11,68 (.460)	54,81 (2.158)	7,37 (.290)
DD-59-20BA	DD-59-20RC	Socket	56,90 (2.240)	14,48 (.570)	53,11 (2.091)	10,41 (.410)
DE-60-20BA	DE-60-20RC	Pin	21,84 (.860)	12,95 (5.10)	17,78 (.700)	8,92 (.351)
DA-60-20BA	DA-60-20RC	Pin	30,48 (1.200)	12,95 (.510)	26,52 (1.044)	9,02 (.355)
DB-60-20BA	DB-60-20RC	Pin	44,20 (1.740)	13,46 (.530)	39,60 (1.559)	9,09 (.358)
DC-60-20BA	DC-60-20RC	Pin	60,71 (2.390)	13,46 (.530)	56,90 (2.240)	9,37 (.369)
DD-60-20BA	DD-60-20RC	Pin	58,17 (2.290)	16,00 (.630)	54,28 (2.137)	12,04 (.474)

## Interfacial Seal



Interfacial seals provide moisture resistance at the mating interface.

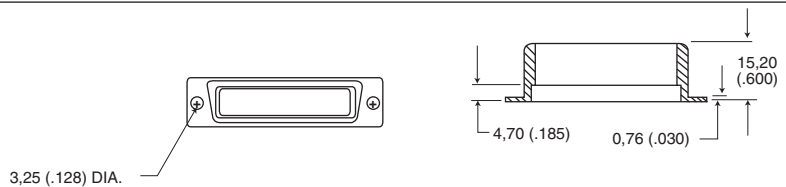
### Product Features

- Other Interfacial Seals in the Combo D® layout are available upon request.

Material: Silastic Sheet

Shell Size	Layout	Part Number	A	B
DE	9	DE53750	16,66 (.656)	8,41 (.331)
DA	15	DA53750-1	24,99 (.984)	8,41 (.331)
DB	25	DB53750-2	38,88 (1.531)	8,41 (.331)
DC	37	DC53750-3	55,14 (2.171)	8,41 (.331)
DD	50	DD53750-4	52,78 (2.078)	11,10 (.437)
DC	21WA4	075-0354-003	55,14 (2.171)	8,41 (.331)
DE	15	273-0333-000	16,66 (.656)	8,41 (.331)
DA	26	273-0334-000	24,99 (.984)	8,41 (.331)
DB	44	273-0335-000	38,88 (1.531)	8,41 (.331)
DC	62	273-0336-000	55,14 (2.171)	8,41 (.331)

## Potting Shell



Potting shells are molded with a thin flange 0,76 (.030) to permit the use of D Submarine locking devices.

### Materials and Finishes

Material: Nylon  
Color: Natural (white)

Shell Size	Layout	Part Number
DE	9	DE50904-1
DA	15	DA50905-1
DB	25	DB50906-1
DC	37	DC50907-1
DD	50	DD50908-1



Dimensions shown in mm (inch)  
Specifications and dimensions subject to change

www.ittcannon.com

# Cannon D-Subminiature Accessories

StandardRoHS Part #	Page Part #	#	StandardRoHS Part #	Page Part #	#	StandardRoHS Part #	Page Part #	#
075-0354-003	Same	20	DA121073-50	Same	4	DC24660	DC24660-4	7
250-8501-004	Same	5	DA19678-1	DA19678-212	8	DC50907-1	Same	20
250-8501-009	Same	5	DA19977-1	DA19977-68	8	DC51214	Same	10
250-8501-010	Same	5	DA20961	DA20961-26	7	DC51215	Same	10
250-8501-013	Same	5	DA22213	Same	17	DC51222-1	Same	13
273-0333-000	Same	20	DA22214	Same	16	DC53750-3	Same	20
273-0334-000	Same	20	DA24658	DA24658-28	7	DC-59-20	Same	20
273-0335-000	Same	20	DA50905-1	Same	20	DC-60-20	Same	20
273-0336-000	Same	20	DA51210	Same	10	DCBMA37PS	Same	18
273-0337-000	Same	20	DA51211	Same	10	DD115339-24	Same	9
980-2000-345	Same	6	DA51220-1	Same	13	DD121073-153	Same	4
980-2000-346	Same	6	DA53750-1	Same	20	DD121073-53	Same	4
980-2000-347	Same	6	DA-59-20	Same	20	DD19678-4	DD19678-215	8
980-2000-348	Same	6	DA-60-20	Same	20	DD19977-4	DD19977-71	8
980-2000-350	Same	10	DABMA15PS	Same	18	DD20964	DD20964-32	7
980-2000-351	Same	10	DABS-15	Same	9	DD21961	Same	16
980-2000-352	Same	10	DB111807-1	Same	19	DD21962	Same	17
980-2000-353	Same	10	DB111807-5	Same	19	DD24661	DD24661-3	7
980-2000-354	Same	10	DB111807-5	Same	19	DD50908-1	Same	20
980-2000-355	Same	10	DB111811	Same	19	DD51216	Same	10
D110277	Same	14	DB115339-22	Same	9	DD51217	Same	10
D110278	Same	14	DB121073-151	Same	4	DD51223-1	Same	13
D110279	Same	14	DB121073-51	Same	4	DD53750-4	Same	20
D110280	Same	14	DB19678-2	DB19678-213	8	DD-59-20	Same	20
D110550	Same	15	DB19977-2	DB19977-69	8	DD-60-20	Same	20
D110551	Same	15	DB20962	DB20962-30	7	DDBMA50PS	Same	18
D121073-19	Same	5	DB22254	Same	16	DE111805-1	Same	19
D121073-39	Same	12	DB22255	Same	17	DE111805-5	Same	19
D121073-42	Same	12	DB24659	DB24659-27	7	DE111805-5	Same	19
D20418-2	D20418-134	12	DB50906-1	Same	20	DE111813	Same	19
D20418-39	D20418-136	12	DB51212	Same	10	DE111919	Same	17
D20418-50	D20418-135	12	DB51213	Same	10	DE111920	Same	16
D20418-74	D20418-137	12	DB51221-1	Same	13	DE115339-20	Same	9
D20419	D20419-211	11	DB53750-2	Same	20	DE121073-154	Same	4
D20419-104	D20419-214	11	DB-59-20	Same	20	DE121073-54	Same	4
D20419-18	D20419-212	11	DB-60-20	Same	20	DE19977-5	DE19977-72	8
D20419-21	D20419-213	11	DBBMA25PS	Same	18	DE24657	DE24657-29	7
D20420	D20420-157	11	DBBS-25	Same	9	DE44994	DE44994-14	7
D20420-13	D20420-158	11	DC111808-1	Same	19	DE50904-1	Same	20
D20420-15	D20420-159	11	DC111808-5	Same	19	DE51218	Same	10
D20420-86	D20420-160	11	DC115339-23	Same	9	DE51219	Same	10
D53018	Same	13	DC121073-152	Same	4	DE51224-1	Same	13
DA111806-1	Same	19	DC121073-52	Same	4	DE53750	Same	20
DA111806-5	Same	19	DC19678-3	DC19678-214	8	DE-59-20	Same	20
DA111806-5	Same	19	DC19977-3	DC19977-70	8	DE-60-20	Same	20
DA111810	Same	19	DC20963	DC20963-27	7	DEBMA9PS	Same	18
DA115339-21	Same	9	DC22070	Same	17	DEBS-9	Same	9
DA121073-150	Same	4	DC22071	Same	16			

# Product Safety Information

---

## 1. MATERIAL CONTENT AND PHYSICAL FORM

Electrical connectors do not usually contain hazardous materials. They contain conducting and non-conducting materials and can be divided into two groups.

a) Printed circuit types and low cost audio types which employ all plastic insulators and casings.

b) Rugged, Fire Barrier and High Reliability types with metal casings and either natural rubber, synthetic rubber, plastic or glass insulating materials. Contact materials vary with type of connector and also application and are usually manufactured from either: Copper, copper alloys, nickel, alumel, chromel or steel. In special applications, other alloys may be specified.

## 2. FIRE CHARACTERISTICS AND ELECTRIC SHOCK HAZARD

**There is no fire hazard when the connector is correctly wired and used within the specified parameters. Incorrect wiring or assembly of the connector or careless use of metal tools or conductive fluids, or transit damage to any of the component parts may cause electric shock or burns. Live circuits must not be broken by separating mated connectors as this may cause arcing, ionization and burning.** Heat dissipation is greater at maximum resistance in a circuit. Hot spots may occur when resistance is raised locally by damage, e.g. cracked or deformed contacts, broken strands of wire. Local overheating may also result from the use of the incorrect application tools or from poor quality soldering or slack screw terminals. Overheating may occur if the ratings in the product Data Sheet/Catalog are exceeded and can cause breakdown of insulation and hence electric shock. If heating is allowed to continue it intensifies by further increasing the local resistance through loss of temper of spring contacts, formation of oxide film on contacts and wires and leakage currents through carbonization of insulation and tracking paths. Fire can then result in the presence of combustible materials and this may release noxious fumes. Overheating may not be visually apparent. Burns may result from touching overheated components.

## 3. HANDLING

Care must be taken to avoid damage to any component parts of electrical connectors during installation and use. Although there are normally no sharp edges, care must be taken when handling certain components to avoid injury to fingers. Electrical connectors may be damaged in transit to the customers, and damage may result in creation of hazards. Products should therefore be examined prior to installation/use and rejected if found to be damaged.

## 4. DISPOSAL

Incineration of certain materials may release noxious or even toxic fumes.

## 5. APPLICATION

Connectors with exposed contacts should not be selected for use on the current supply side of an electrical circuit, because an electric shock could result from touching exposed contacts on an unmated connector. Voltages in excess of 30 V ac or 42.5 V dc are potentially hazardous and care should be taken to ensure that such voltages cannot be transmitted in any way to exposed metal parts of the connector body. The connector and wiring should be checked, before making live, to have no damage to metal parts or insulators, no solder blobs, loose strands, conducting lubricants, swarf, or any other undesired conducting particles. Circuit resistance and continuity check should be made to make certain that there are no high resistance joints or spurious conducting paths. Always use the correct application tools as specified in the Data Sheet/Catalog. Do not permit untrained personnel to wire, assemble or tamper with connectors. For operation voltage please see appropriate national regulations.

## IMPORTANT GENERAL INFORMATION

**(i) Air and creepage paths/Operating voltage.** The admissible operating voltages depend on the individual applications and the valid national and other applicable safety regulations.

For this reason the air and creepage path data are only reference values. Observe reduction of air and creepage paths due to PC board and/or harnessing.

## **(ii) Temperature**

All information given are temperature limits. The operation temperature depends on the individual application.

## **(iii) Other important information**

ITT continuously endeavors to improve their products. Therefore, Cannon products may deviate from the description, technical data and shape as shown in this catalog and data sheets.

“Engineered for life” and “Cannon” are registered trademarks of ITT Corporation ©2007. All data subject to change without notice.

## PRODUCT WARRANTY

ITT Electronic Components, a division of ITT Corporation, manufactures the highest quality products available in the marketplace; however these products are intended to be used in accordance with the specifications in this publication. Any use or application that deviates from the stated operating specifications is not recommended and may be unsafe. No information and data contained in this publication shall be construed to create any liability on the part of ITT. Any new issue of this publication shall automatically invalidate and supersede any and all previous issues. A limited warranty applies to Cannon products. Except for obligations assumed by ITT under this warranty, ITT shall not be liable for any loss, damage, cost of repairs, incidental or consequential damages of any kind, whether or not based on express or implied warranty, contract, negligence or strict liability arising in connection with the design, manufacture, sale, use or repair of the products. Product availability, prices and delivery dates are exclusively subject to our respective order confirmation form; the same applies to orders based on development samples delivered. This publication is not to be construed as an offer. It is intended merely as an invitation to make an offer. By this publication, ITT does not assume responsibility or any liability for any patent infringements or other rights of third parties which may result from its use. Reprinting this publication is generally permitted, indicating the source. However, ITT's prior consent must be obtained in all cases.



---

## Rack & Panel Connectors

ITT is the world leader in rack and panel connectors, offering unmatched variety of shell configurations and insert arrangements, materials, plating and contact options. Many of our standard and custom designs meet the stringent requirements of ARINC 600, ARINC 404 (MIL-C-81659), and MIL-DTL-83733 standards.



[www.ittcannon.com/rackandpanel](http://www.ittcannon.com/rackandpanel)

---

## Circular/Filter/Hermetic Connectors

As a world leader in circular, filter and hermetic connectors, ITT can leverage its design and manufacturing expertise to fit virtually any application. Our expertise includes fast positive mating for a wide range of military applications, as well as numerous sizes and contact configuration for various harsh environments. ITT can also meet numerous specs, including NATO and MIL standards.



[www.ittcannon.com/circulars](http://www.ittcannon.com/circulars) • [www.ittcannon.com/filter](http://www.ittcannon.com/filter) • [www.ittcannon.com/hermetics](http://www.ittcannon.com/hermetics)

---

## D-Subminiature Connectors

Cannon invented D-sub connectors in 1952. Our family of D-Subs now includes combinations of signal, power and RF, as well as severe service sealed connectors. Cannon D-Subs are available with an extensive line of backshells and accessories and are one of the most economical shielded connector solutions available. Qualified to the MIL-DTL-24308 specification.



[www.ittcannon.com/dsubs](http://www.ittcannon.com/dsubs)

---

## Fiber Optic Connectors and Cable Assemblies

Cannon fiber optic solutions provide an excellent performance/cost value. Performance can be tailored to the end system, and our use of superior materials and bonding agents provides highly effective solutions. Our wide variety of products includes fiber optic hybrid contacts, multi-channel, rack and panel, and hi-rel assemblies, including MIL and ARINC standard solutions.



[www.ittcannon.com/fiberoptics](http://www.ittcannon.com/fiberoptics)

---

## Microminiature Connectors

Cannon microminiature connectors offer high performance and reliability with exceptional versatility. Available in rectangular, circular and strip configurations for countless applications, many of our connectors meet or exceed applicable requirements of the MIL-DTL-83513 specification.



[www.ittcannon.com/micro](http://www.ittcannon.com/micro)

---

ITT's Electronic Components business ([www.ittcannon.com](http://www.ittcannon.com)) is an international supplier of connectors, interconnects, cable assemblies, I/O card kits and smart card systems. As a worldwide leader in connector technology for nearly a century, ITT offers one of the industry's broadest product offerings, manufacturing capability worldwide, fast time to market, high volume/high yield capacity, robust design and Value-Based Product Development and an extensive sales and customer support network.



**ITT**



## **Customer Support Locations**

### ASIA

Tuopandun Industrial Area, Jinda Cheng,  
Xiner Village, Shajing Town,  
Baoan District, Shenzhen City,  
Guangdong, China 518125  
Tel: +86 755 2726 7238  
Fax: +86 755 2726 7515

### GERMANY

Cannonstrasse 1  
Weinstadt, 71384  
Tel: +49.7151.699.0  
Fax: +49.7151.699.217

### ITALY

Corso Europa 41/43  
Lainate (MI),  
Italy 20020  
Tel: +39.02938721  
Fax: +39.0293872300

### UK

Jays Close, Viables Estate  
Basingstoke, Hants, RG22 4BA  
Tel: +44.1256.311200  
Fax: +44.1256.323356

### USA

666 East Dyer Road  
Santa Ana, CA 92705  
Tel: 714.557.4700  
Fax: 714.628.2142



## X-ON Electronics

Largest Supplier of Electrical and Electronic Components

*Click to view similar products for [D-Sub Backshells](#) category:*

*Click to view products by [ITT](#) manufacturer:*

Other Similar products are found below :

[173114-0084](#) [173112-1658](#) [600X51137X](#) [600X54009X](#) [66241-12A](#) [M85049/48-1-2](#) [M85049/48-3-5F](#) [M85049/6-38N](#) [M85049/86-12N03](#)  
[70.350.0636.4](#) [70.350.2435.1](#) [72.350.1035.2](#) [72.352.2435.1](#) [73.359.4035.3](#) [799-015TMH07M](#) [799-015TMH08N](#) [FKH1RE](#) [829472-1](#) [F-](#)  
[PHG-1E](#) [F-PHG-3E](#) [F-PHG-4E](#) [F-PHR-4E](#) [PCS-E20W](#) [8655MHRA0901KLF](#) [8655MHRA2501KLF](#) [958-009-010R011](#) [970-015-040R011](#)  
[970-025-030R121](#) [970-025-040R011](#) [971-009-030R121](#) [971-009-040R011](#) [971-015-040R011](#) [971-025-040R011](#) [GS85049/38-25M](#) [975T009-](#)  
[020R121](#) [975T015-020R121](#) [1-21986-2](#) [1-21986-5](#) [DB-20962](#) [DE-C8-J9-F4-1R](#) [DE-C8-J9-F5-1R](#) [DPH-B-003](#) [1437013-9](#) [1484402-8](#)  
[MS3057-10A](#) [156-3025-EX](#) [MS3417-16C](#) [16-500800](#) [165X02659X](#) [165X03329A](#)