

# Nano Microminiature NDD & NDS Series Connectors



Board Mount

NDD - 25 P BR S - T S .109 A174

**Series**

NDS - Dual Lobe Nano, Single Row  
(Consult account rep for other mode codes)  
NDD - Dual Lobe Nano, Dual Row

**Contact Arrangement**

9, 15, 21, 25, 31, 37 & 51

**Contact Type**

P - Pin  
S - Socket

**Termination Type**

BS - Straight PCB Thru- Hole Termination  
BR - Right Angle PCB Thru- Hole Termination  
BRS- Right Angle PCB Surface Termination

**Hardware**

T - Threaded Hole  
N - No Hardware (Permitted with PCB Thru-Hole Only)

**Wire Finish**

S - Solder-Dipped  
G - Gold (Standard)

**Overall Wire Length (Inches)**

.010 Inch Minimum and Must be Rounded to the Nearest Thousandth of an Inch

Examples:  
.050 - 0.050 inch  
.250 - 0.250 inch  
1.000 - 1.000 inch

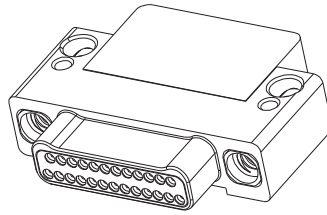
**Hardware**

S - Low Profile Jackscrew (Plugs Only) (Standard)  
T - Threaded Hole (Receptacles Only)  
N - No Hardware

**Shell Finish/Mod Codes**

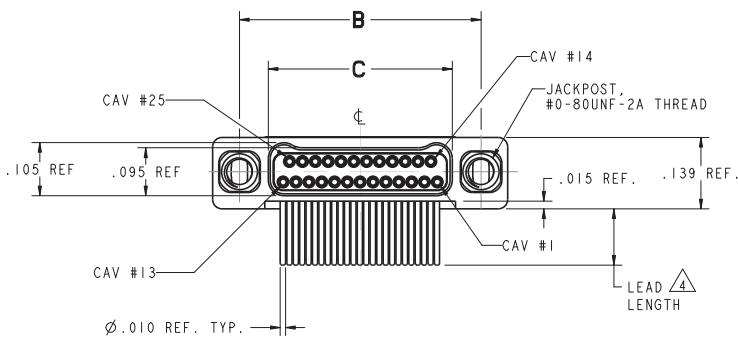
No Number/A101 - Yellow Chromate/Cadmium over Nickel (Not RoHS Compliant)  
A174 - Electroless Nickel (RoHS Compliant)

# Nano Microminiature NDD & NDS Series Connectors

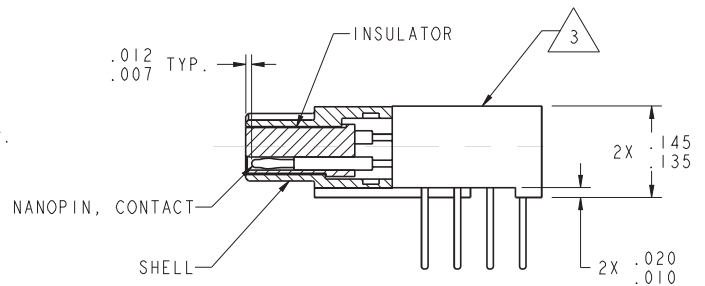


## Board Mount Plugs | Dimensions

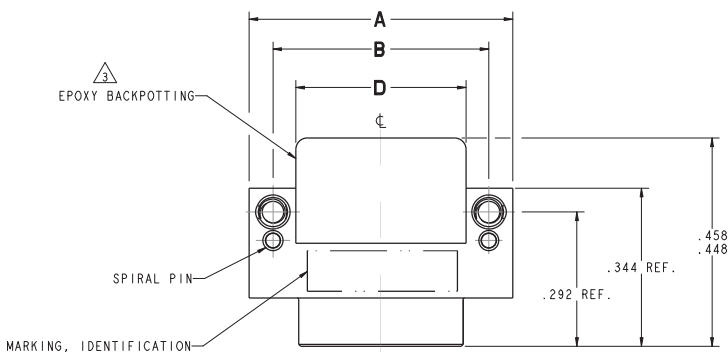
Size	A Ref.	B Ref.	C Ref.	D ±.005
9	.375	.270	.160	.170
15	.450	.345	.235	.245
21	.525	.420	.310	.320
25	.575	.470	.360	.370
31	.650	.545	.435	.445
37	.725	.620	.510	.520
51	.900	.795	.685	.695



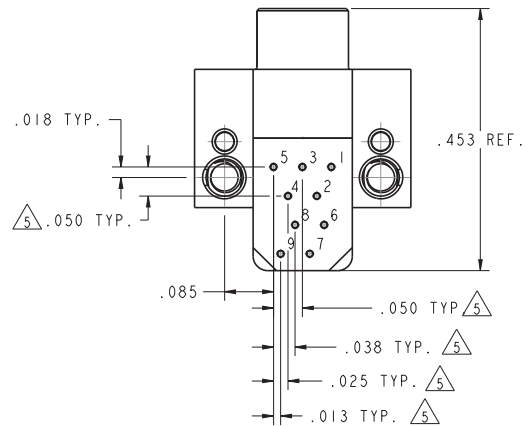
Front View



Side View



Top View

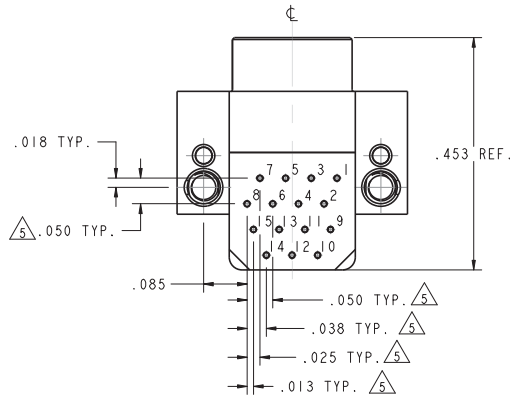


Size 9P

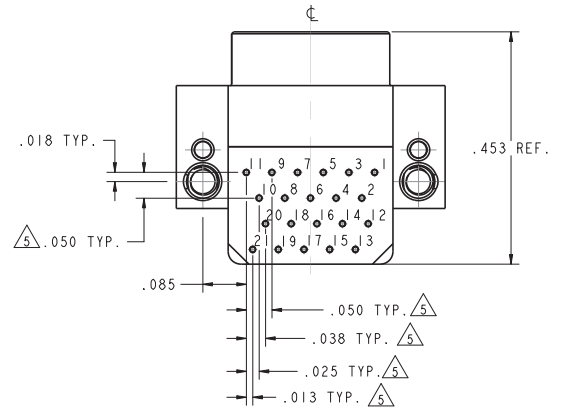
Dimensions shown in inches (mm)  
Specifications and dimensions subject to change

# Nano Microminiature NDD & NDS Series Connectors

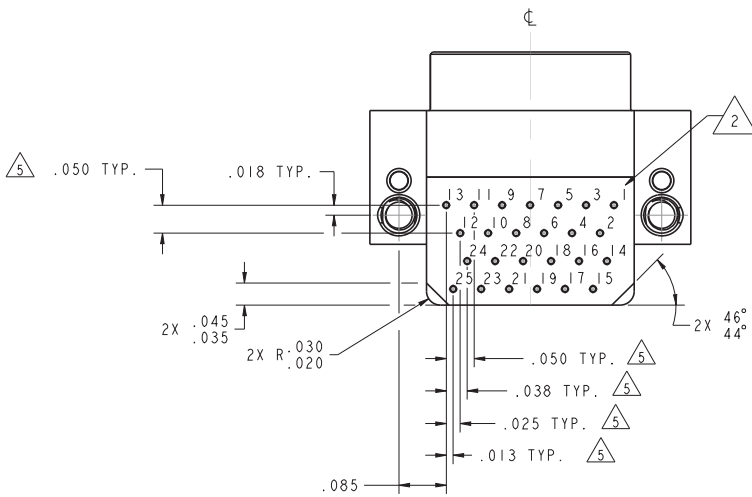
## Board Mount Plugs | Dimensions



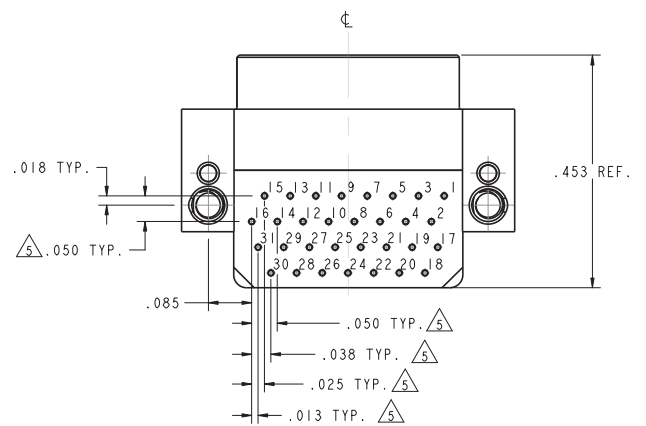
Size 15P



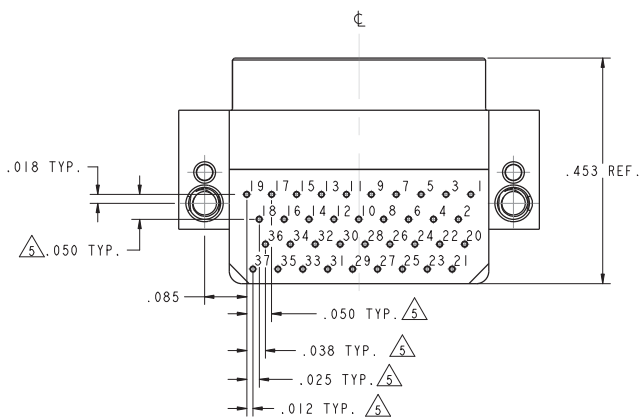
Size 21P



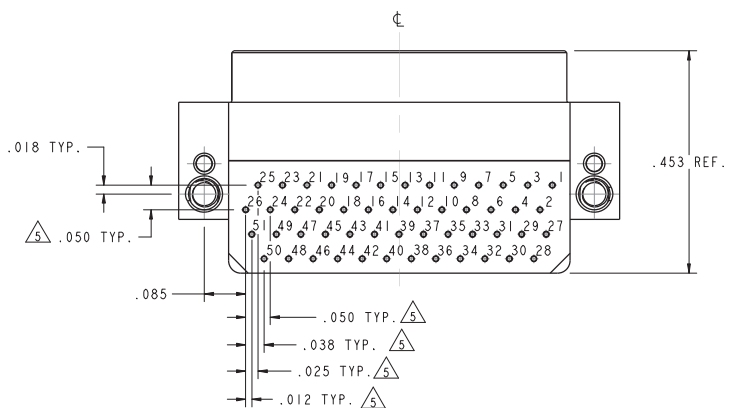
Size 25P



Size 31P



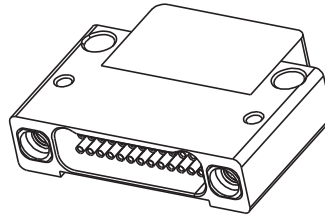
Size 37P



Size 51P

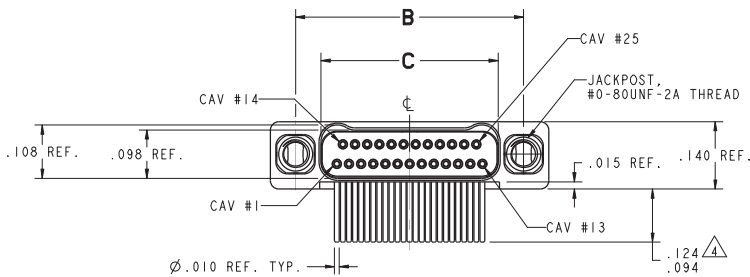
Dimensions shown in inches (mm)  
Specifications and dimensions subject to change

# Nano Microminiature NDD & NDS Series Connectors

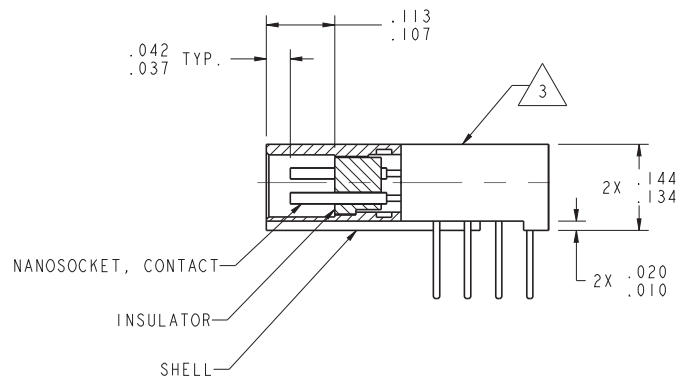


## Board Mount Receptacles | Dimensions

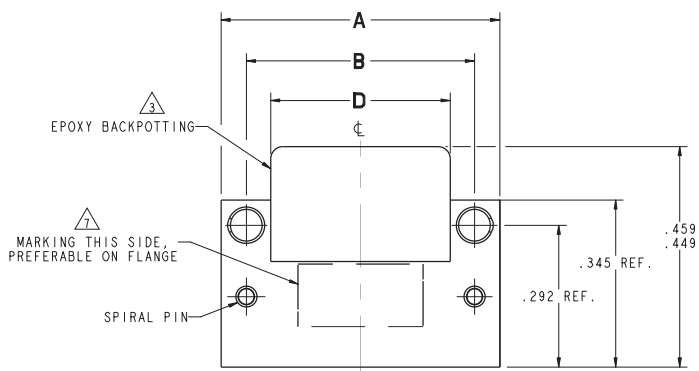
Size	A Ref.	B Ref.	C Ref.	D ±.005
9	.375	.270	.163	.170
15	.450	.345	.238	.245
21	.525	.420	.313	.320
25	.575	.470	.363	.370
31	.650	.545	.438	.445
37	.725	.620	.513	.520
51	.900	.795	.688	.695



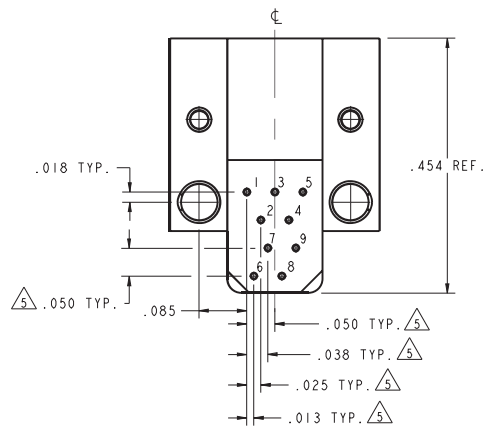
Front View



Side View



Top View

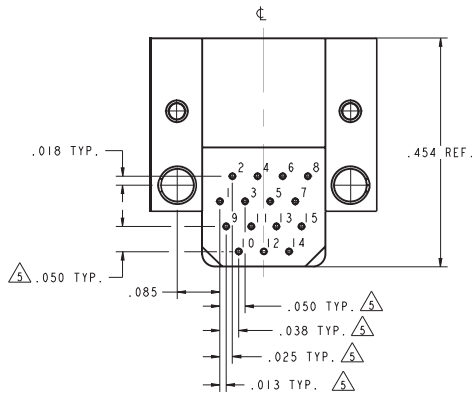


Size 9S

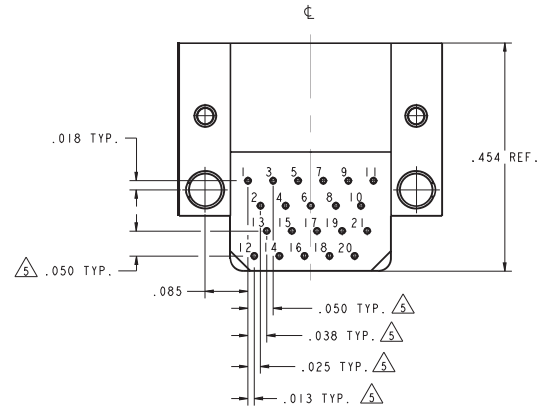
Dimensions shown in inches (mm)  
Specifications and dimensions subject to change

# Nano Microminiature NDD & NDS Series Connectors

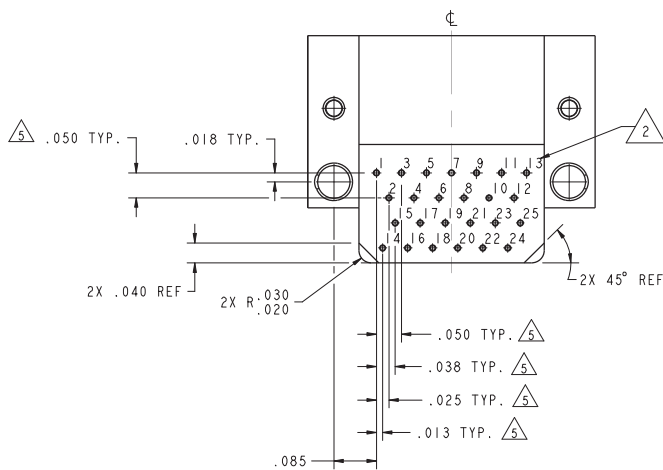
## Board Mount Receptacles | Contact Arrangements



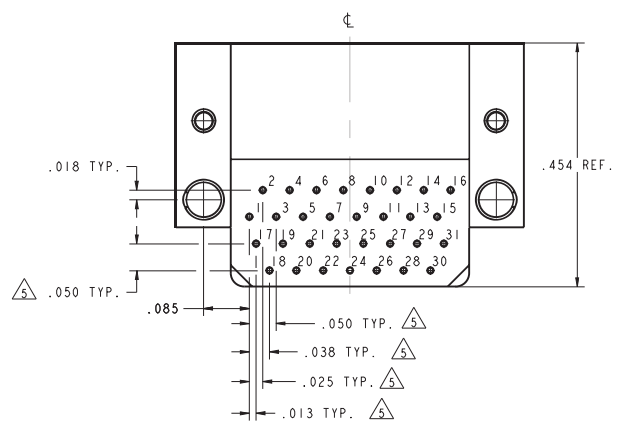
Size 15S



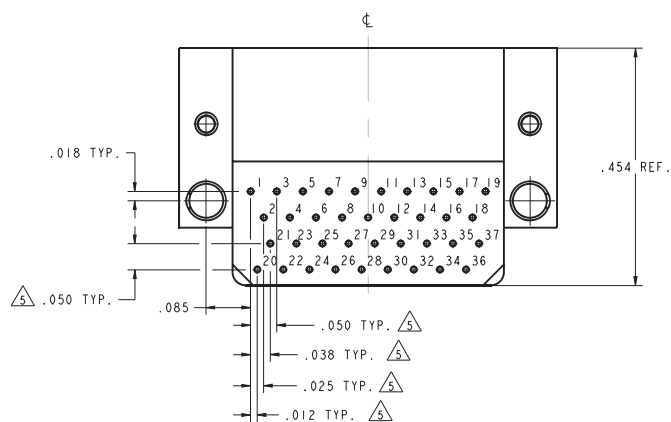
Size 21S



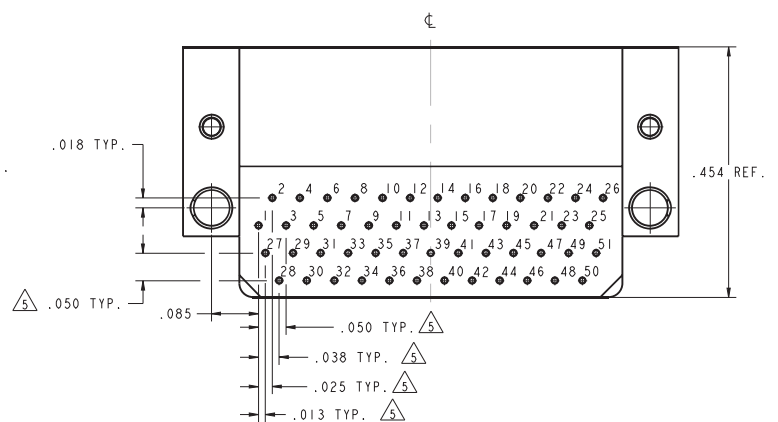
Size 25S



Size 31S



Size 37S



Size 51S

Dimensions shown in inches (mm)  
Specifications and dimensions subject to change

## X-ON Electronics

Largest Supplier of Electrical and Electronic Components

*Click to view similar products for [D-Sub Cables](#) category:*

*Click to view products by [ITT](#) manufacturer:*

Other Similar products are found below :

[1200980218](#) [1200980067](#) [RB09P09P-006](#) [RB09P09P-012](#) [RB15P15P-006](#) [RB25P25P-006](#) [RB37P37P-024](#) [172-0906](#) [SHD15P15S-012](#)  
[SHD15P15S-036](#) [177-710-1-9S6K7-24MNN](#) [ACL-10137-2MM](#) [RB09P09P-024](#) [319285-3](#) [RS422-OM2](#) [SHD26P26S-060](#) [SHD44P44S-036](#)  
[73-6210MM-6](#) [C200H-CN320-EU](#) [49725A 060S2](#) [73231-1321](#) [SDB-50AFFM-SL7A02](#) [49760A 060S2](#) [HDB-26AFFM-SL7A02](#) [30-9503P](#)  
[30-9522P](#) [73-6220MM-6](#) [1200980058](#) [1200980066](#) [1200980078](#) [1200980052](#) [1200980093](#) [1200980028](#) [1200980021](#) [1200980127](#) [SDB-](#)  
[09AFFM-SL7A02](#) [BB-LDVYCBL](#) [83421-9286](#) [MLDM2L-21P-6K7-18B](#) [KSFD1](#) [MM-2J2-021-SS1-41WN](#) [HDB-78AMMM-SL7A05](#) [SDB-](#)  
[37AMMM-SL7A03](#) [SDB-15AFFM-SL7A05](#) [ACC-500-163-R](#) [172-1910](#) [VS-25-DSUB-20-LI-2,0](#) [VS-25-DSUB-20-LI-5,0](#) [30-9506MF](#)  
[MLDM2L-25P-6K7-18B](#)