

ROTARY SWITCHES

SUB-MINIATURE T-05 SPACE SAVER ROTARY SWITCHES

This sub-miniature rotary switch has up to 8 positions in a T-05 can. Gold contacts deliver long life and reliability. Contacts are glass to metal sealed to prevent solder flux penetration. The Series 030 can be used for manually programming a single PC board for test or multi-function use.

Series 030



ACTUAL SIZE

APPLICATIONS

- Communications equipment
- Cable TV equipment
- Circuit breakers
- Timers
- Thermostatic controls

KEY FEATURES:

- Gold contacts
- Up to 8 positions
- Life: 10,000 mechanical actuation (nom.)
- Variety of actuator lengths
- Glass to metal sealed header
- PC terminals
- Sub-miniature package size (.36" diameter)

ORDERING INFORMATION:

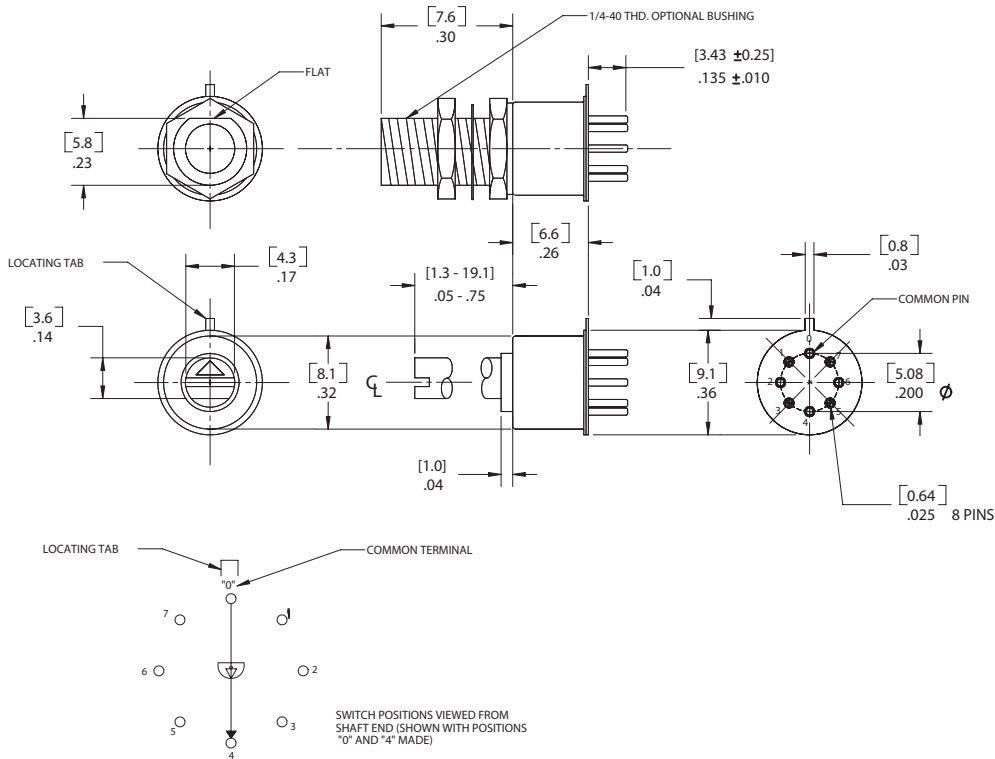
Part Number	Positions	Shaft Length	Custom *
030-202-018	2	0.18	—
030-303-018	3	0.18	—
030-404-018	4	0.18	—
030-404-904	4	0.05	Black Insert, Spacer, No Post
030-404-905	4	0.05	Red Insert, Micro Plastic Spacer
030-505-018	5	0.18	—
030-505-906	5	0.05	Black Insert, Spacer, No Post
030-606-018	6	0.18	—
030-606-902	6	0.30	Black Insert, Spacer, No Post
030-808-005	8	0.05	—
030-808-030	8	0.30	—
030-808-907	8	0.05	Black Insert, Spacer, No Post
030-808-908	8	0.30	Black Insert, Spacer, No Post
030-808-909	8	0.30	No Insert, Spacer, No Post

* Subject to change without notice, all orders are NC & NR.

STANDARDS / AGENCY / RATINGS:



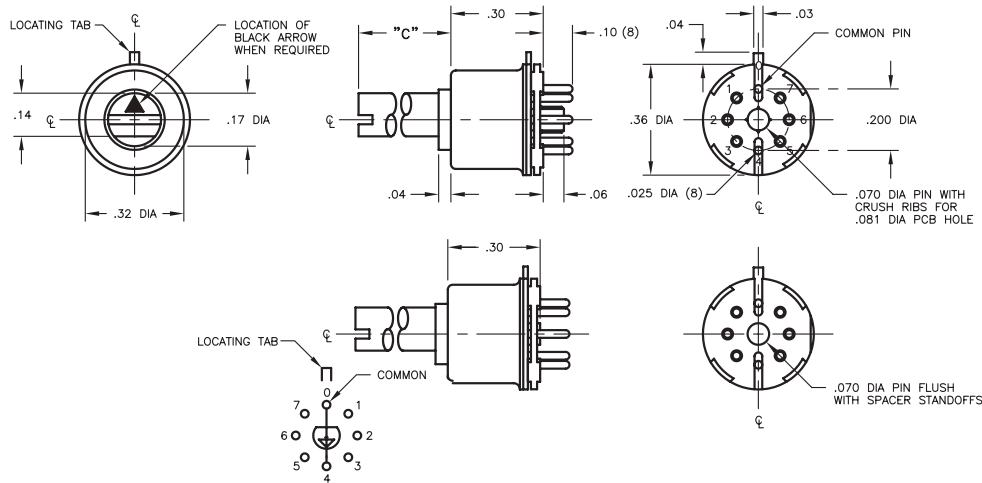
030-XOX-XXX



MECHANICAL / ELECTRICAL CHARACTERISTICS:

- Contact rating:**
dry circuit to 500 mA
@ 125 VAC
- Contact material:**
hard gold over barrier
- Contact resistance:**
80 milliohms Max (initially)
- Life:**
10,000 actuations
- End of life criteria:**
100 milliohms
contact resistance
- Angle of throw:**
45° / position—
8 positions max
- Breakdown voltage:**
500 V 60 HZ
- Insulation resistance:**
50,000 megohms
- Actuation torque:**
85 inch—grams nom initially
- Temperature range:**
-30°C to +100°C

030-XOX-9XX



X-ON Electronics

Largest Supplier of Electrical and Electronic Components

Click to view similar products for [Rotary Switches](#) category:

Click to view products by [ITW Switches](#) manufacturer:

Other Similar products are found below :

[57HS22-02-2-06N](#) [57M22-02B16N](#) [57M22-09A16N](#) [M3786/4-0881](#) [M3786/4-3267](#) [M3786/4-5568](#) [M3786/4-6029](#) [71ESF30-05204N](#)
[MC06L1NCGF](#) [84986-26](#) [9003K2C003GA](#) [PLR3251](#) [PLR3262](#) [PS3](#) [A0142M2SP](#) [A029303](#) [R2AA4455NNNN](#) [R2BB4455NNNN](#) [DR75-](#)
[AMSF-10R-B](#) [14-520.0360](#) [1703.3201](#) [HW1MS-0202-101](#) [24002-03S](#) [A029101](#) [ACSNO-129-YB-C1014](#) [ACSNO-134-RR-YB-C1005](#)
[ACSNO-353-SB-C3016](#) [1825537-4](#) [T505](#) [T505E](#) [24005-03N](#) [H10207RR01Q](#) [M3786/39-4ZC](#) [M3786/4-0002](#) [M3786/4-0630](#) [M3786/4-](#)
[1028L](#) [M3786/4-1233L](#) [M3786/4-3044](#) [M3786/4-3129](#) [M3786/4-5008L](#) [M3786/4-5256](#) [MC6CX1A502X009](#) [42HS36-01-1-06N](#) [42P36-](#)
[03B10S](#) [44MBS60-04-2-03N](#) [44MG90-02-1-02N](#) [50KMT90-01-2-02N](#) [51A22-01-1-16S](#) [51CDP30-01PAJN](#) [51KSP30-01D04N](#)