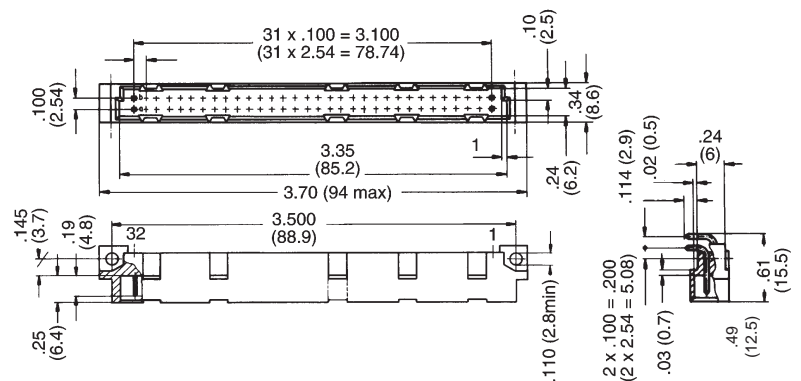
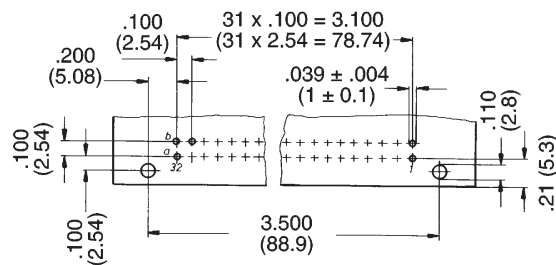


**Type B —  
Series 100**

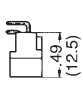
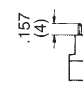
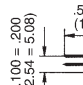
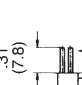
**32 and 64 Male Connectors  
— Two Row**



**Printed Circuit Layout**



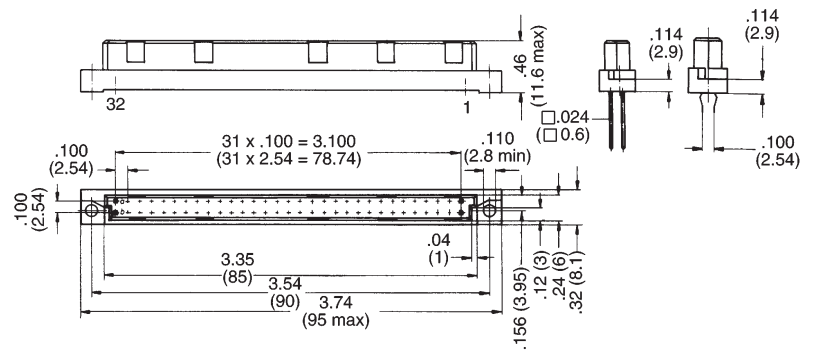
**Part Numbers**

No. of Contacts	Contact Arrangement	Performance Level	Termination Methods			
						
32	Row a + b All Even Numbers	2	100-532-033*	—	—	—
		3	100-532-053	—	—	—
64	Fully Equipped	2	100-064-033	100-064-133*	100-064-031*	100-064-134*
		3	100-064-053	100-064-153	100-064-051	100-064-154*

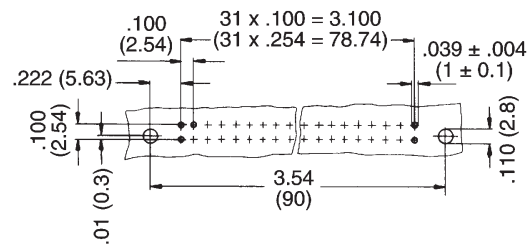
\* Contact Factory For Availability

**Type B —  
Series 100**

**32 and 64 Contact Female  
Connectors — Two Row**



**Printed Circuit Layout - Straight Tail Version**



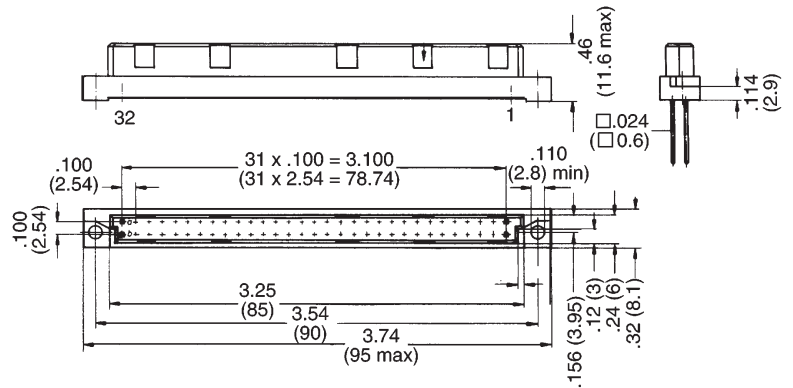
**Part Numbers**

No. of Contacts	Contact Arrangement	Performance Level	Termination Methods					
32	Row a + b All Even Numbers	2	—	—	100-532-433	—	—	—
		3	—	—	100-532-453*	—	—	—
64	Fully Equipped	2	100-064-431	100-064-432	100-064-433	100-064-439*	100-064-434*	100-064-533
		3	100-064-451	100-064-452	100-064-453	100-064-459	100-064-454*	100-064-553

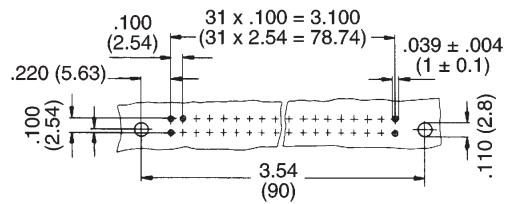
\* Contact Factory For Availability \*\* Printed Circuit Layout On Page 68

**Type B —  
Series 100**

**Press-Fit  
64 Contact Female  
Connectors — Two Row**



**Printed Circuit Layout**



**Press-Fit Technical Specifications**

Compliant Pin	
P.C.B. Thickness	.06 - .13 (1.6 - 3.2 mm)
Finished Hole Size	.037 - .043 (0.94 - 1.09 mm)
Drill Size	.045 ± .0004 (1.15 <sup>±0.01</sup> mm)
Copper	100μ" - 300μ" (25-76μm)
Tin-Lead	30μ" (6μm min)

**Part Numbers**

No. of Contacts	Contact Arrangement	Performance Level	Press-Fit			Press-Fit Insertion Die
64	Fully Equipped	2	100-064-932	100-064-931*	—	—
		3	100-064-952	100-064-951*	—	200-022-081

\* Contact Factory For Availability

## X-ON Electronics

Largest Supplier of Electrical and Electronic Components

*Click to view similar products for [Hard Metric Connectors](#) category:*

*Click to view products by [ITW Switches](#) manufacturer:*

Other Similar products are found below :

[10146110-VR5C](#) [6345127-1](#) [646916-9](#) [6469658-1](#) [853016](#) [973108](#) [1-2000713-0](#) [1-2000713-2](#) [1-2000713-3](#) [120646-1](#) [134187](#) [1645343-1](#)  
[1645456-1](#) [1645564-3](#) [1645594-1](#) [1645601-1](#) [1934822-1](#) [2000829-2](#) [2000985-2](#) [223085-1](#) [278071110010833](#) [1645179-1](#) [1645245-1](#)  
[1645457-1](#) [1645525-1](#) [1645570-1](#) [1645596-1](#) [17-8072-125-000-863+](#) [1857470-1](#) [1934275-1](#) [1934289-1](#) [1934759-1](#) [2000673-1](#) [2000843-2](#)  
[2000984-2](#) [204975](#) [2170292-2](#) [2-536642-6](#) [3-100668-0](#) [3-106015-1](#) [352188-1](#) [352629-1](#) [3-646346-0](#) [3-646356-0](#) [3-646457-0](#) [3-646529-0](#) [3-646530-0](#) [5120823-1](#) [5120899-1](#) [5120948-1](#)