

### SERIES KAP 26:



ACTUAL SIZE



### SUB-MINIATURE 8 AMP DOUBLE POLE/SIMULTANEOUS SNAP ACTION SWITCHES

Similar to Series 26 with improved materials and performance. Ideal for critical applications where long life and reliability are needed.

#### KEY FEATURES:

- Enhanced gold contacts for high or low power applications
- Thermoplastic case sealed to prevent flux intrusion
- Meets MIL-PRF-8805/77
- End or side terminals available
- Roller lever, lever, short roller lever and bushing mount actuators are available

#### APPLICATIONS

- Aircraft rotary actuators
- Aircraft valve actuators
- Circuit breakers
- Aircraft contractors
- Industrial machinery
- Medical equipment

#### ORDERING INFORMATION:

##### Switches

Part Number	Simultaneity	Contacts	Terminals
<b>26-810</b>	Simultaneous*	Enhanced Gold	End Solder

\* Within .002" of plunger travel.

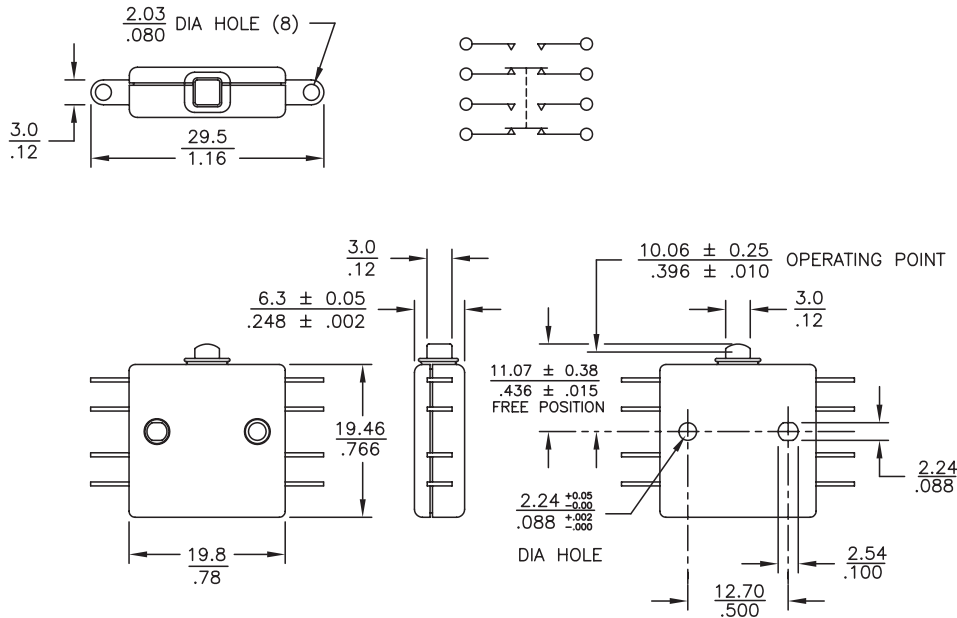
##### actuator (see page 70 for additional specifications)

Part Number	Switch Series	Oper. Force	Release Force	Pretravel	Overtravel	Movement Diff.
<b>76-1200</b> Roller Lever	26	8 oz max	1 1/2 oz min	.130 max	.026 min	.054 ± .022
<b>76-1210</b> Lever	26	7 oz max	2 oz min	.155 max	.025 min	.065 max
<b>76-1220</b> Short Roller Lever	26	16 oz max	5 oz min	.050 max	.012 min	.020 ± .010 - .005

#### STANDARDS / AGENCY / RATINGS:



## END TERMINATION



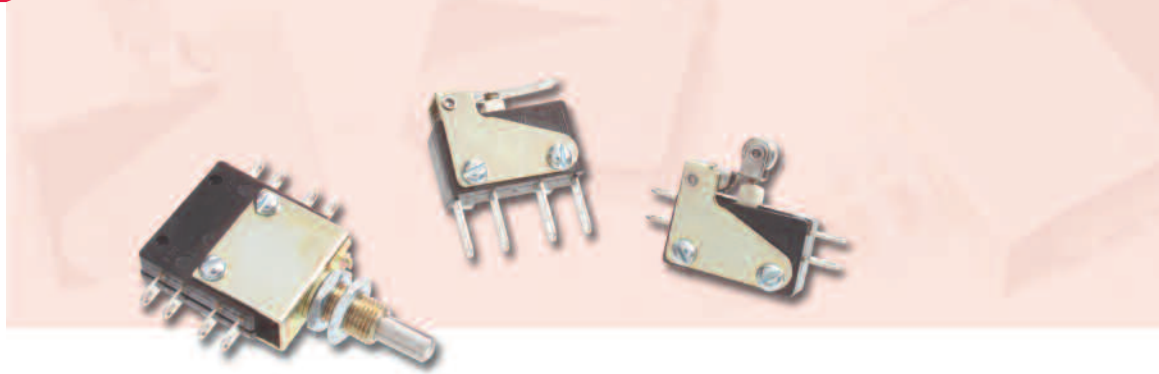
## MECHANICAL / ELECTRICAL CHARACTERISTICS:

- Pretravel:** 0.060 inches (Max)
- Overtravel:** 0.020 inches (Min)
- Operating Force:** 18 ± 5 oz
- Release Force:** 5 oz (Min)
- Movement Differential:** 0.025 inches ± .010
- Operating Point:** 0.396 inches ± .010 (from mounting hole centers)
- Circuit:** DPDT-DB (Form ZZ)
- Temperature Index:** -85°F to +275°F Ambient
- MIL-PRF-8805 QPL Listed:** 26-810 M8805/77-003
- Electrical Ratings:** See chart below

## Electrical rating, 26-810:

Load	Sea Level				70,000 Ft.	
	28 VDC DPDT	28 VDC 4 CKT	115 VAC 60 HZ DPDT	115 VAC 60 HZ 4 CKT	28 VDC DPDT	28 VDC 4 CKT
<b>Resistive</b>	8 amp	8 amp	6 amp	4 amp	8 amp	8 amp
<b>Inductive</b>	6 amp	4 amp	4 amp	4 amp	2 amp	1 amp
<b>Lamp</b>	0.5 amp	0.5 amp	2 amp	1 amp	—	—

### SERIES 26:



#### KEY FEATURES:

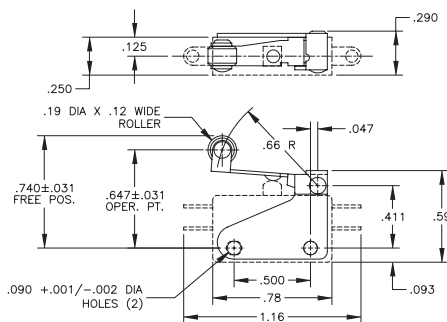
- Roller Lever
- Short Roller Lever
- Lever
- Bushing Mount

#### MECHANICAL CHARACTERISTICS:

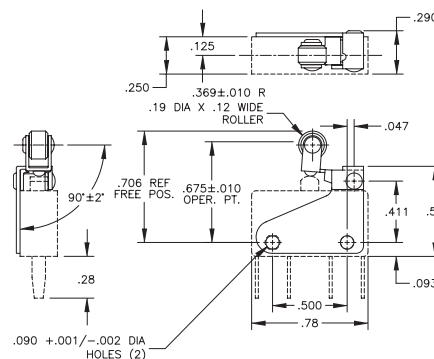
Part Number	Switch Series	Oper. Force	Release Force	Pretravel	Overtravel	Movement Diff.
<b>76-1200</b> Roller Lever	26	8 oz max	1.5 oz min	.130 max	.026 min	.054 ± .022
<b>76-1210</b> Lever	26	7 oz max	2 oz min	.155 max	.025 min	.065 max
<b>76-1220</b> Short Roller Lever	26	16 oz max	5 oz min	.050 max	.012 min	.010 ± .005
<b>76-22604</b> Bushing Mount	16	5 oz	—	.050 max	.156 min	—

Notes: (1) Characteristics may vary depending on type of basic switch used in assembly. (2) All actuators supplied with mounting hardware.

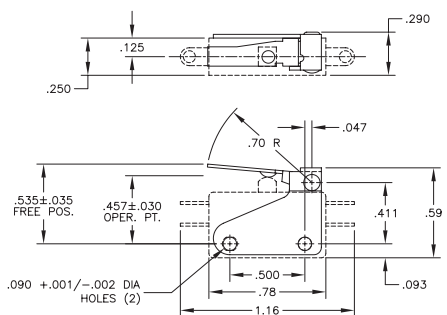
#### 76-1200



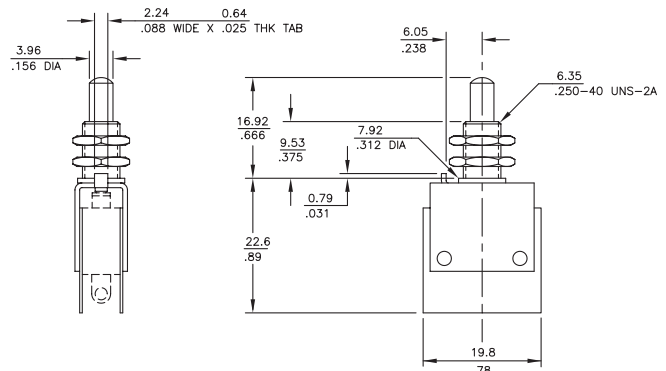
#### 76-1220



#### 76-1210



#### 76-22604



## X-ON Electronics

Largest Supplier of Electrical and Electronic Components

*Click to view similar products for [Basic / Snap Action Switches](#) category:*

*Click to view products by [ITW Switches](#) manufacturer:*

Other Similar products are found below :

[5SM901-S12](#) [5SM9-S12N195](#) [01.098.1358.1](#) [602EN532](#) [602EN535-RB](#) [602HE5-RB1](#) [604HE162](#) [604HE223-6B](#) [624HE17-RB](#) [6HM82](#)  
[6HM89](#) [6SE1](#) [6SX1-H58](#) [70500216](#) [70599106](#) [MBD5B1](#) [MBH2731](#) [73-316-0012](#) [EXD-AR20](#) [79211923](#) [79218589](#) [7AS12](#)  
[MIL30126AB6BBMD4A12XAU](#) [ML-1155](#) [ML-1376](#) [831010C3.0](#) [831090C2.EL](#) [83131904](#) [84212012](#) [8AS239](#) [8HM73-3](#) [8SX26-H33](#)  
[914CE1-6G](#) [PL-100](#) [11SM1077-H4](#) [11SM1077-H58](#) [11SM1-TN107](#) [11SM405](#) [11SM8423-H2](#) [11SX37-T](#) [11SX48-H58](#) [11SM2442-T](#)  
[11SM76-T](#) [11SM77-H58](#) [11SM77-T](#) [11SM863-T](#) [11SM866](#) [A7CN-1M-1-LEFT](#) [A831700C7.0](#) [121EN187-R](#)