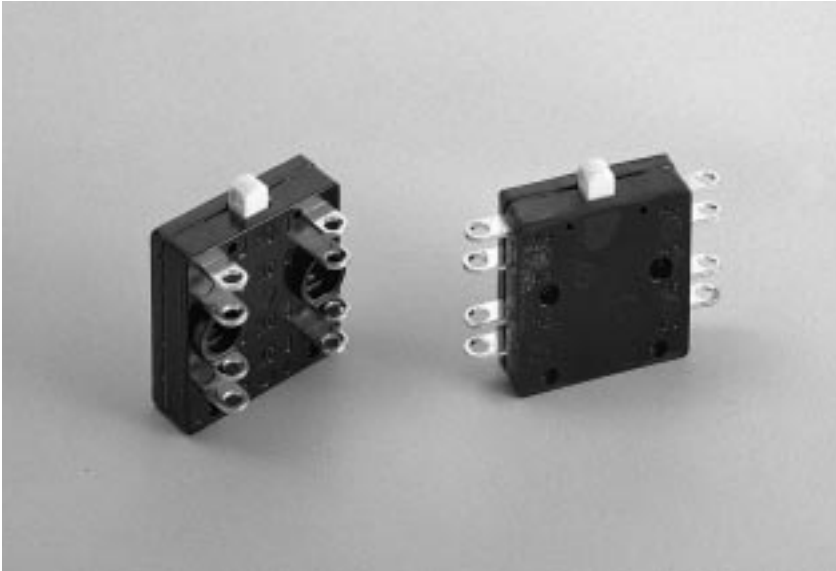


Type 26 – Sub-Miniature, 8-Amp, Double Pole/Simultaneous, Sub-Miniature

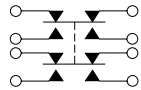


Typical Applications

- Basic switch for specialty switches
- Aircraft rotary actuators
- Aircraft valve actuators
- Circuit breakers
- Aircraft contactors



actual size



Form ZZ

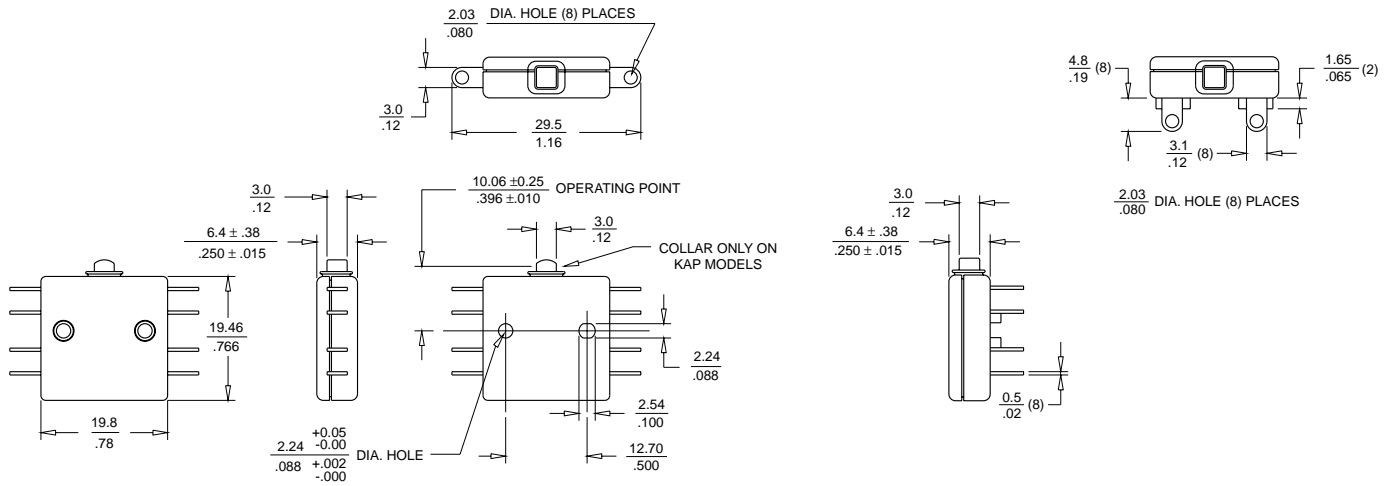
Features

- DPDT-DB (Form ZZ) contact arrangement
- Provides the option of controlling up to 4 isolated circuits
- May be wired externally to provide two commons to form standard DPDT (Form CC) switch
- Standard contacts are fine silver or gold-plated
- End or side solder terminals
- Variety of actuators available
- MIL-S-8805 QPL listed as follows:

26-888051	M8805/77-001
26-988051	M8805/77-002
- Approvals: UL, CSA

Mechanical Characteristics

- Pretravel: .050 max
- Overtravel: .012 min
- Operating Force: 12 ± 4 oz
- Release Force: 5 oz min
- Movement Differential: $.020 \pm_{.005}^{.010}$
- Operating Point: $.396 \pm .015$
(from mounting hole centers)



End Solder

Side Solder

millimeters
 inches

Ordering Information

Part Number	Temperature Index	Simultaneity	Contacts	Terminals
26-804	To 275° F Ambient	Simultaneous*	Silver**	End Solder
26-888051	To 275° F Ambient	Ref. M 8805/77-001	Gold-Plated	End Solder
26-904	To 275° F Ambient	Simultaneous*	Silver**	Side Solder
26-988051	To 275° F Ambient	Ref. M 8805/77-002	Gold-Plated	Side Solder

*Within .004" of plunger travel.

**For electrical loads under 250 mA, consult factory.

Electrical Ratings – 26

Circuitry	Current	Voltage
DPDT-DB	8 amps	125/250 VAC 75-80% PF
(Form ZZ)	5 amps	28 VDC

UL Recognized

X-ON Electronics

Largest Supplier of Electrical and Electronic Components

Click to view similar products for [Basic / Snap Action Switches](#) category:

Click to view products by [ITW Switches](#) manufacturer:

Other Similar products are found below :

[5SM901-S12](#) [5SM9-S12N195](#) [602EN532](#) [602EN535-RB](#) [602HE5-RB1](#) [604HE162](#) [604HE223-6B](#) [624HE17-RB](#) [6HM82](#) [6HM89](#) [6SE1](#)
[6SX1-H58](#) [70500216](#) [70599106](#) [MBD5B1](#) [MBH2731](#) [73-316-0012](#) [EXD-AR20](#) [79211923](#) [79218589](#) [7AS12](#)
[MIL30126AB6BBMD4A12XAU](#) [ML-1155](#) [ML-1376](#) [831010C3.0](#) [831090C2.EL](#) [83131904](#) [84212012](#) [8AS239](#) [8HM73-3](#) [8SX26-H33](#)
[914CE1-6G](#) [PL-100](#) [11SM1077-H4](#) [11SM1077-H58](#) [11SM1-TN107](#) [11SM405](#) [11SM8423-H2](#) [11SX37-T](#) [11SX48-H58](#) [11SM2442-T](#)
[11SM76-T](#) [11SM77-H58](#) [11SM77-T](#) [11SM863-T](#) [11SM866](#) [A7CN-1M-1-LEFT](#) [A831700C7.0](#) [121EN187-R](#) [121EN188-R](#)