

## Series 48M-EM

### 19MM PANEL SEALED METAL ELECTRO-MECHANICAL

Built on the proven series 48 platform these rugged switches come in stainless steel or chrome plated housings with either momentary or maintained action and lighted or unlighted versions. The variety of options in this compact package size make the 48M ideal for many applications



ACTUAL SIZE

### APPLICATIONS

- Outdoor Controls
- Security Equipment
- Medical Equipment
- Food Processing Equipment
- Military Equipment
- Industrial Machinery
- Transportation: Mass-Transit, Lift Trucks

### KEY FEATURES:

- Momentary or Maintained Action
- Stainless Steel Housing
- Center Spot or Ring Illumination
- Variety of LED colors
- Electro-Mechanical
- Panel Sealed to IP67
- ROHS Compliant
- Gold Plated Contact and Terminals

### ORDERING INFORMATION:

#### SWITCH FUNCTION:

1. MECHANICAL, MOMENTARY, SOLDER TERMINAL
2. MECHANICAL, MAINTAINED, SOLDER TERMINAL
5. MECHANICAL, MOMENTARY, PC TERMINAL
6. MECHANICAL, MAINTAINED, PC TERMINAL
- A. MECHANICAL, MOMENTARY, WIRE LEADS
- B. MECHANICAL, MAINTAINED, WIRE LEADS
9. SPECIAL, DIGITS ARE IN SERIAL ORDER

#### HOUSING MATERIAL:

1. STAINLESS STEEL
2. ZINC ALLOY CHROME PLATED

#### ILLUMINATION †:

0. NON-LIT
1. CENTER SPOT ILLUMINATION
2. RING ILLUMINATION
3. ILLUMINATED POWER SYMBOL

#### LED COLOR:

- N. NONE
- G. GREEN L.E.D.
- R. RED L.E.D.
- A. AMBER L.E.D.
- B. BLUE L.E.D.
- W. WHITE L.E.D.
- RB. RED/BLUE L.E.D.
- RG. RED/GREEN L.E.D.

#### VOLTAGE RESISTOR

- IF BLANK \*
- 05 5V FORWARD
- 12 12V FORWARD \*\*
- 24 24V FORWARD \*\*

48M- [ ] [ ] [ ] [ ] [ ]

† Lighted switches come with wires on LEDs to protect from solder heat.

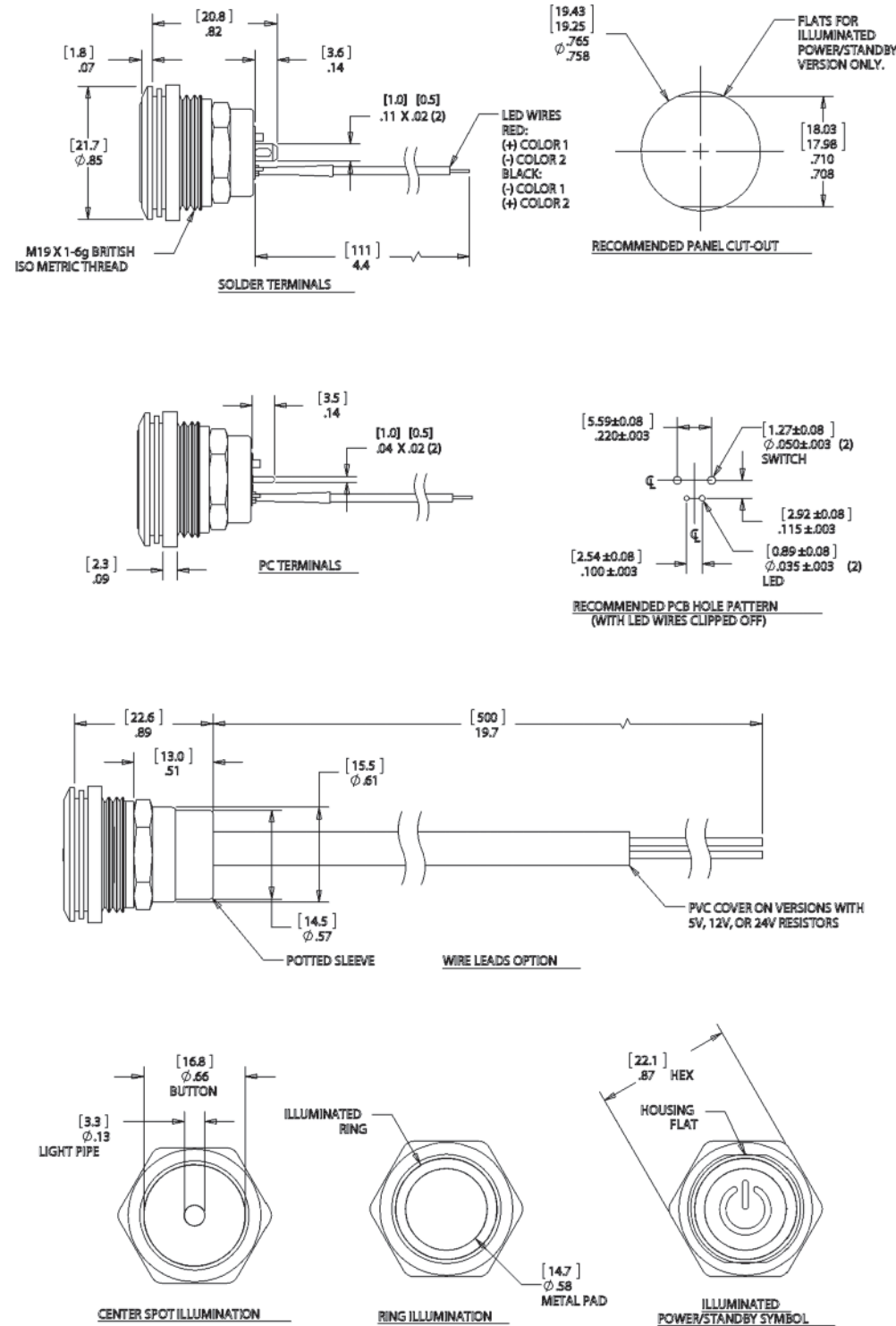
\* Current limiting resistor is required to limit LED forward current to 20 mA (not included).

\*\* 12 and 24 V resistors are available with wirelead versions only.

### STANDARDS / AGENCY / RATINGS:



## PRODUCT DRAWINGS



[MILLIMETERS]  
[INCHES]

## MECHANICAL CHARACTERISTICS

- CIRCUIT:** SPST-NO-DB (FORM X)
- BUTTON TRAVEL (NOM):** [2.3] .09
- OPERATING FORCE (NOM):** [3N] 306g
- CONTACT BOUNCE (NOM):** 1 ms
- PANEL THICKNESS:** [0.5 to 4.5] .02 to .18
- NUT TORQUE (MAX):** [11.5 kgf/cm] 10 lb/in
- HARDWARE:** BULK PACKAGED SEALING WASHER AND HEX NUT ARE INCLUDED.

## ENVIRONMENTAL SPECIFICATIONS

- ACTUATOR INGRESS PROTECTION:** IP67
- OPERATING TEMPERATURE:**  
 NON-LIT: [-40 C to +85 C]  
 -40 F to +185 F  
 ILLUMINATED: [-25 C to +85 C]  
 -13 F to +185 F

## ELECTRICAL SPECIFICATIONS

- CURRENT RATING (resistive):**  
 250mA @ 12VDC, 100K CYCLES  
 150mA @ 28VDC, 150K CYCLES (MOMENTARY)  
 100mA @ 48VDC, 100K CYCLES  
 10mA @ 12VDC, 1 MILLION CYCLES (MOMENTARY)
- DIELECTRIC STRENGTH:** 1,000 VAC
- INSULATION RESISTANCE:** 1G OHM
- CONTACT RESISTANCE:** 50m OHMS
- WIRE LEADS:** UL STYLE 1007  
26 AWG, STRANDED

## X-ON Electronics

Largest Supplier of Electrical and Electronic Components

*Click to view similar products for [Pushbutton Switches](#) category:*

*Click to view products by [ITW Switches](#) manufacturer:*

Other Similar products are found below :

[8940K2012](#) [LW1L-M1C10V-A](#) [LW1L-M1C70-A](#) [LW2L-A1C20M-GD](#) [LW2L-M1C20M-A](#) [60324L](#) [M22-D-R-GB0/K11](#) [M7E-HRN2](#)  
[67021K512](#) [67081K512X](#) [701PB580](#) [7190K101](#) [7199K101](#) [810K12910](#) [810KSV30B](#) [MML21EA2ADK](#) [MML21KA3ABK](#)  
[MML23KA3AC05K-001](#) [MML23KW3AA01W](#) [8418K2](#) [8442K3](#) [8450K1](#) [860K11911T01A](#) [861901](#) [861K11911T01A07](#)  
[861K13810T00A14](#) [861K13911](#) [8646AB6X718UL](#) [8646ABUL](#) [9001KXRK](#) [907AYY100](#) [PMHD155A1](#) [95-313.000](#)  
[9533CD4+U574+U4922](#) [95-414.000](#) [99-450.837](#) [99-453.837](#) [PV3H2B0NN-341](#) [1203MRA](#) [A22NZBGANGA](#) [A22NZBMMNGA](#)  
[A22NZBNANGA](#) [A22NZMPATRA](#) [A2PMA1X03EC56](#) [A3A-5123-02](#) [A3A-7140](#) [A3A-7310](#) [A3A-7340](#) [A3U-TMW-A2C-5M](#) [A595](#)