

Series 49-59W

FULLY SEALED PUSHBUTTON WITH WIRE LEADS

This fully sealed switch series is SPST-DB for a variety of circuit requirements. The double break mechanism also provides reliable switching of DC loads. This rugged switch is ideal for harsh environments.

APPLICATIONS

- Communications
- Instrumentation
- Data processing
- Military environments
- Mass transport controls
- Dry circuit switching

KEY FEATURES:

- Fully sealed to IP67
- Momentary action
- Wire leads
- Flame retardant UL rated material
- Gold plated contacts
- Life up to 500,000 cycles



ACTUAL SIZE

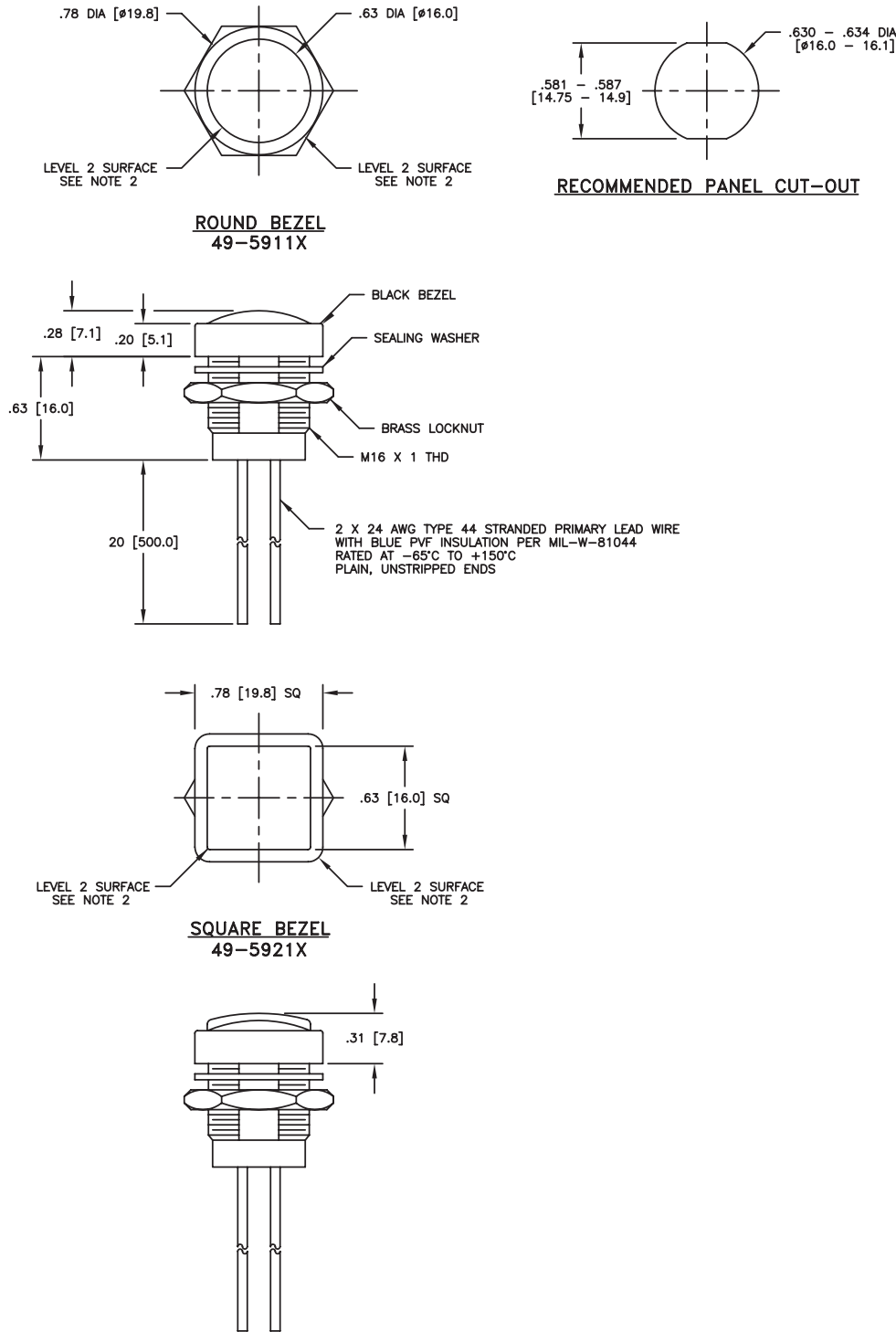
ORDERING INFORMATION:

Part Number	Button Style	Button Color
49-59111	Round bezel	Black
49-59112	Round bezel	Red
49-59113	Round bezel	Green
49-59211	Square bezel	Black
49-59212	Square bezel	Red
49-59213	Square bezel	Green

STANDARDS / AGENCY / RATINGS:



PRODUCT DRAWINGS



MECHANICAL / ELECTRICAL CHARACTERISTICS:

- Circuit:**
SPST-NO-DB
- Travel:**
0.09 inches / 2.3 mm (nominal)
- Operating force:**
3N / 306 grams
- Panel thickness:**
0.31 inches 8 mm (Max)
- Contact material:**
gold plated palladium nickel
- Contact resistance (initial):**
150 mΩ max including wire leads
- Current Rating (typical):**
400mA at 32 VAC resistive
100mA at 50 VDC resistive
125mA at 125 VAC resistive
- Dielectric strength:**
1000 VAC for 1 min
- Insulation resistance:**
1 GΩ @ 500 VDC
- Contact resistance:**
50 mΩ max initial including leads
- Life (nominal):**
1,000,000 cycles (mechanical)
500,000 (max) cycles (electrical)
- Operating temperature:**
-55°C to 105°C
(-67°F to +221°F)
- Body and button material:**
PBT

X-ON Electronics

Largest Supplier of Electrical and Electronic Components

Click to view similar products for [Pushbutton Switches](#) category:

Click to view products by [ITW Switches](#) manufacturer:

Other Similar products are found below :

[8940K2012](#) [LW1L-M1C10V-A](#) [LW1L-M1C70-A](#) [LW2L-A1C20M-GD](#) [LW2L-M1C20M-A](#) [60324L](#) [M22-D-R-GB0/K11](#) [M7E-HRN2](#)
[67021K512](#) [67081K512X](#) [701PB580](#) [7190K101](#) [7199K101](#) [810K12910](#) [810KSV30B](#) [MML21EA2ADK](#) [MML21KA3ABK](#)
[MML23KA3AC05K-001](#) [MML23KW3AA01W](#) [8418K2](#) [8442K3](#) [8450K1](#) [860K11911T01A](#) [861901](#) [861K11911T01A07](#)
[861K13810T00A14](#) [861K13911](#) [8646AB6X718UL](#) [8646ABUL](#) [9001KXRK](#) [907AYY100](#) [PMHD155A1](#) [95-313.000](#)
[9533CD4+U574+U4922](#) [95-414.000](#) [99-450.837](#) [99-453.837](#) [PV3H2B0NN-341](#) [1203MRA](#) [A22NZBGANGA](#) [A22NZBMMNGA](#)
[A22NZBNANGA](#) [A22NZMPATRA](#) [A2PMA1X03EC56](#) [A3A-5123-02](#) [A3A-7140](#) [A3A-7310](#) [A3A-7340](#) [A3U-TMW-A2C-5M](#) [A595](#)