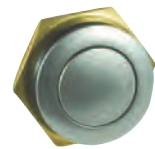


Series 57M-EM

16MM MINIATURE PANEL SEALED METAL

The 57M is a miniature switch designed for rugged environments. The housing is zinc alloy with velour chrome plating. It is available as maintained or momentary action, Electro-mechanical operation with Gold plated contacts and solder terminals. It is ideal for a multitude of applications.



ACTUAL SIZE

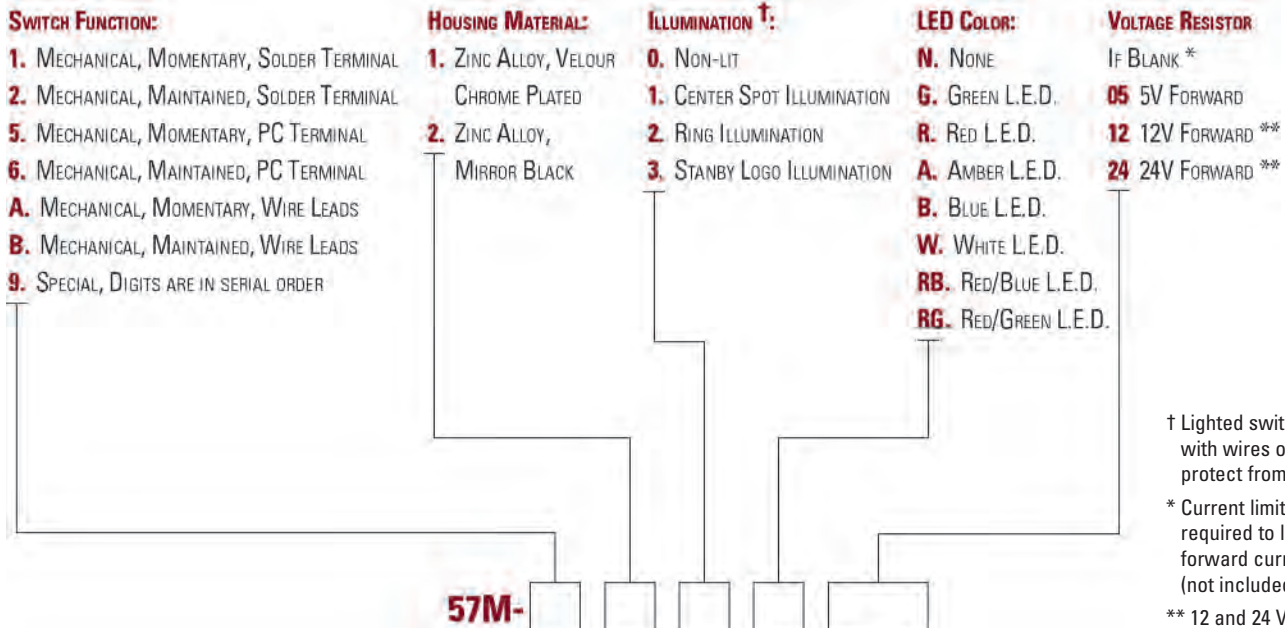
APPLICATIONS

- Security Equipment
- Industrial Control
- Medical Equipment
- Military Equipment
- Food Processing
- Transportation
- Computers

KEY FEATURES:

- Zinc Alloy/Velour Chrome Plated
- Center Spot LED and Non-Lighted Versions
- Maintained or Momentary Action
- Panel Sealed to IP67
- RoHS Compliant
- Electro-Mechanical
- Gold Plated Contacts and Terminals

ORDERING INFORMATION:

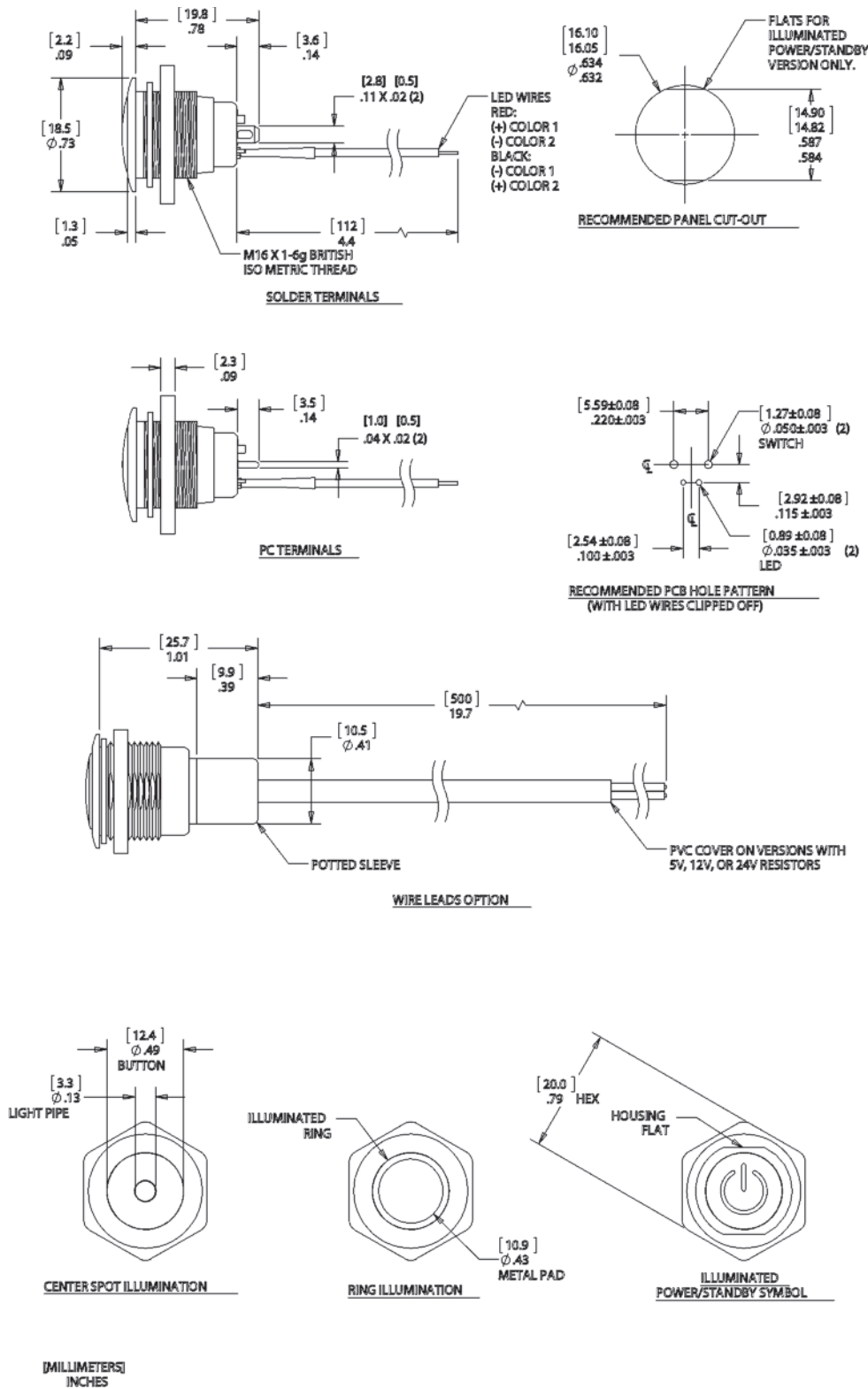


† Lighted switches come with wires on LEDs to protect from solder heat.
 * Current limiting resistor is required to limit LED forward current to 20 mA (not included).
 ** 12 and 24 V resistors are available with wirelead versions only.

STANDARDS / AGENCY / RATINGS:



PRODUCT DRAWINGS



MECHANICAL CHARACTERISTICS

CIRCUIT:
SPST-NO-DB (FORM X)

BUTTON TRAVEL (NOM):
[2.3] .09

OPERATING FORCE (NOM):
[3N] 306g

CONTACT BOUNCE (NOM):
1 ms

PANEL THICKNESS:
[0.0 to 6.0] .00 to .24

NUT TORQUE (MAX):
[11.5 kgf/cm] 10 lb/in

HARDWARE:

BULK PACKAGED SEALING WASHER AND HEX NUT ARE INCLUDED.

ENVIRONMENTAL SPECIFICATIONS

ACTUATOR INGRESS PROTECTION:
IP67

OPERATING TEMPERATURE:
NON-LIT: [-40 C to +85 C]
-40 F to +185 F
ILLUMINATED: [-25 C to +85 C]
-13 F to +185 F

ELECTRICAL SPECIFICATIONS

CURRENT RATING (resistive):
250mA @ 12VDC, 100K CYCLES
150mA @ 28VDC, 150K CYCLES (MOMENTARY)
100mA @ 48VDC, 100K CYCLES
10mA @ 12VDC, 1 MILLION CYCLES (MOMENTARY)

DIELECTRIC STRENGTH:
1,000 VAC

INSULATION RESISTANCE:
1G OHM

CONTACT RESISTANCE:
50m OHMS

WIRE LEADS:
UL STYLE 1007
26 AWG, STRANDED

X-ON Electronics

Largest Supplier of Electrical and Electronic Components

Click to view similar products for [Pushbutton Switches](#) category:

Click to view products by [ITW Switches](#) manufacturer:

Other Similar products are found below :

[8940K2012](#) [LW1L-M1C10V-A](#) [LW1L-M1C70-A](#) [LW2L-A1C20M-GD](#) [LW2L-M1C20M-A](#) [60324L](#) [M22-D-R-GB0/K11](#) [M7E-HRN2](#)
[67021K512](#) [67081K512X](#) [701PB580](#) [7190K101](#) [7199K101](#) [810K12910](#) [810KSV30B](#) [MML21EA2ADK](#) [MML21KA3ABK](#)
[MML23KA3AC05K-001](#) [MML23KW3AA01W](#) [8418K2](#) [8442K3](#) [8450K1](#) [860K11911T01A](#) [861901](#) [861K11911T01A07](#)
[861K13810T00A14](#) [861K13911](#) [8646AB6X718UL](#) [8646ABUL](#) [9001KXRK](#) [907AYY100](#) [PMHD155A1](#) [95-313.000](#)
[9533CD4+U574+U4922](#) [95-414.000](#) [99-450.837](#) [99-453.837](#) [PV3H2B0NN-341](#) [1203MRA](#) [A22NZBGANGA](#) [A22NZBMMNGA](#)
[A22NZBNANGA](#) [A22NZMPATRA](#) [A2PMA1X03EC56](#) [A3A-5123-02](#) [A3A-7140](#) [A3A-7310](#) [A3A-7340](#) [A3U-TMW-A2C-5M](#) [A595](#)