

Series KAP 26

SUB-MINIATURE 8 AMP DOUBLE POLE/SIMULTANEOUS SNAP ACTION SWITCHES

Similar to Series 26 with improved materials and performance. Ideal for critical applications where long life and reliability are needed.



APPLICATIONS

- Aircraft rotary actuators
- Aircraft valve actuators
- Circuit breakers
- Aircraft contractors
- Industrial machinery
- Medical equipment

KEY FEATURES:

- Enhanced gold contacts for high or low power applications
- Thermoplastic case sealed to prevent flux intrusion
- Meets MIL-PRF-8805/77
- End or side terminals available
- Roller lever, lever, short roller lever and bushing mount actuators are available

ACTUAL SIZE

ORDERING INFORMATION:

Switches

Part Number	Simultaneity	Contacts	Terminals
26-810	Simultaneous*	Enhanced Gold	End Solder

* Within .002" of plunger travel.

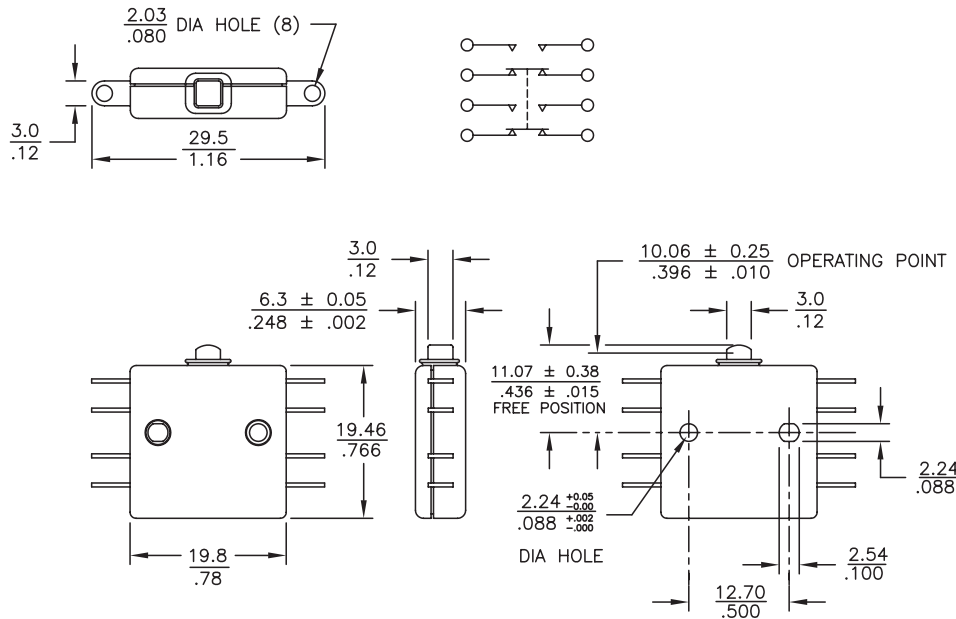
Actuator (see page 72 for additional specifications)

Part Number	Switch Series	Oper. Force	Release Force	Pretravel	Overtravel	Movement Diff.
76-1200 Roller Lever	26	8 oz max	1 1/2 oz min	.130 max	.026 min	.054 ± .022
76-1210 Lever	26	7 oz max	2 oz min	.155 max	.025 min	.065 max
76-1220 Short Roller Lever	26	16 oz max	5 oz min	.050 max	.012 min	.020 ± .010 - .005

STANDARDS / AGENCY / RATINGS:



END TERMINATION



MECHANICAL / ELECTRICAL CHARACTERISTICS:

- Pretravel:**
0.060 inches (Max)
- Overtravel:**
0.020 inches (Min)
- Operating Force:**
18 ± 5 oz
- Release Force:**
5 oz (Min)
- Movement Differential:**
0.025 inches ± .010
- Operating Point:**
0.396 inches ± .010
(from mounting hole centers)
- Circuit:**
DPDT-DB (Form ZZ)
- Temperature Index:**
-85°F to +275°F Ambient
- MIL-PRF-8805 QPL Listed:**
26-810 M8805/77-003
- Electrical Ratings:**
See chart to the left

Electrical rating, 26-810:

Load	Sea Level				70,000 Ft.	
	28 VDC DPDT	28 VDC 4 CKT	115 VAC 60 HZ DPDT	115 VAC 60 HZ 4 CKT	28 VDC DPDT	28 VDC 4 CKT
Resistive	8 amp	8 amp	6 amp	4 amp	8 amp	8 amp
Inductive	6 amp	4 amp	4 amp	4 amp	2 amp	1 amp
Lamp	0.5 amp	0.5 amp	2 amp	1 amp	—	—

SEE PAGE 60 & 62
FOR SWITCHES

Series 26 Actuators



KEY FEATURES:

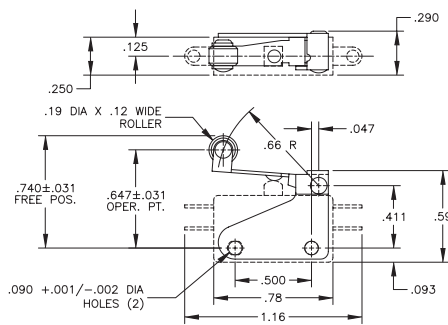
- Roller Lever
- Short Roller Lever
- Lever
- Bushing Mount

MECHANICAL CHARACTERISTICS:

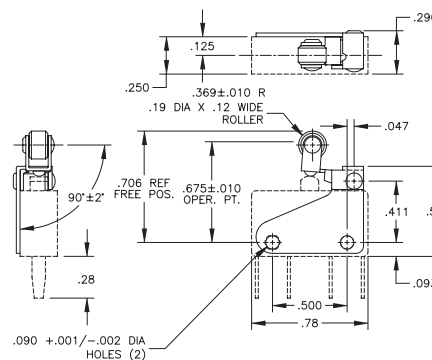
Part Number	Switch Series	Oper. Force	Release Force	Pretravel	Overtravel	Movement Diff.
76-1200 Roller Lever	26	8 oz max	1.5 oz min	.130 max	.026 min	.054 ± .022
76-1210 Lever	26	7 oz max	2 oz min	.155 max	.025 min	.065 max
76-1220 Short Roller Lever	26	16 oz max	5 oz min	.050 max	.012 min	.010 ± .005
76-22604 Bushing Mount	16	5 oz	—	.050 max	.156 min	—

Notes: (1) Characteristics may vary depending on type of basic switch used in assembly. (2) All actuators supplied with mounting hardware.

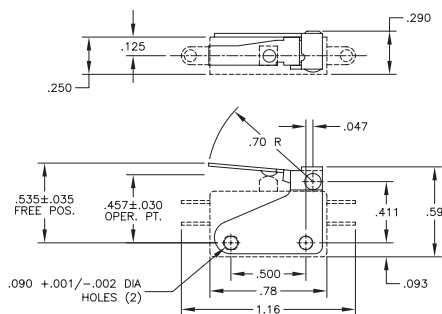
76-1200



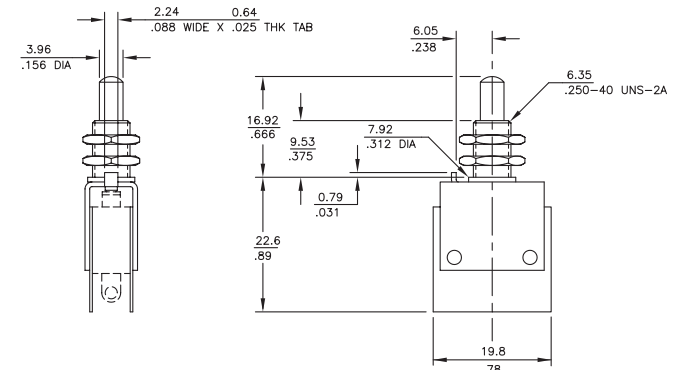
76-1220



76-1210



76-22604



X-ON Electronics

Largest Supplier of Electrical and Electronic Components

Click to view similar products for [Switch Actuators](#) category:

Click to view products by [ITW Switches](#) manufacturer:

Other Similar products are found below :

[LW1B-A0L](#) [LW1B-M0](#) [680-4000-00](#) [704.012.618](#) [704.411.018I](#) [704.412.0](#) [704.633.1](#) [704.730.1](#) [704.733.0](#) [84-1221.7](#) [862.8102](#) [G6083](#)
[9PA24](#) [A0107X](#) [A019307](#) [ADC-418G](#) [12MA7](#) [ASDHYY-B](#) [HW1F-3G](#) [HW1M-L2222](#) [HW4S-31L](#) [200-.704-00](#) [JS-10008](#) [JS-10083](#) [JS-10118](#) [JS-10133](#) [JS-10277](#) [JS-10389](#) [JS-150](#) [JS-552](#) [JS-555](#) [JS-68](#) [JS-6-B](#) [JS-91](#) [JS-94](#) [22-211.011](#) [9001KXSDC](#) [92-458.500](#) [SAPT654133](#)
[2PA3](#) [SW53AA2](#) [302561](#) [LW2L-A0](#) [3E-12.0](#) [468-10243-001](#) [51-030.005](#) [JM-13](#) [JS-10120](#) [JS-138-B](#) [JS-143-B](#)