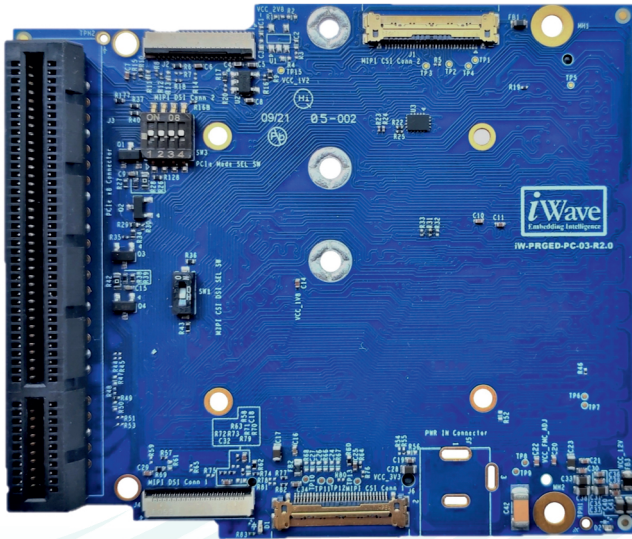


PCIe Gen3/Gen2/Gen1 x8 FMC Module



iWave's PCIe Gen3 FMC Add-On Card is compatible with off-the-shelf FPGA development Kits offers from iWave.

This FPGA Mezzanine Connector (FMC) card support upto 8 lanes for PCI Express Root Complex and End Point interface. Also end users can evaluate MIPI CSI-2, MIPI DSI 1.3 & SATA 3.0 interfaces.

HIGHLIGHTS

VITA 57.1 FMC HPC Connector

PCIe Express Gen3/Gen2/Gen1 x8 Root Port

PCIe Express Gen3/Gen2/Gen1 x8 Endpoint through Cable

PCIe Express Gen3/Gen2/Gen1 x2 and SATA interface

MIPI DSI & CSI Connector through LVDS IOs

32Kb EEPROM

SPECIFICATIONS

On Module Features

FMC Connector

VITA 57.1 FMC HPC Connector

PCIe Gen3 x8 Slot

PCIe Express Gen3/Gen2/Gen1 x8 Root Port

PCIe Express Gen3/Gen2/Gen1 x8 Endpoint through Cable

M.2 Key M Slot

PCIe Express Gen3/Gen2/Gen1 x2 Interface

SATA 3.0 Interface

MIPI CSI Connector

4Lane MIPI Interface

MIPI DSI Connector

4Lane MIPI Interface

EEPROM

32Kb EEPROM for VITA57.1 Configuration storage

Power

12V, 3.3V from FMC HPC Connector

Form Factor

VITA 57.1 Signle Width (80mm x 69mm)

Compliance

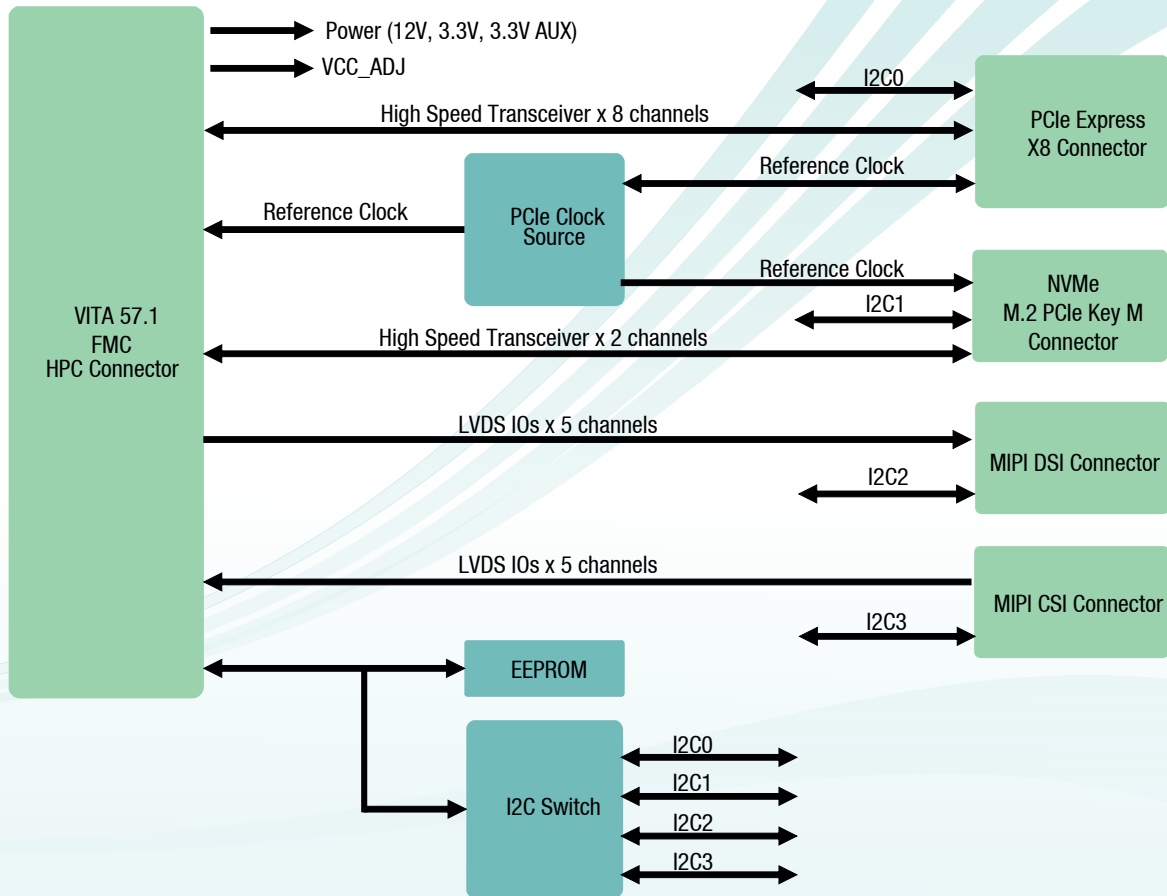
RoHS Compliant

REACH Compliant

CE*

* Under Progress

FMC (Vita57.1) PCIe Module Block Diagram



Note:

- Supports PCIe x8 Root Port and End Point
- PCIe End point can be supported through external PCIe x8 edge to PCIe x8 edge cross over cable.

iWave Systems Technologies is an ISO 9001:2015 certified company, head quartered in Bangalore India established in the year 1999. The company focuses on providing embedded solution and services for Industrial, Medical, Automotive and various other Embedded Computing applications. iWave Systems offers wide range of System On Modules and Single Board Computers built using wide range of CPU and FPGA SoC platforms with different form factors such as Qseven, SMARC, SODIMM and HPC by closely working with Tier-1 silicon companies such as NXP, Xilinx, Intel etc.

iWave Systems offers various state of art ready ODM solutions such as Connected Telematic Control Unit / OBD II devices for the automotive edge analytics, Comprehensive ARINC818 solutions for the low latency Aerospace applications and Rugged IP rated performance scalable HMI solutions for Industrial applications.

iWave Systems also provides comprehensive Engineering design services involving Embedded Hardware, FPGA and Software development. iWave offers carrier board and custom hardware development with manufacturing and certification services. iWave's Hardware expertise spans complex board design up to 30 layers; Analog, Digital & RF Designs; FPGA Development up to 3+ million gates and VHDL / Verilog RTL Development & Verification. Our Software expertise ranges from OS Porting, Firmware & Device Drivers Development and Wireless & Protocol

*Optional items not included in the standard deliverables.

Note: iWave reserves the right to change these specifications without notice as part of iWave's continuous effort to meet the best in breed specification. The registered trademarks are proprietary of their respective owners.

PCIe Gen3/Gen2/Gen1 x8 FMC Module

The device can be ordered online from the iWave Website
<https://www.iwavesystems.com/product/pcie-gen3-fmc-module/>
 Or from our Local Partners in your region
<http://www.iwavesystems.com/about-us/business-partner.html>

iWave Systems Tech. Pvt. Ltd.,

7/B, 29th Main, BTM Layout 2nd Stage,
 Bangalore-560076, India.
 Ph: +91-80-26683700, 26786245
 Email: mktg@iwavesystems.com
www.iwavesystems.com

iWave Japan, Inc.

8F-B, Kannai Sumiyoshi Building,
 3-29, Sumiyoshi-cho, Naka-ku,
 Yokohama, Kanagawa, Japan.
 Ph: +81-45-227-7626
 Email: info@iwavejapan.co.jp
www.iwavejapan.co.jp

iWave Europe

Venkelbaan 55 2908KE
 Capelle aan den IJssel
 The Netherlands
 Ph: +31 10 28403383
 Email: info@iwavesystems.eu

iWave US

1692 Westmont Ave.,
 Campbell,
 CA95008 USA
 Ph: 408-206-5958
 Email: info@iwavesystems.us

X-ON Electronics

Largest Supplier of Electrical and Electronic Components

Click to view similar products for [Interface Modules](#) category:

Click to view products by [iWave](#) manufacturer:

Other Similar products are found below :

[FAB118](#) [ATX6022/14GP7](#) [ATX6022/8](#) [9441560000](#) [73-546-001](#) [60016-023](#) [PCE-DP10-00A1E](#) [60016-002](#) [60006-004](#) [SNAP-PAC-SB2](#)
[60011-093](#) [ADAM-4541-C](#) [ADAM-4510S-F](#) [USB-CARD-READER](#) [USB-RS485](#) [USB-SATA](#) [RSM232D](#) [TD502D232H](#) [RS232 TO RS485](#)
[TD302D232H](#) [TD501D232H](#) [RSM232](#) [RSM232D](#) [TD301D232H](#) [TD302D232H](#) [TD502D232H](#) [20270](#) [60567](#) [30255](#) [50260](#) [20295](#) [40961](#)
[20277](#) [50261](#) [ZHB5105J](#) [EUR0001H](#) [ZHB2301G](#) [50985](#) [USO9ML4](#) [TTL/CAN-USB](#) [4000-68000-4170000](#) [4000-68000-0220000](#) [4000-](#)
[68512-0940003](#) [4000-68000-0090000](#) [6ES73317KF020AB0](#) [6ES71556AA010BN0](#) [6ES71936AR000AA0](#) [GPS50M](#) [FAB8020785](#) [1020882](#)