

iW-RainboW-G30M
ZU7/5/4 Zynq UltraScale+ MPSoC / FPGA SOM FAN SINK
ORDERING PART NUMBER: iW-FSKALU-CLASLR-CU02

RELEASE HISTORY			
REL	CHANGES	DATE	BY
1.0	INITIAL RELEASE	17 JUL. 2020	IQBAL

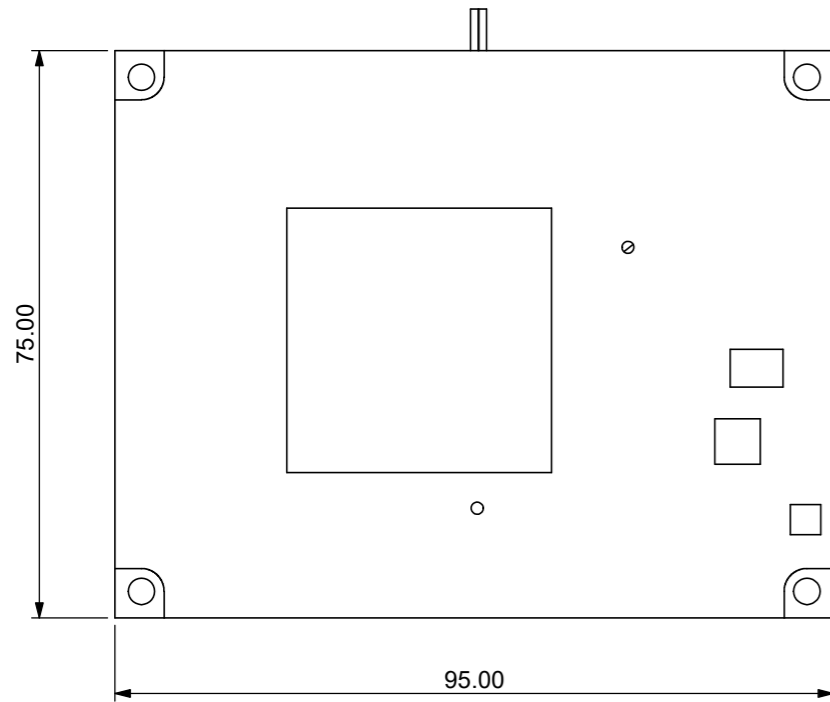


Fig 1.1

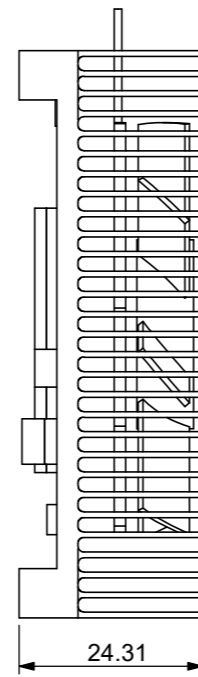


Fig 1.2

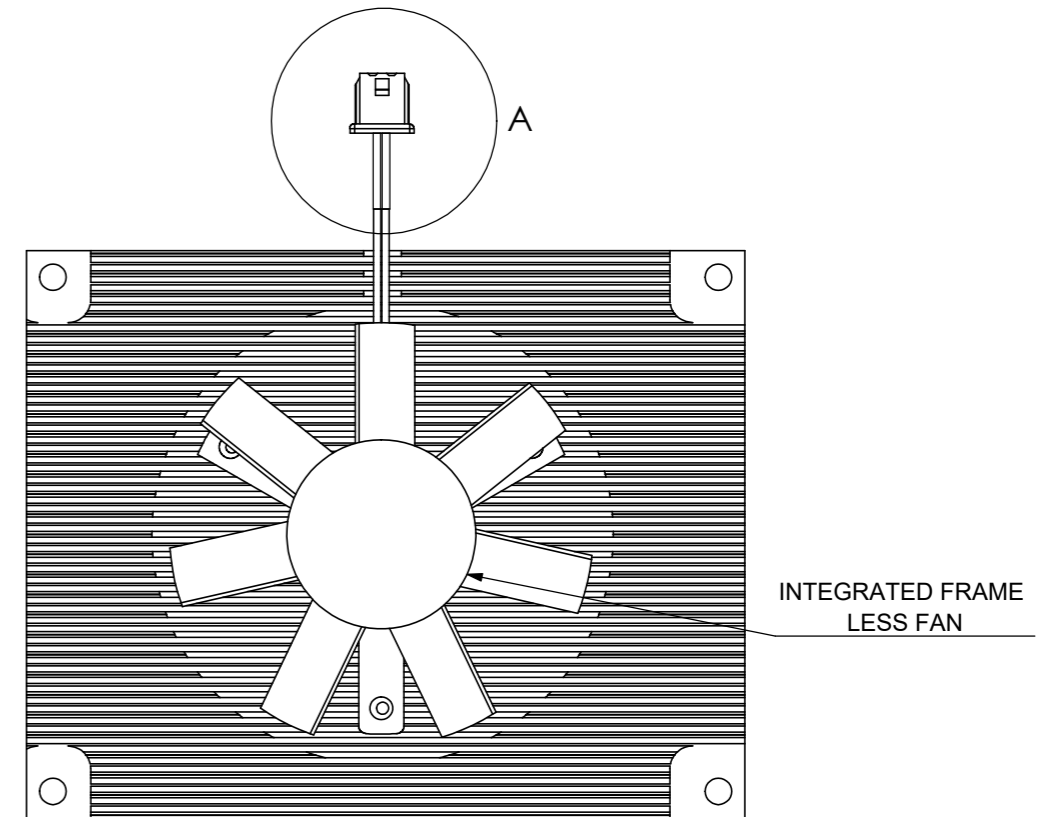


Fig 1.3

DETAIL A
 SCALE 4 : 1

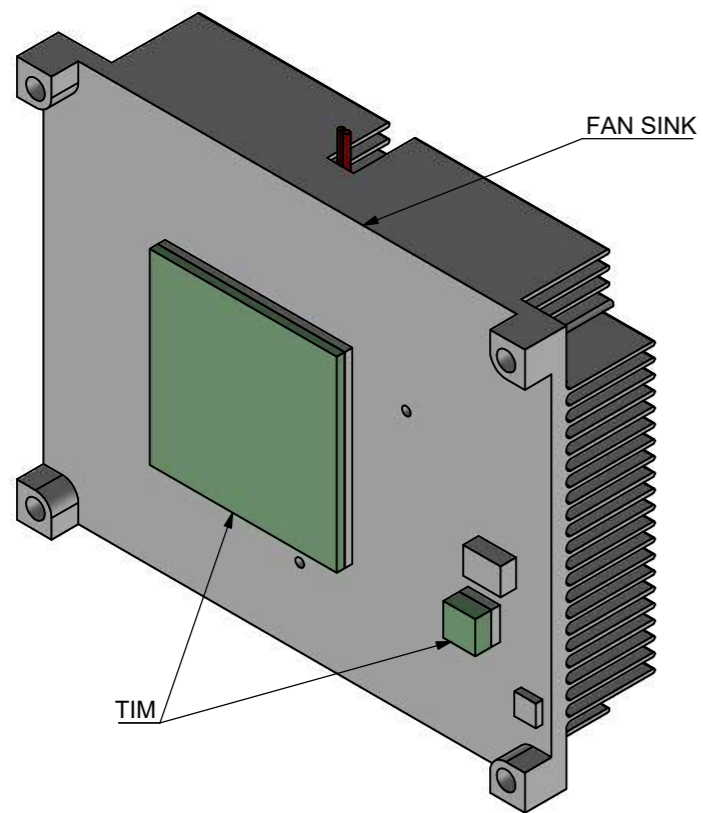


Fig 1.4

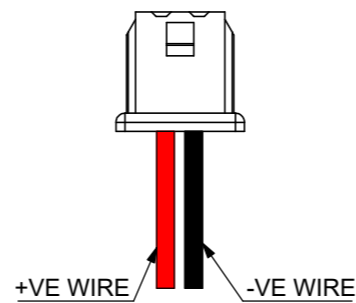


Fig 1.6

TABLE 1.1: FAN SPECIFICATIONS	
PART NO.	T056010BHZC0U3aR
DIMENSIONS	60X60X10.5mm
AIR FLOW	18.14CFM 0.51m3/min
STATIC PRESSURE	3.00mmH2O
RATED VOLTAGE	5V
LIFE EXPECTANCY	50,000hours at 40°C (WITH 15~65% RH)
ROHS	YES
CONNECTOR PART NO.	510210200
CABLE LENGTH	150mm

TABLE 1.2: TIM SPECIFICATIONS	
MATERIAL	SILICONE RUBBER BASED THERMAL PAD
THERMAL CONDUCTIVITY	12.5W/mK
FLAME RATING	V-0 AS PER UL 94
HARDNESS	50 Shore 00
WORKING TEMP.	-50~+150 °C
ROHS	YES

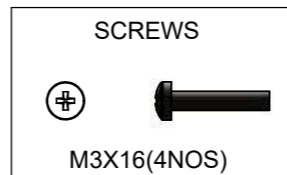


Fig 1.5

NOTES:
 ALL DIMENSIONS ARE IN mm.
 SCALE: 1:1

DRAWN BY	IQBAL
CHECKED BY	GANGADHAR
APPROVED BY	PRADAP
THIS DRAWING SHEET IS PROPRIETARY OF IWAVE SYSTEMS TECHNOLOGIES Pvt. Ltd.	
GENERAL TOLERANCES :	
X:	± 0.25
.X:	± 0.1
.XX:	± 0.01



iWave System Technologies Private Limited,
 7/B, 29th Main, BTM Layout, 2nd Stage,
 Bangalore-560076, India.

DRAWING NO: **iW-FSKALU-CLASLR-CU02-DS**

MATERIAL : AL 6063-T5 ALLOY WEIGHT: 142 g

FINISH : CLEAR ANODIZED

TITLE: **G30M-FPGA SOM FAN SINK DATA SHEET**

REV: 2.0 REL: 1.0

DATE : 17 JUL. 2020

SHEET 1 OF 1

X-ON Electronics

Largest Supplier of Electrical and Electronic Components

Click to view similar products for [CPU & Chip Coolers](#) category:

Click to view products by [iWave](#) manufacturer:

Other Similar products are found below :

[1970004886N001](#) [SMX8-Plus/CSP-B](#) [1960048820N001](#) [BXSTS200PNRW 915971](#) [1960048819N001](#) [AmITX-BT TM-FAN-ETT](#)
[1960049408N001](#) [CF-775A-RS](#) [1960053207N001](#) [1750001660](#) [MC30101V1-Q020-S99-PK](#) [CF-520-RS-R11](#) [EP-FNUPACTCLRDC](#)
[5078C111200E](#) [AP0412MX-J70-LF](#) [AP3505HX-J70-LF](#) [AP3512HX-J70-LF](#) [AP3512HX-J70\(TX\)](#) [AP4512MX-G90-LF](#) [conga-PA5/i-CSP-T](#)
[conga-JC370/CSA-B](#) [conga-JC370/CSA-T](#) [conga-PA7/i-CSP-T](#) [conga-TCA7/i-CSP-T](#) [FHS-K8020S00](#) [SK 570 25 SA](#) [CF-1150SC-R20](#) [CF-](#)
[115XE-R10](#) [BXSTS200P 915972](#) [iW-FSKALU-CLASLR-CU02](#) [38025-0000-99-0C06](#) [36099-0000-99-0](#) [38025-0000-99-0C05](#) [MODULED](#)
[MICRO 8680-B](#) [1237881](#) [114992082](#) [SK 570 10 SA](#) [SM320-21001Y](#) [SM421-21002Y](#) [RAPID-100-2](#) [RAPID-135-6](#) [RAPID-L120](#) [RAPID-](#)
[L240](#)