

**iW-RainboW-G35M**  
**ZU19/17/11 Zynq Ultrascale+ MPSoC FPGA SOM Fan Sink**  
**ORDERING PART NUMBER: iW-FSKALU-CLASLR-CU03**

RELEASE HISTORY			
REL	CHANGES	DATE	BY
1.0	INITIAL RELEASE	06 JUL. 2020	IQBAL

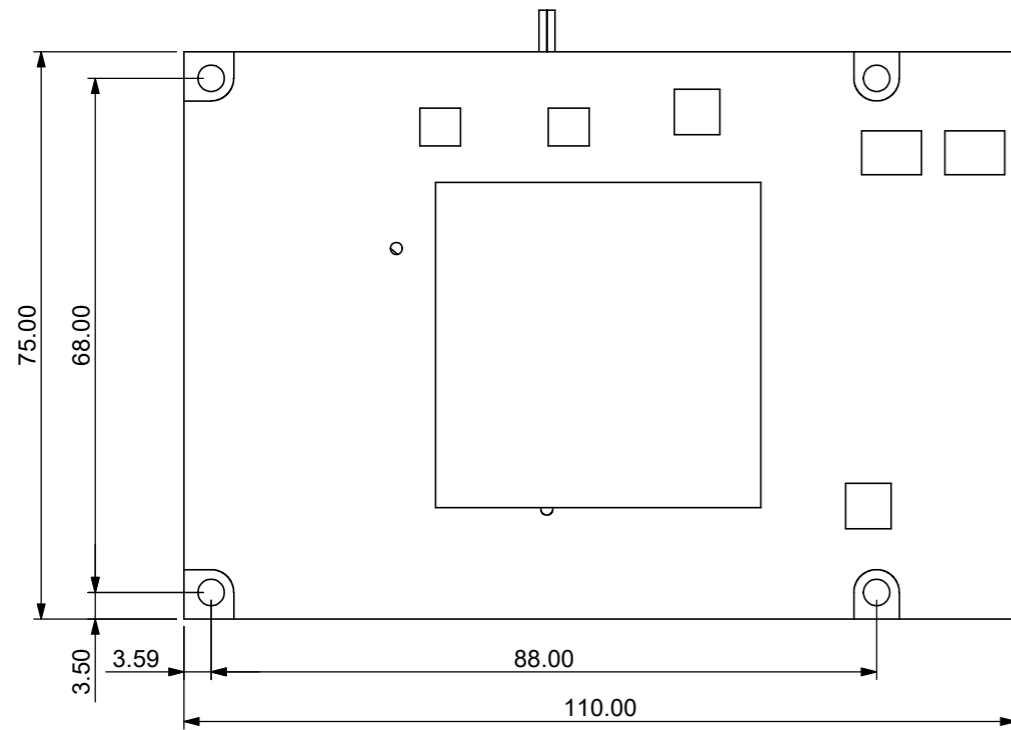


Fig 1.1

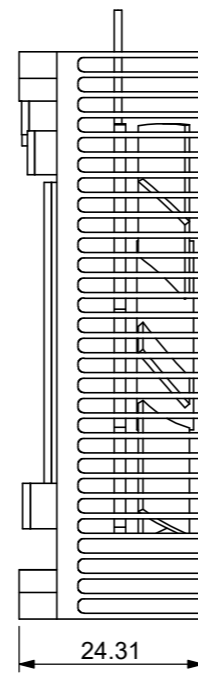


Fig 1.2

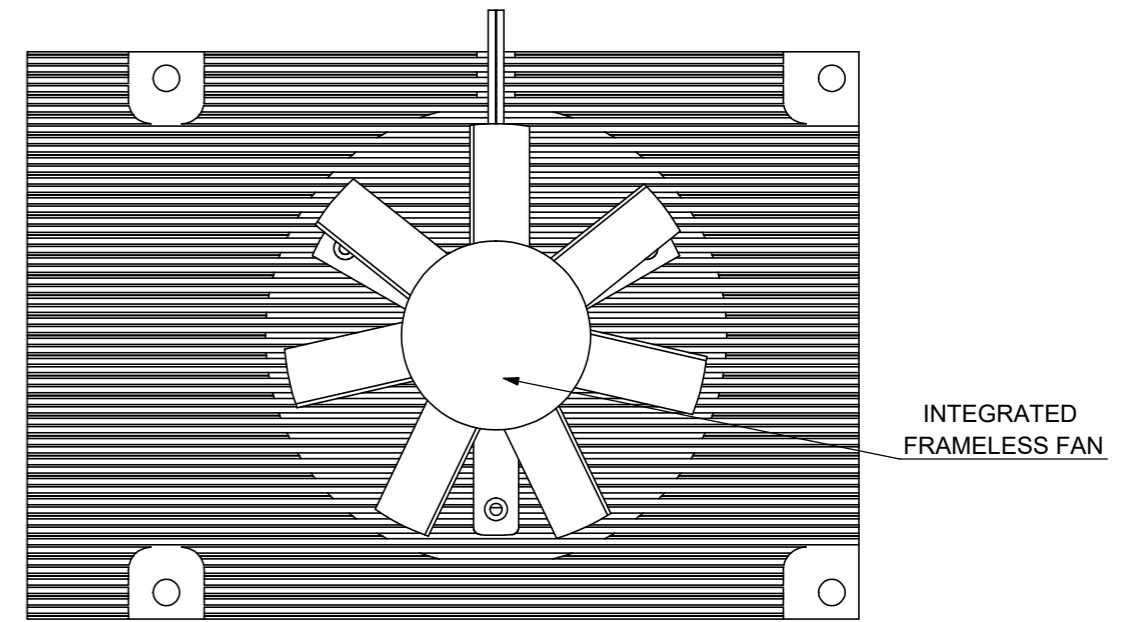


Fig 1.3

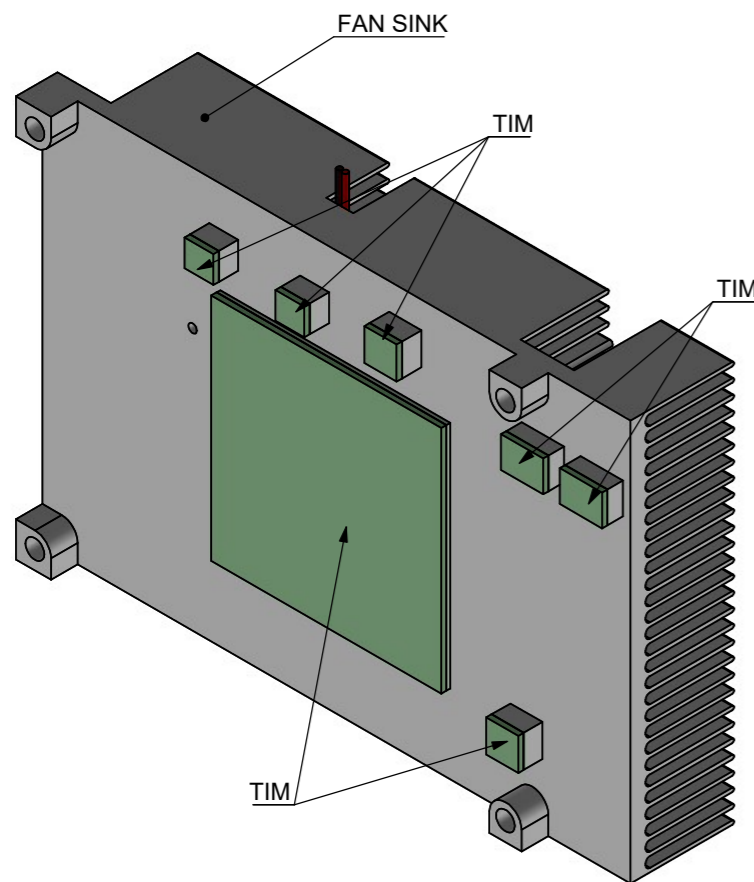


Fig 1.4

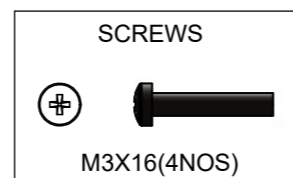


Fig 1.5

NOTES:  
 ALL DIMENSIONS ARE IN mm.  
 SCALE: 1:1

TABLE 1.1: FAN SPECIFICATIONS	
PART NO.	T056010BHZC0U3aR
DIMENSIONS	60X60X10.5mm
AIR FLOW	18.14CFM 0.51m3/min
STATIC PRESSURE	3.00mmH2O
RATED VOLTAGE	5V
LIFE EXPECTANCY	50,000hours at 40°C (WITH 15~65% RH)
ROHS	YES

TABLE 1.2: TIM SPECIFICATIONS	
MATERIAL	SILICONE RUBBER (BASE MATERIAL)
THERMAL CONDUCTIVITY	12.5W/mK
FLAME RATING	UL 94 V-0
HARDNESS	50 Shore 00
WORKING TEMP.	-50~+150 °C
ROHS	YES

DRAWN BY	IQBAL	<p><b>iWave System Technologies Private Limited,</b>                  7/B, 29th Main, BTM Layout, 2nd Stage,                  Bangalore-560076, India.</p>
CHECKED BY	GANGADHAR	
APPROVED BY	PRADAP	
THIS DRAWING SHEET IS PROPRIETARY OF IWAVE SYSTEMS TECHNOLOGIES Pvt. Ltd.		DRAWING NO: <b>iW-FSKALU-CLASLR-CU03-DS</b>
GENERAL TOLERANCES :		MATERIAL : AL 6063-T5 ALLOY
X: ± 0.25		WEIGHT: 172 g
.X: ± 0.1		FINISH : CLEAR ANODIZED
.XX: ± 0.01		TITLE: <b>G35M-FPGA SOM FAN SINK DATA SHEET</b>
		REV: 1.0
		REL: 1.0
		DATE : 06 JUL. 2020
		SHEET 1 OF 1

## X-ON Electronics

Largest Supplier of Electrical and Electronic Components

*Click to view similar products for [CPU & Chip Coolers](#) category:*

*Click to view products by [iWave](#) manufacturer:*

Other Similar products are found below :

[1970004886N001](#) [SMX8-Plus/CSP-B](#) [1960048820N001](#) [BXSTS200PNRW 915971](#) [1960048819N001](#) [AmITX-BT TM-FAN-ETT](#)  
[1960049408N001](#) [CF-775A-RS](#) [1960053207N001](#) [1750001660](#) [MC30101V1-Q020-S99-PK](#) [CF-520-RS-R11](#) [EP-FNUPACTCLRDC](#)  
[5078C111200E](#) [AP0412MX-J70-LF](#) [AP3505HX-J70-LF](#) [AP3512HX-J70-LF](#) [AP3512HX-J70\(TX\)](#) [AP4512MX-G90-LF](#) [conga-PA5/i-CSP-T](#)  
[conga-JC370/CSA-B](#) [conga-JC370/CSA-T](#) [conga-PA7/i-CSP-T](#) [conga-TCA7/i-CSP-T](#) [FHS-K8020S00](#) [SK 570 25 SA](#) [CF-1150SC-R20](#) [CF-](#)  
[115XE-R10](#) [BXSTS200P 915972](#) [iW-FSKALU-CLASLR-CU02](#) [38025-0000-99-0C06](#) [36099-0000-99-0](#) [38025-0000-99-0C05](#) [MODULED](#)  
[MICRO 8680-B](#) [1237881](#) [114992082](#) [SK 570 10 SA](#) [SM320-21001Y](#) [SM421-21002Y](#) [RAPID-100-2](#) [RAPID-135-6](#) [RAPID-L120](#) [RAPID-](#)  
[L240](#)