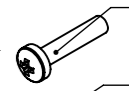

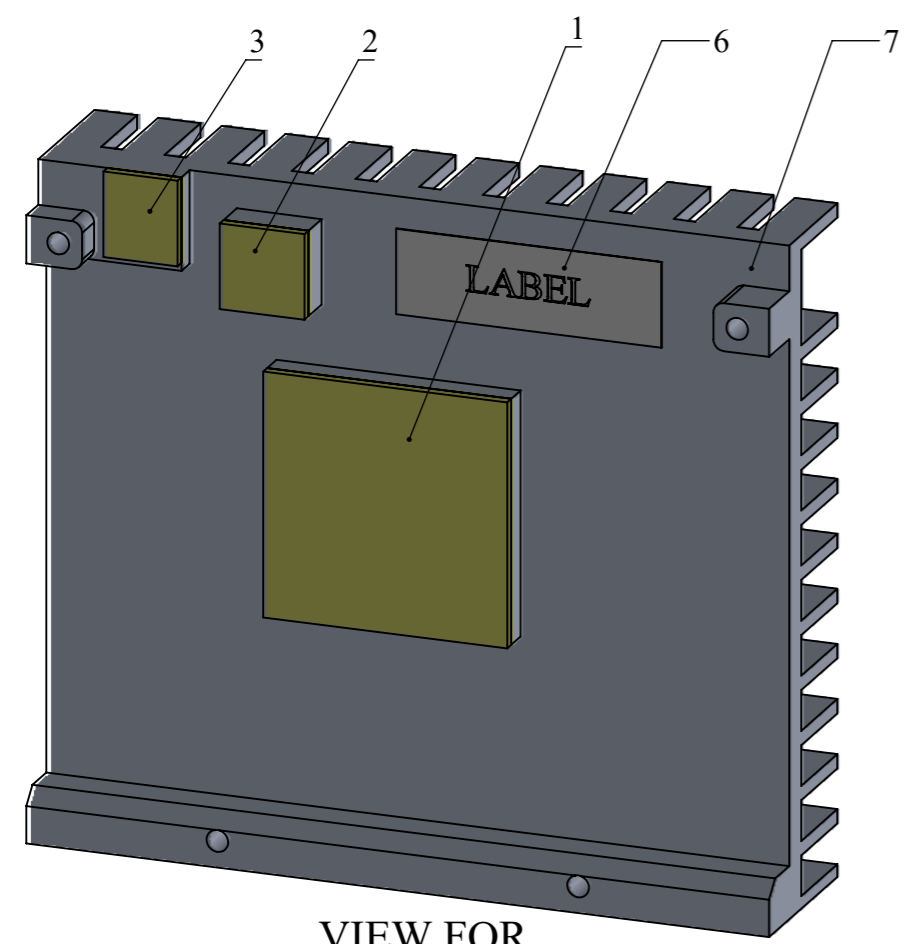

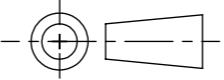


- SCREW BAG**
- 4x- M2.5x12 SCREW 
  - 4x- M2.5 NUT 



VIEW FOR REFERENCE.

ITEM NO.	PART NUMBER	DESCRIPTION	QTY.
1	TIM-23mm x 23mm	THERMAL PAD	1
2	TIM-8mm x 8mm	THERMAL PAD	1
3	TIM-8mm x 7mm	THERMAL PAD	1
4	M2.5x12 X REC PAN HEAD SCREW	SCREW	4
5	M2.5 NUT	HEX NUT	4
6	LABEL	LABEL	1
7	iw-PRDVZ-MP-02-R5.1-RELx.x-HS0xx	Q7 HEAT SINK	1

DRAWN BY	ADARSHA	 <b>iWave</b> Embedding Intelligence	iWave System Technologies Private Limited, 7/B, 29th Main, BTM Layout, 2nd Stage, Bangalore-560076, India.	
CHECKED BY	ADARSHA		DRAWING NO: iw-HSKALU-CLASLR-Q7xx	
APPROVED BY	PRADAP	MATERIAL : AS PER LIST		WEIGHT: 66.10 In grams.
THIS DRAWING SHEET IS PROPERITORY OF IWAVE SYSTEMS TECHNOLOGIES Pvt. Ltd.		FINISH : ----		SUR AREA:---- In sqr.mm
GENARALTOLERANCES : X: ± 0.25 .X: ± 0.1 .XX: ± 0.01		TITLE: HEAT SINK-Q7 SOM DATE : 14/11/2017		REV: 5.1 REL: 2.0
NOTES: ALL DIMENSIONS ARE IN MM. ROUND OFF ALL SHARP EDGES. SCALE: --				SHEET 1 OF 2

**AVAILABLE HEAT SINK PART NUMBERS**

SL NO	PRODUCT PART NO	DESCRIPTION	THERMAL GAP PAD	REMARKS
1	iW-HSKALU-CLASLR-Q705	RENESAS Q7 SOM HEAT SINK	0.5 mm, Si ELASTOMER	
2	iW-HSKALU-CLASLR-Q704	LIDDED & PMIC i.MX6 Q7 SOM HEAT SINK	1.0 mm, Si ELASTOMER	
3	iW-HSKALU-CLASLR-Q703	NON-LIDDED & PMIC i.MX6 Q7 SOM HEAT SINK	1.5 mm, Si ELASTOMER	
4	iW-HSKALU-CLASLR-Q702	LIDDED & NON-PMIC i.MX6 Q7 SOM HEAT SINK	1.0 mm, Si ELASTOMER	
5	iW-HSKALU-CLASLR-Q701	NON-LIDDED & NON PMIC i.MX6 Q7 SOM HEAT SINK	1.5 mm, Si ELASTOMER	



DRAWN BY	ADARSHA	<p><b>iWave</b> Embedding Intelligence</p>	<b>iWave System Technologies Private Limited,</b> 7/B, 29th Main, BTM Layout, 2nd Stage, Bangalore-560076, India.	
CHECKED BY	ADARSHA			
APPROVED BY	PRADAP	DRAWING NO: iW-HSKALU-CLASLR-Q7xx		
THIS DRAWING SHEET IS PROPERITORY OF iWAVE SYSTEMS TECHNOLOGIES Pvt. Ltd.		MATERIAL : AS PER LIST	WEIGHT: 66.10 In grams.	
GENARALTOLERANCES :		FINISH : - - - -	SUR AREA: - - - - In sqr.mm	
NOTES: ALL DIMENSIONS ARE IN MM. ROUND OFF ALL SHARP EDGES. SCALE: - -			TITLE: <b>HEAT SINK-Q7 SOM</b>	REV: 5.1    REL: 2.0
			DATE : 14/11/2017	SHEET 2 OF 2

## X-ON Electronics

Largest Supplier of Electrical and Electronic Components

*Click to view similar products for [Heat Sinks](#) category:*

*Click to view products by [iWave](#) manufacturer:*

Other Similar products are found below :

[657-20ABPNE](#) [73452PPBA](#) [A22-4026](#) [120-1873-007](#) [218-40CTE3](#) [231-69PAB-15V](#) [231-75PAB-13V](#) [231-75PAB-15V](#) [253-122ABE-22](#)  
[PSC22CB](#) [295-2](#) [CLP212SG](#) [D10100-28](#) [BDN183CBA01](#) [3-21053-4](#) [TX0506-1B](#) [LAE66A3CB](#) [511-3U](#) [73381PPBA](#) [73403PPBA](#) [8191-](#)  
[E40](#) [510-12M](#) [529802B00000](#) [D10650-40T5](#) [6225B-MT6G](#) [ATS-54310K-C2-R0](#) [648-51AB](#) [657-20ABPESC](#) [679-25AG](#) [FK 212 CB SA](#)  
[FK225 SA L1](#) [241404B91203G](#) [6801G](#) [680-5K](#) [7106DG/TR](#) [SK145 37 5STSTO220](#) [7109DG/TR](#) [TS-11042-CY](#) [S14K35G3S5](#) [8924G](#)  
[7717-133DAP](#) [7717-26DAP](#) [4509](#) [SW25-4G](#) [CLP-215](#) [CLP-207](#) [D20850-40-T2](#) [APF30-30-10CB/A01](#) [V8508E](#) [268-85CTE](#)